

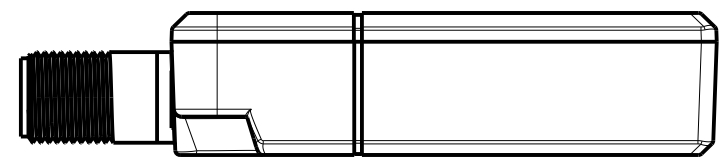
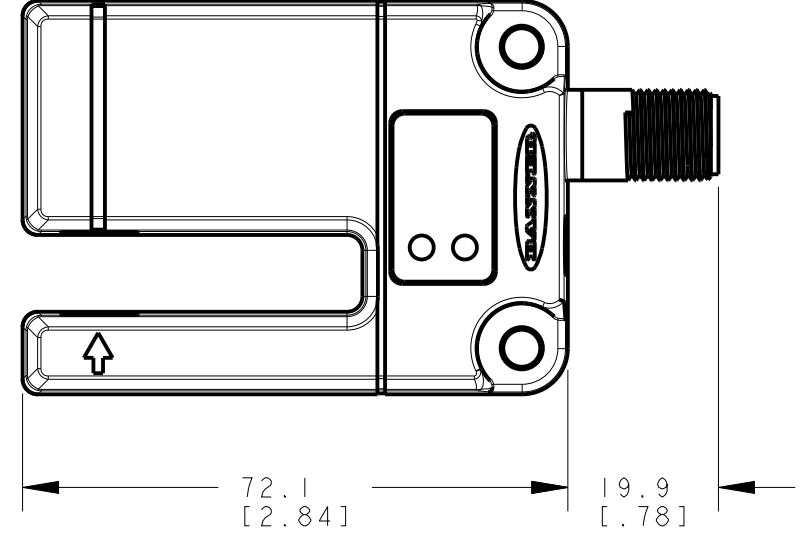
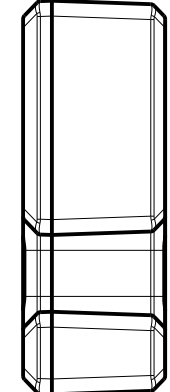
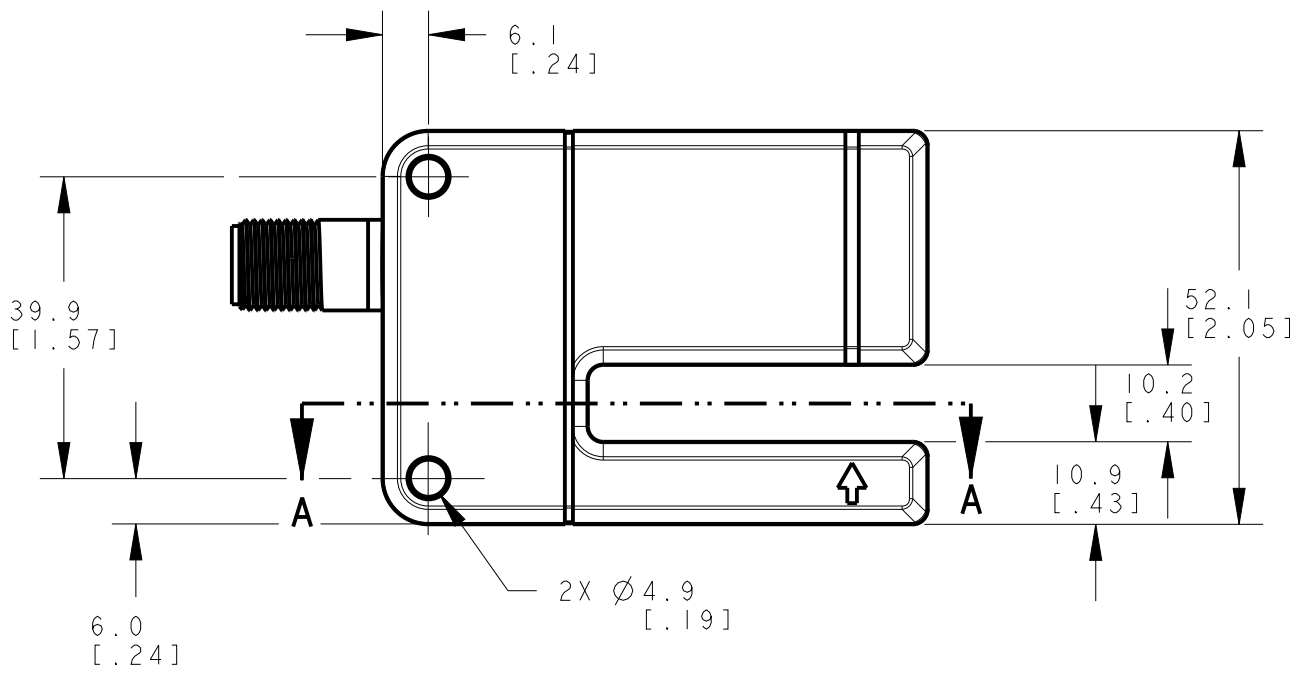
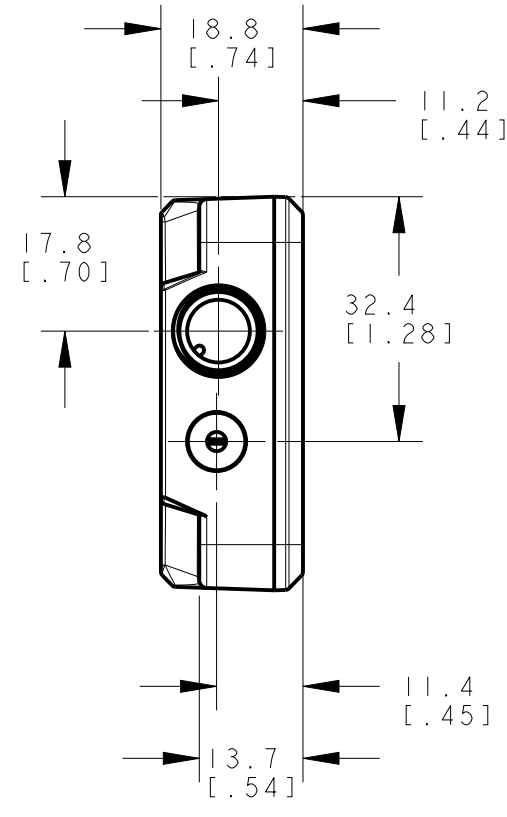
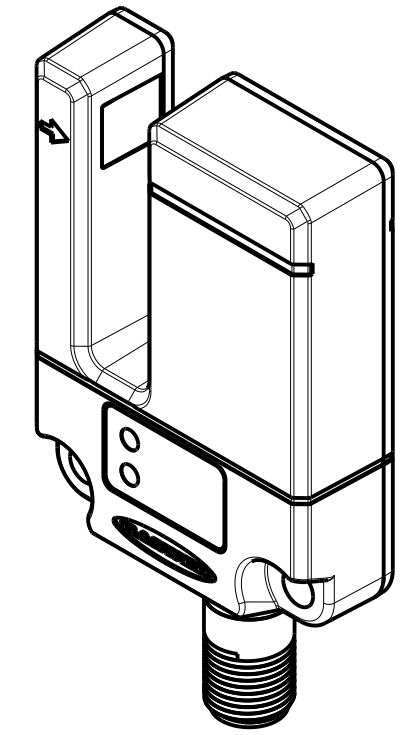
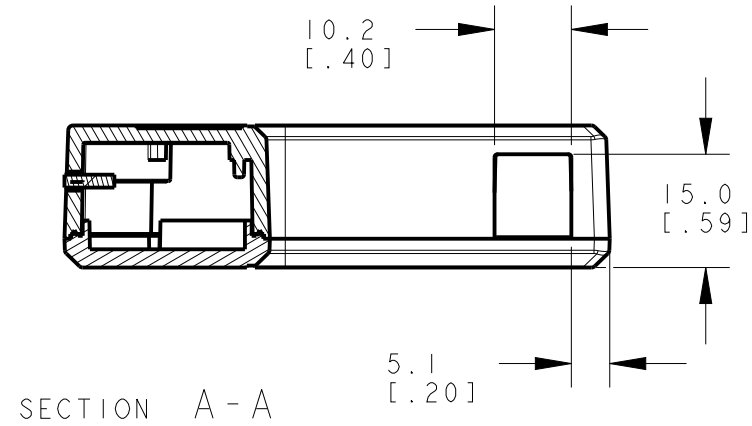
8 7 6 5 4 3 2 1

D

C

B

A



NOTES:
 1. ALL DIMENSIONS ARE MILLIMETERS [INCHES] UNLESS OTHERWISE NOTED.
 2. REFER TO "www.bannerengineering.com" FOR ADDITIONAL DATA AND SPECIFICATIONS.

This drawing is the property of BANNER ENGINEERING CORP. Any use or reproduction, in any form, without prior written permission of Banner is prohibited. © 2015 Banner Engineering Corp.

THIRD ANGLE PROJECTION

BANNER ENGINEERING CORP. www.bannerengineering.com		REV. A
TITLE		SL10 0D
SIZE C	DRAWING NO. 159573	
SCALE 1:1	SHEET 1 OF 1	CREO

8 7 6 5 4 3 2 1