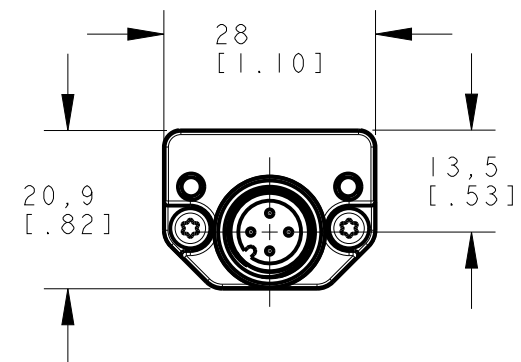
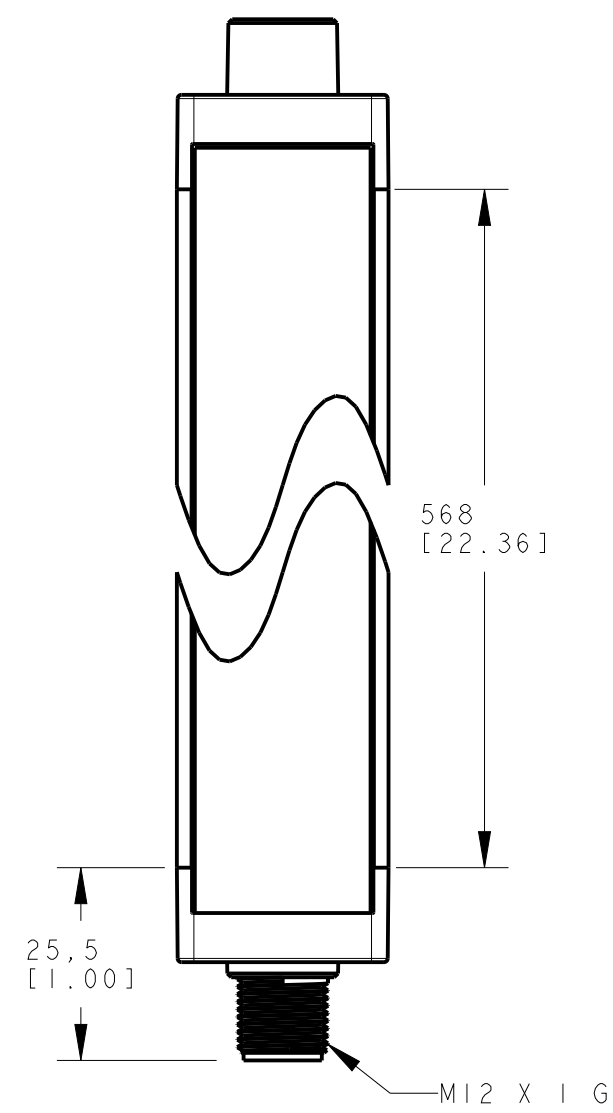
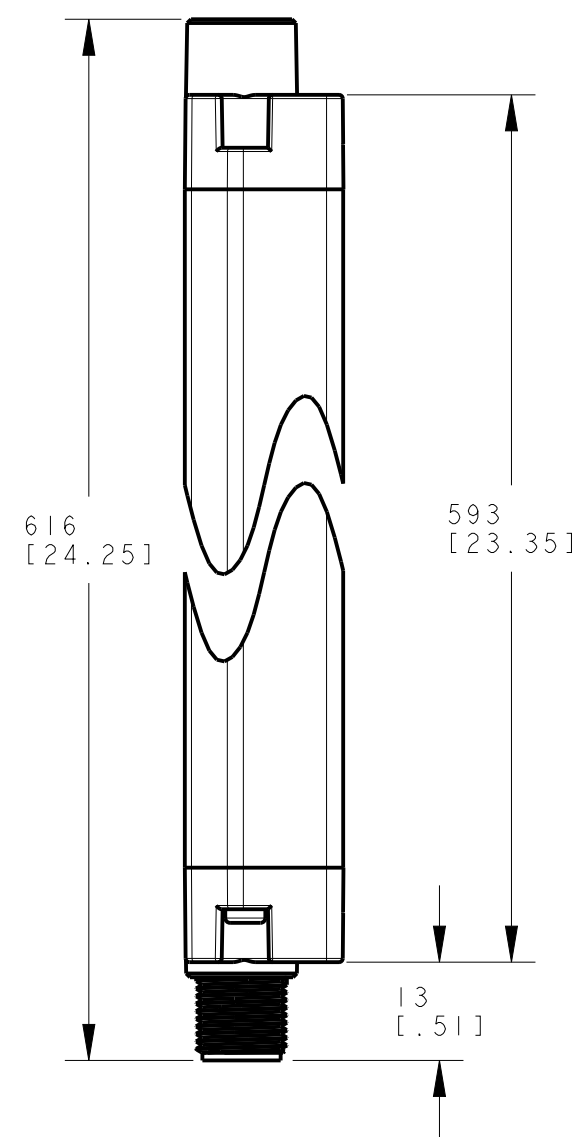


ISOMETRIC VIEW
SCALE 1:4



NOTES:
 1. ALL DIMENSIONS ARE MILLIMETERS [INCHES] UNLESS OTHERWISE NOTED.
 2. REFER TO "www.bannerengineering.com" FOR ADDITIONAL DATA AND SPECIFICATIONS.

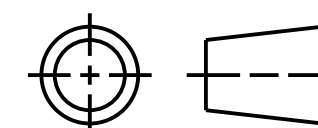
This drawing is the property
 of BANNER ENGINEERING CORP.
 Any use or reproduction,
 in any form, without prior
 written permission of
 Banner is prohibited.
 © 2015 Banner Engineering Corp.



BANNER ENGINEERING CORP.
 www.bannerengineering.com

TITLE
WLS28C570SQ
WEB CAD DRAWINGS 2D/3D

THIRD ANGLE PROJECTION



SIZE C	DRAWING NO. 157898	REV.
SCALE 1:1	SHEET 1 OF 1	