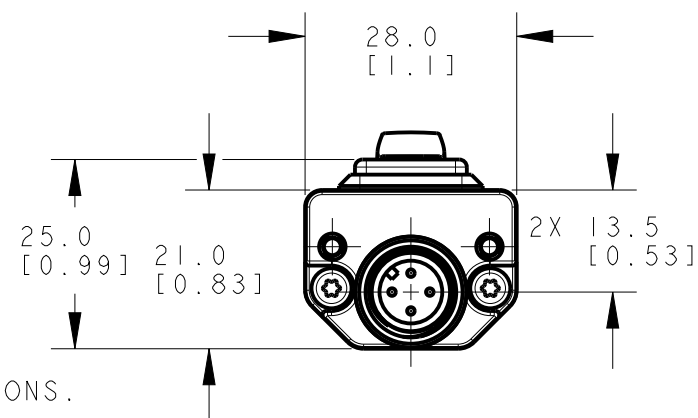
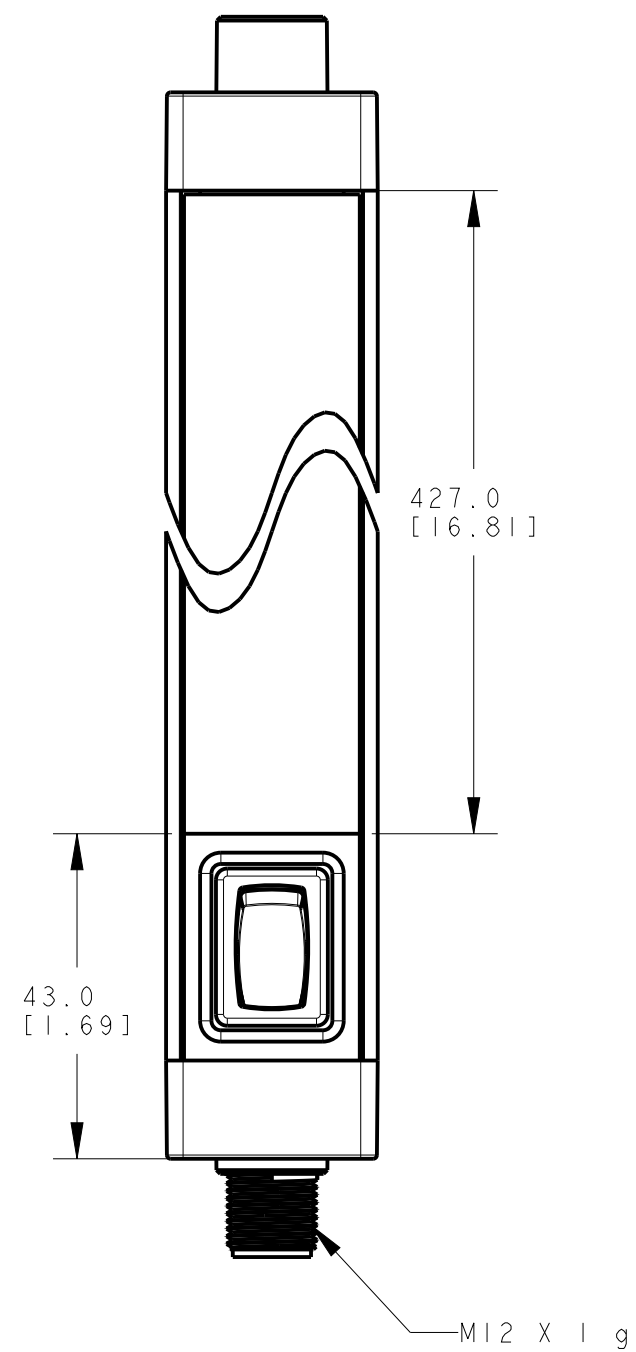
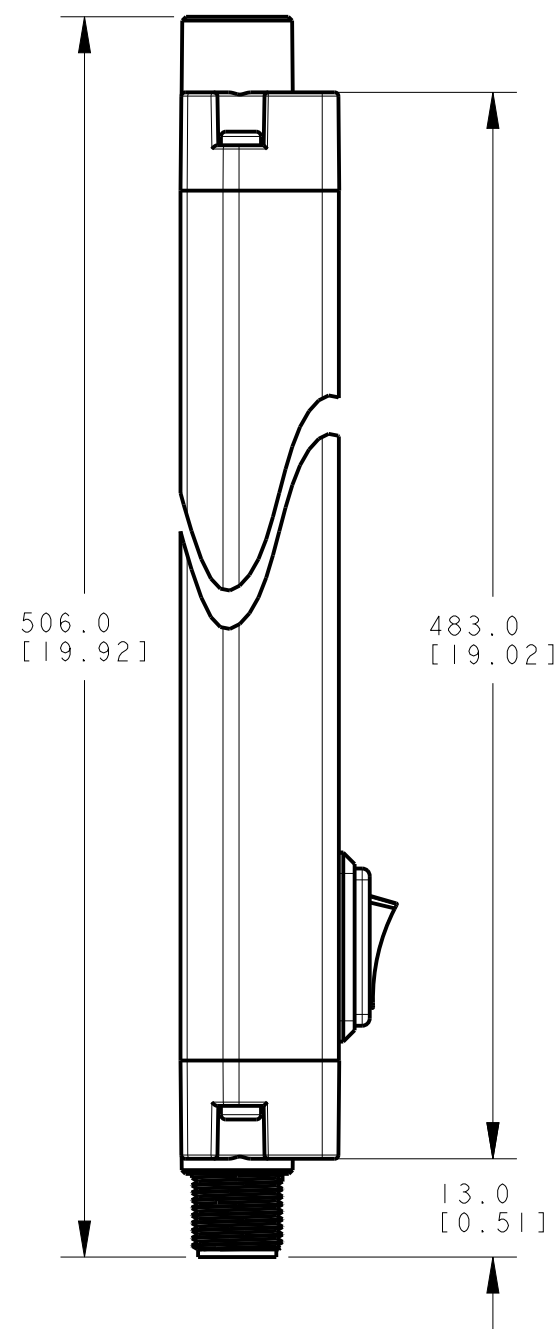


ISOMETRIC VIEW
SCALE 1:2



NOTES:
 1. ALL DIMENSIONS ARE MILLIMETERS [INCHES] UNLESS OTHERWISE NOTED.
 2. REFER TO "www.bannerengineering.com" FOR ADDITIONAL DATA AND SPECIFICATIONS.

This drawing is the property
 of BANNER ENGINEERING CORP.
 Any use or reproduction,
 in any form, without prior
 written permission of
 Banner is prohibited.
 © 2015 Banner Engineering Corp.



BANNER ENGINEERING CORP.
 www.bannerengineering.com

TITLE

WLS28C430XPB0

SIZE C

DRAWING NO.

157165

REV. B

SCALE 1:1

SHEET 1 OF 1

CREO