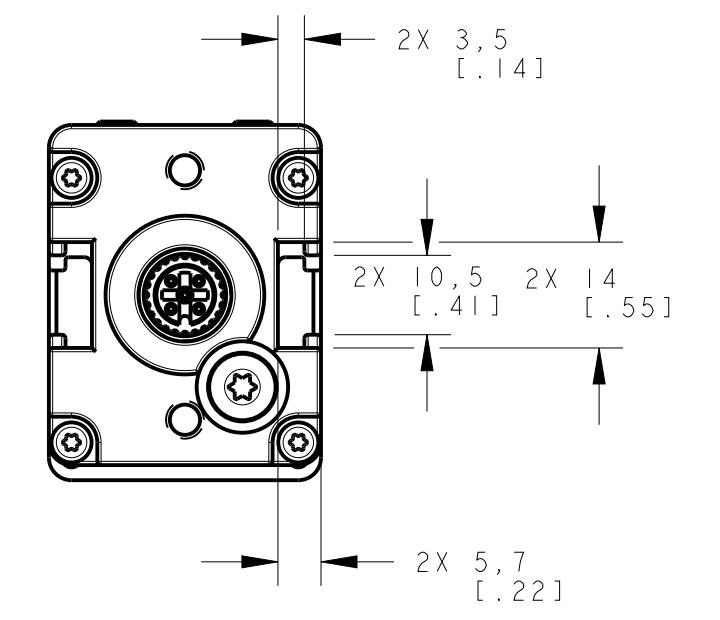
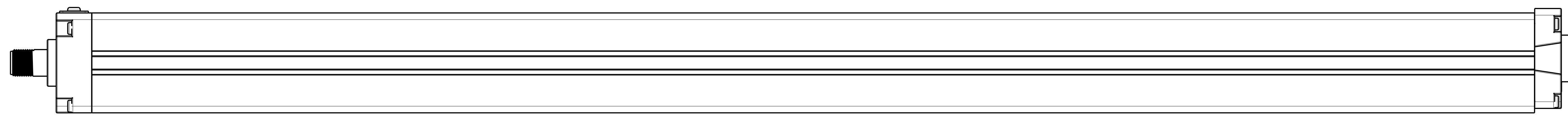
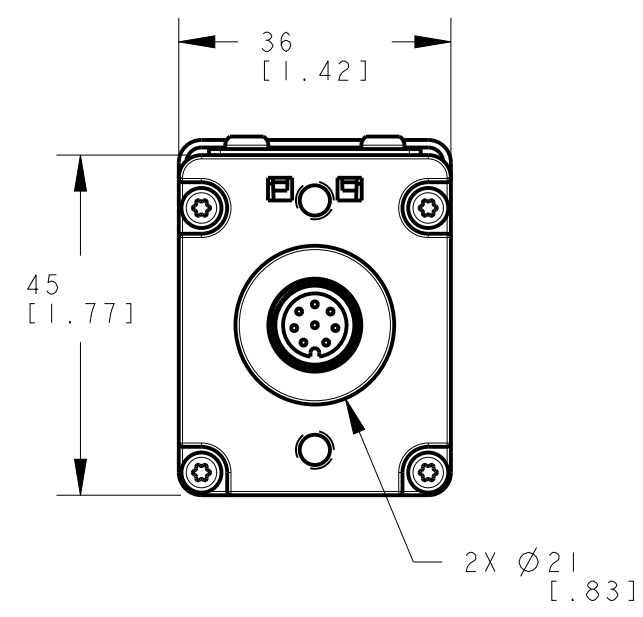
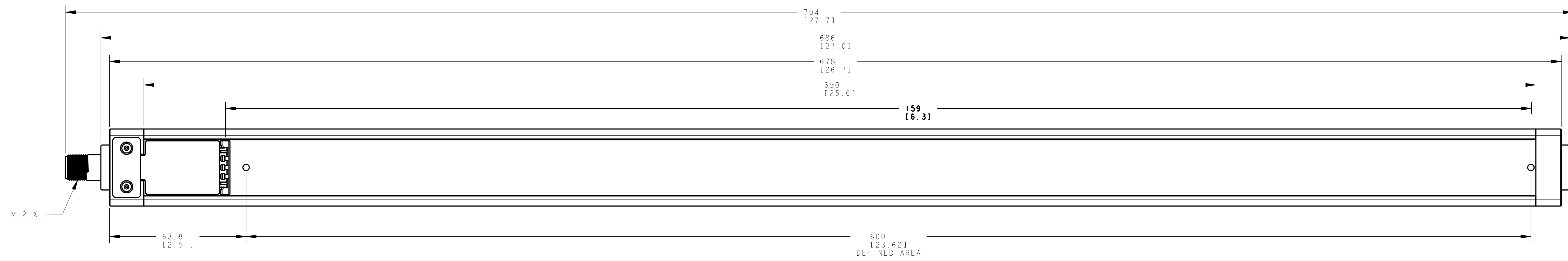


ISOMETRIC VIEW



NOTES:  
 1. ALL DIMENSIONS ARE MILLIMETERS [INCHES] UNLESS OTHERWISE NOTED.  
 2. REFER TO "www.bonnerengineering.com" FOR ADDITIONAL DATA AND SPECIFICATIONS.

This drawing is the property of BANNER ENGINEERING CORP. Any use or reproduction, in any form, without prior written permission of Banner is prohibited.  
 © Banner Engineering Corp.

**BANNER** BANNER ENGINEERING CORP.  
 www.bonnerengineering.com

TITLE: EASR6000  
 WEB CAD DRAWINGS 2D/3D

SIZE: E DRAWING NO: 145445 REV:  
 SCALE: 1:1 SHEET 1 OF 1

THIRD ANGLE PROJECTION