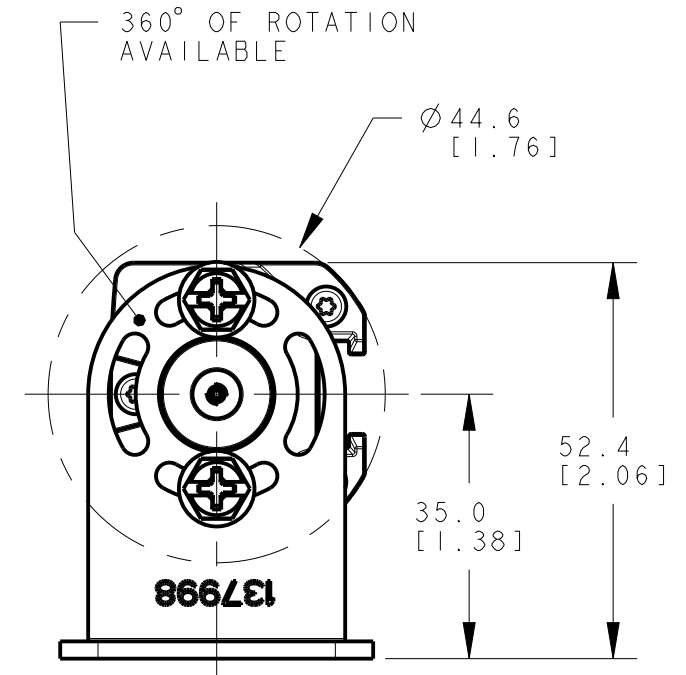
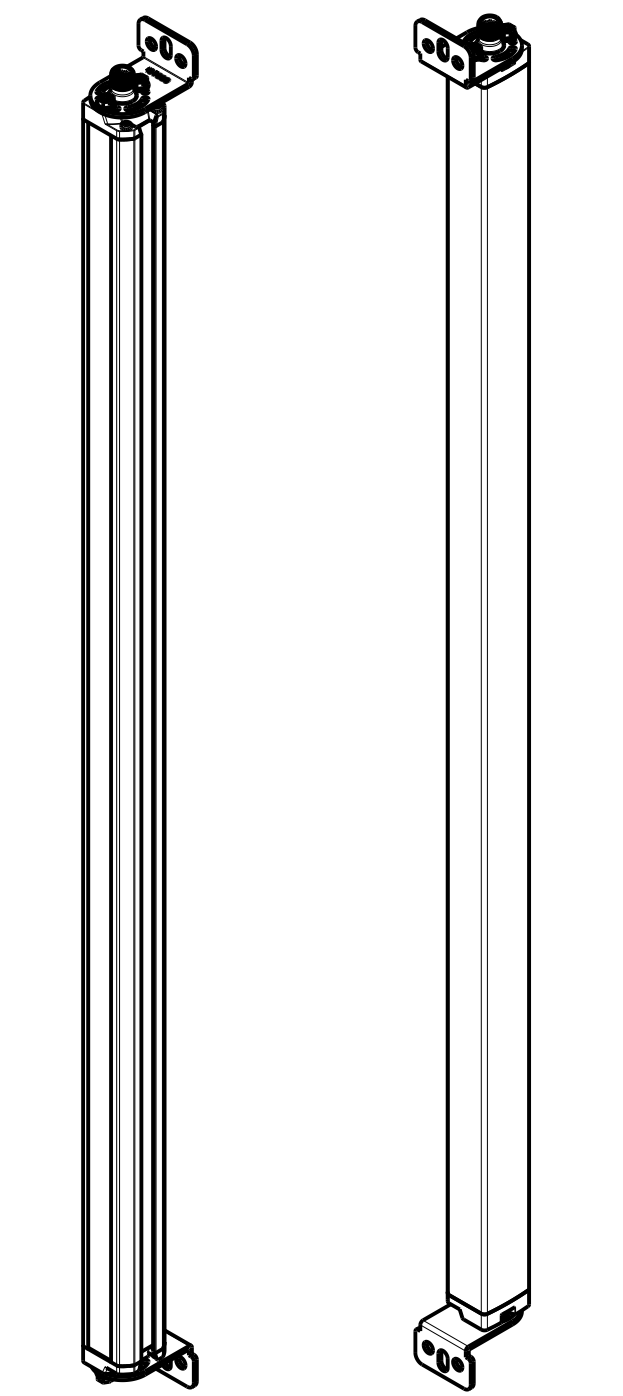


4X M3 SCREW



NOTES:
 1. ALL DIMENSIONS ARE MILLIMETERS [INCHES] UNLESS OTHERWISE NOTED.
 2. REFER TO "www.bannerengineering.com" FOR ADDITIONAL DATA AND SPECIFICATIONS.



ISOMETRIC VIEW SCALE 1:4
 ISOMETRIC VIEW SCALE 1:4

This drawing is the property of BANNER ENGINEERING CORP. Any use or reproduction in any form, without prior written permission of Banner is prohibited. © 2015 Banner Engineering Corp.

BANNER BANNER ENGINEERING CORP.
 www.bannerengineering.com

TITLE
EZ-SCREEN HD TYPE 2, LS2HDE 750mm OD

THIRD ANGLE PROJECTION

SIZE D	DRAWING NO. 141914	REV. A
SCALE 1:1	SHEET 1 OF 1	

CRO