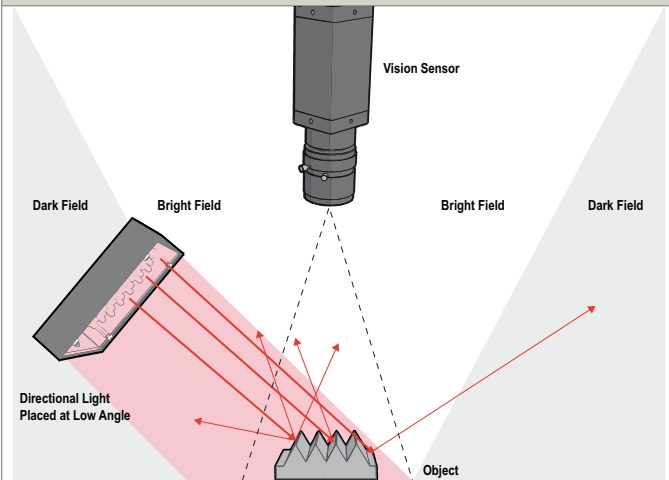
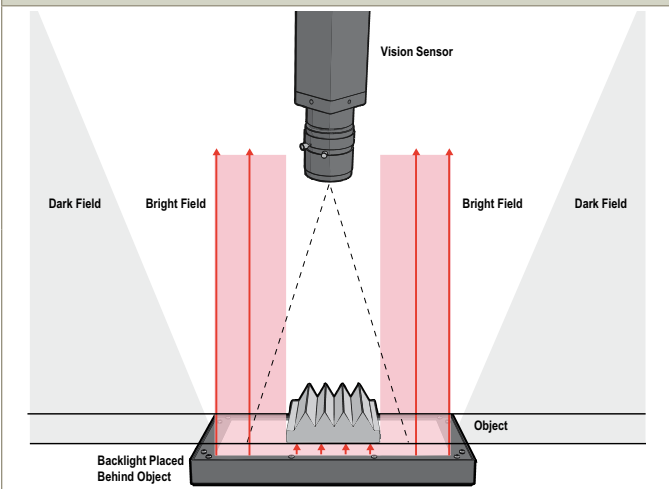


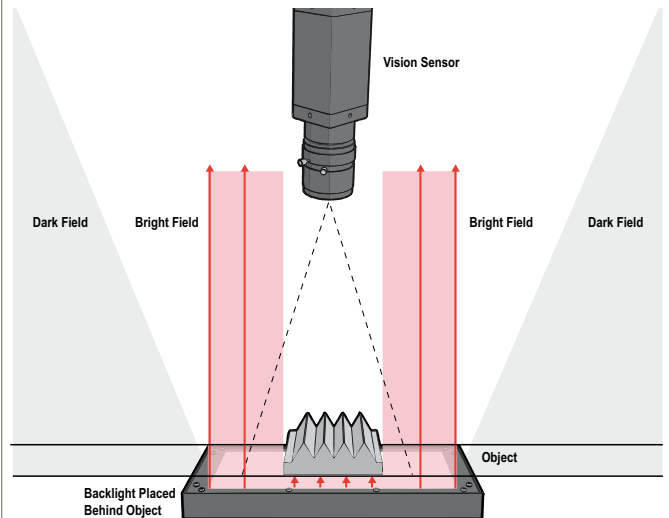
Dark-Field: illuminates object with *indirect* light.



Bright-Field: Illuminates object with *direct* light.

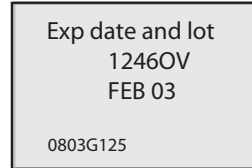


Backlight: transmits light from behind the object.

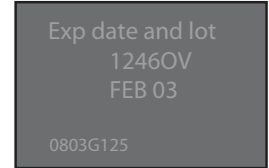


Illumination: most effective way to optimize contrast.

Printing on Glossy Surface



Bright-Field
Diffuse Light



Dark-Field
Low-Angle Light

Raised Lettering



Dark-Field
Low-Angle Light



Bright-Field
Diffuse Light

Part Fitting Profile



Bright-Field
Diffuse Light



Backlight