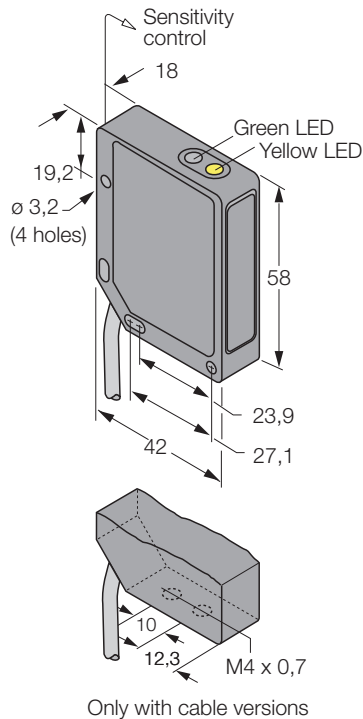


## QMT42 series Long-range diffuse sensors

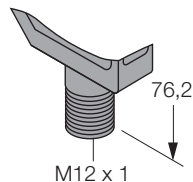


### Dimensions [mm]

#### ● Cable

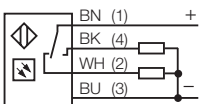


#### ● Connector

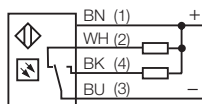


### Wiring

pnp complementary



npn complementary



#### Wave length

Infrared

880 nm

#### Adjustment

sensitivity

#### Supply

Supply voltage

10...30 VDC

Ripple  $V_{pp}$

≤ 10 %

No load current

< 40 mA

Delay upon power up

100 ms

#### Protection

reverse polarity

short-circuit (pulsed)

#### Output

Complementary

light and dark operate

Continuous load current

≤ 100 mA

Overload trip point

≥ 130 mA, typical at 20 °C

Switching frequency

500 Hz

#### Material

Housing

zinc die-cast (black finish)

Lens

acrylic

Protection class (DIN 40050)

IP67

Temperature range

-20...+55 °C

Cable

2 m, PVC 4 x 0,5 mm<sup>2</sup>

Connector

eurofast®

#### Indicator LEDs

Yellow

light sensed

Green

power-on

Yellow flashing

low gain

Green flashing

output overload

### Accessories

#### Brackets

SMB42L 30 483 43

stainless steel bracket

SMB42F 30 483 44

stainless steel bracket

SMB42U 30 483 45

stainless steel bracket

SMB30SK 30 525 23

swivel mounting bracket

#### Connectors

RK4.4T-2 66 332 00

straight type

WK4.4T-2 66 730 00

right-angled type

# Photoelectric sensors

## QMT42 series Long-range diffuse sensors

Excess gain curve:  
Excess gain in relation to the distance

	<i>Max. range</i>	<i>Light source</i>	<i>Output function</i>	<i>Connection</i>	<i>Type</i>	<i>Ident number</i>
<p>— Diffuse</p>	6 m	IR	pnp	cable	<b>QMT42-VP6-DX</b>	30 568 96
	6 m	IR	pnp	connector	<b>QMT42-VP6-DXQ</b>	30 568 97
	6 m	IR	npn	cable	<b>QMT42-VN6-DX</b>	30 568 94
	6 m	IR	npn	connector	<b>QMT42-VN6-DXQ</b>	30 568 95

Subject to changes without notice • Edition 09.99 • P/N ED052I9A



**IMPORTANT SAFETY WARNING !** These sensors do NOT include the self-checking redundant circuitry necessary to allow their use in personnel safety applications. A sensor failure or malfunction can result in either an energised or de-energised output condition. These products should not be used as sensing devices for personnel safety.