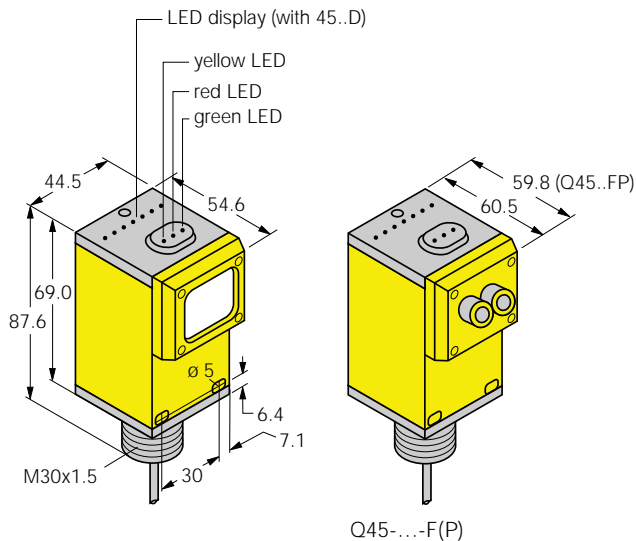




## Q45 series AC operation with solid state output

### Dimensions [mm]



Screws M30, SW 36, included

\* 56.4 (Q45...LP)

\* 61.5 (Q45...CV)

### Wave length

IR (infrared)	880 nm
Red	680 nm
	660 nm (Q45..FP)

### Adjustment

sensitivity  
light/dark operate

### Timing functions

0...15 s (only with 45LM5/8..)

### Supply

Supply voltage	90...250 VAC
No load current	≤ 20 mA
Delay upon power up	100 ms

### Protection

short-circuit (resettable)

### Output

Continuous load current	≤ 200 mA (300 mA up to 50 °C)
Switching frequency	250 Hz

### Material

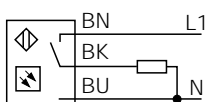
Housing	PBT
Lens	acrylic
Cover	Lexan® (PC)
Protection class (DIN 40050)	IP 67
Temperature range	-40...+70 °C
Cable <sup>1)</sup>	2 m, PVC 3 x 0.34 mm <sup>2</sup> 2 m, PVC 2 x 0.5 mm <sup>2</sup> (Q45...E)

### Indicator LEDs

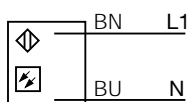
Red	light sensed AID (Alignment Indicat. Device)
Green	power-on
Green flashing	output overload
Yellow	output load status
7-segment red bargraph display	signal strength (only with 45LM..D)

### Wiring

All except emitter



emitter



### Accessories

#### Plug-in modules for timing functions and LED-display

45LM5	30 354 95	on- and off-delay
45LM8	30 354 96	one-shot
45LM5D	30 365 91	on- and off-delay, display
45LM8D	30 365 93	one-shot, display
45LMD	30 354 97	display

<sup>1)</sup> minifast®-connector on request

# Photoelectric sensors

## Q45 series AC operation with solid state output

Excess gain curve:  
Excess gain in relation to the distance

	Max. range - fibre type	Light source	Output	Connection	Type	Ident number
<b>Retro-reflective</b> 	0.08...9 m	red	N.O. <sup>1)</sup>	cable	<b>Q45-BW22-LV</b>	30 368 41
	0.15...6 m	red	N.O. <sup>1)</sup>	cable	<b>with polarising filter</b> <b>Q45-BW22-LP</b>	30 368 40
<b>Diffuse</b> 	45 cm 1.8 m	IR IR	N.O. <sup>1)</sup> N.O. <sup>1)</sup>	cable cable	<b>Q45-BW22-D</b> <b>Q45-BW22-DL</b>	30 368 38 30 368 39
<b>Convergent</b> 	3.8 cm 10 cm	red red	N.O. <sup>1)</sup> N.O. <sup>1)</sup>	cable cable	<b>Q45-BW22-CV</b> <b>Q45-BW22-CV4</b>	30 368 45 30 368 49
<b>Opposed</b> 	60 m	IR IR	- N.O. <sup>1)</sup>	cable cable	<b>Q45-2-E</b> <b>Q45-BW22-R</b>	30 354 42 30 368 42
<b>Fibre-optic</b> 	glass plastic	IR red	N.O. <sup>1)</sup> N.O. <sup>1)</sup>	cable cable	<b>Q45-BW22-F</b> <b>Q45-BW22-FP</b>	30 368 43 30 368 44

Excess gain curves for fibre-optics: (1) Q45...F with IT23S, (2) ...F with BT23S, (3) ...FP with PIT46U, (4) ...FP with PBT46U

<sup>1)</sup> Light- and dark operate switchable

Subject to changes without notice • Edition 12.98/1 P/N ED034L8A



**IMPORTANT SAFETY WARNING !** These sensors do NOT include the self-checking redundant circuitry necessary to allow their use in personnel safety applications. A sensor failure or malfunction can result in either an energised or de-energised output condition. These products should not be used as sensing devices for personnel safety.