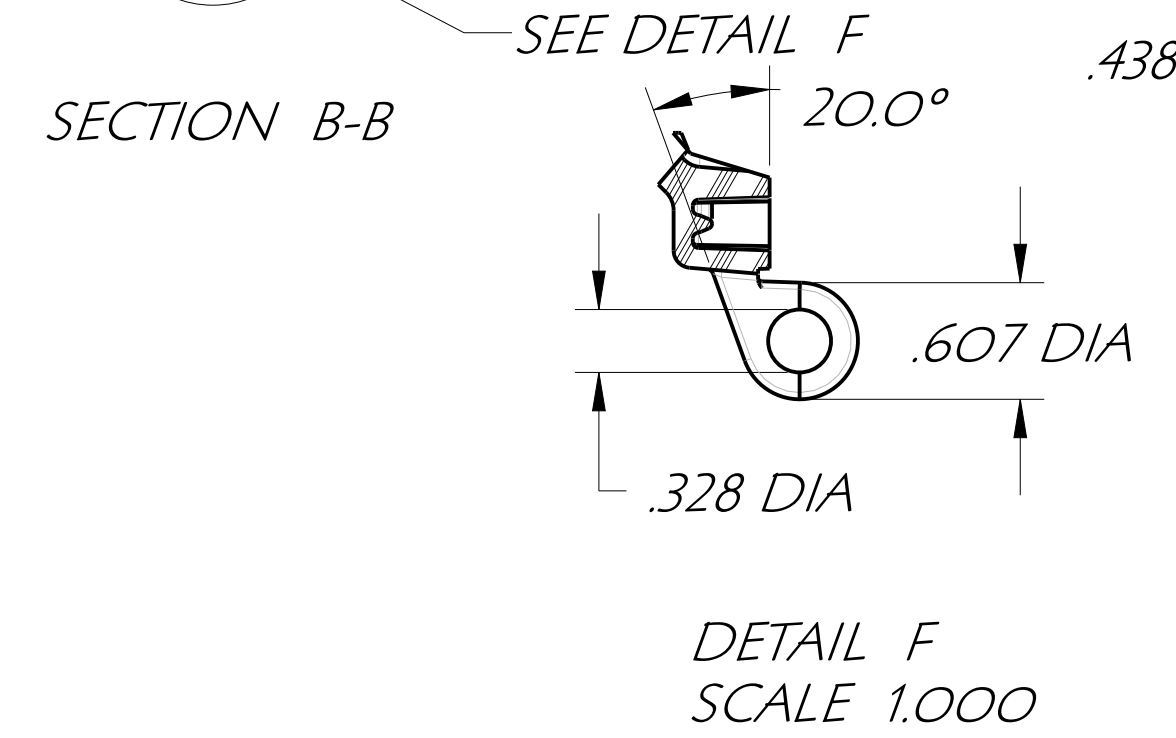
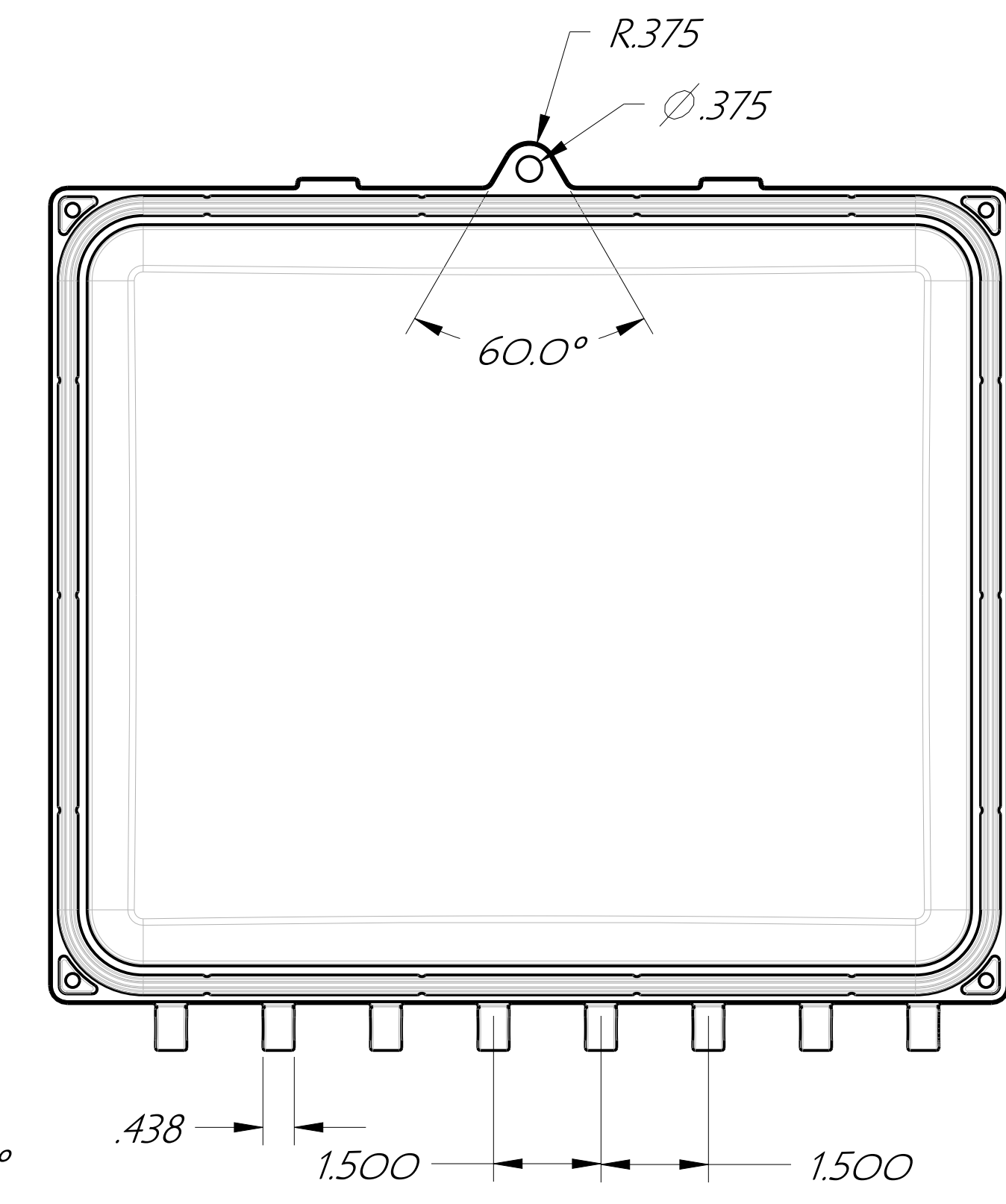
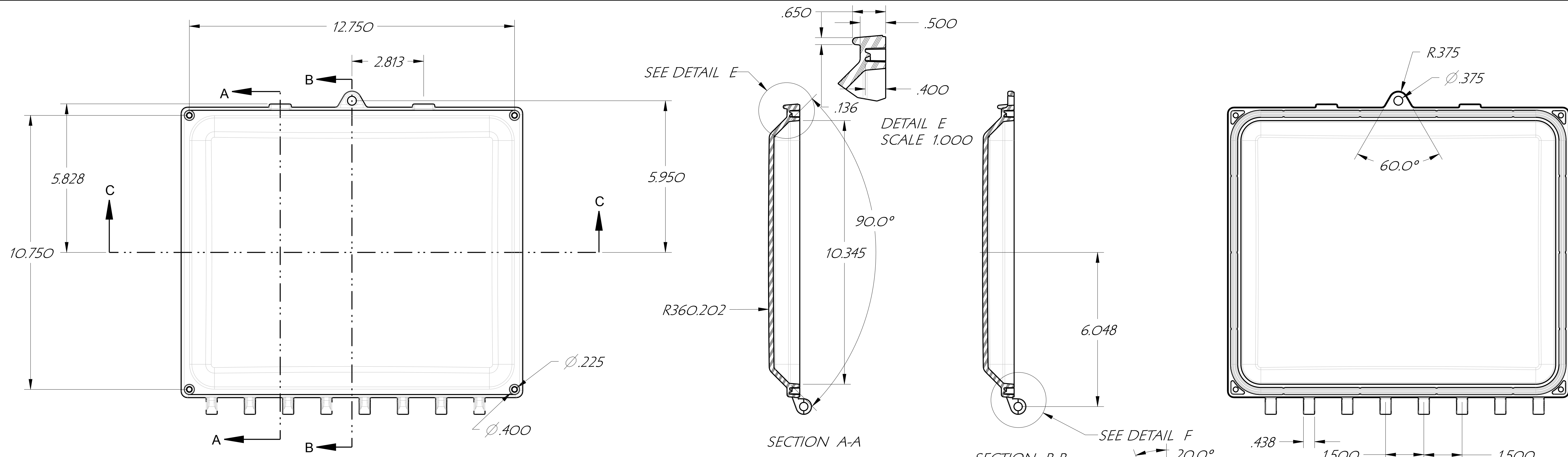
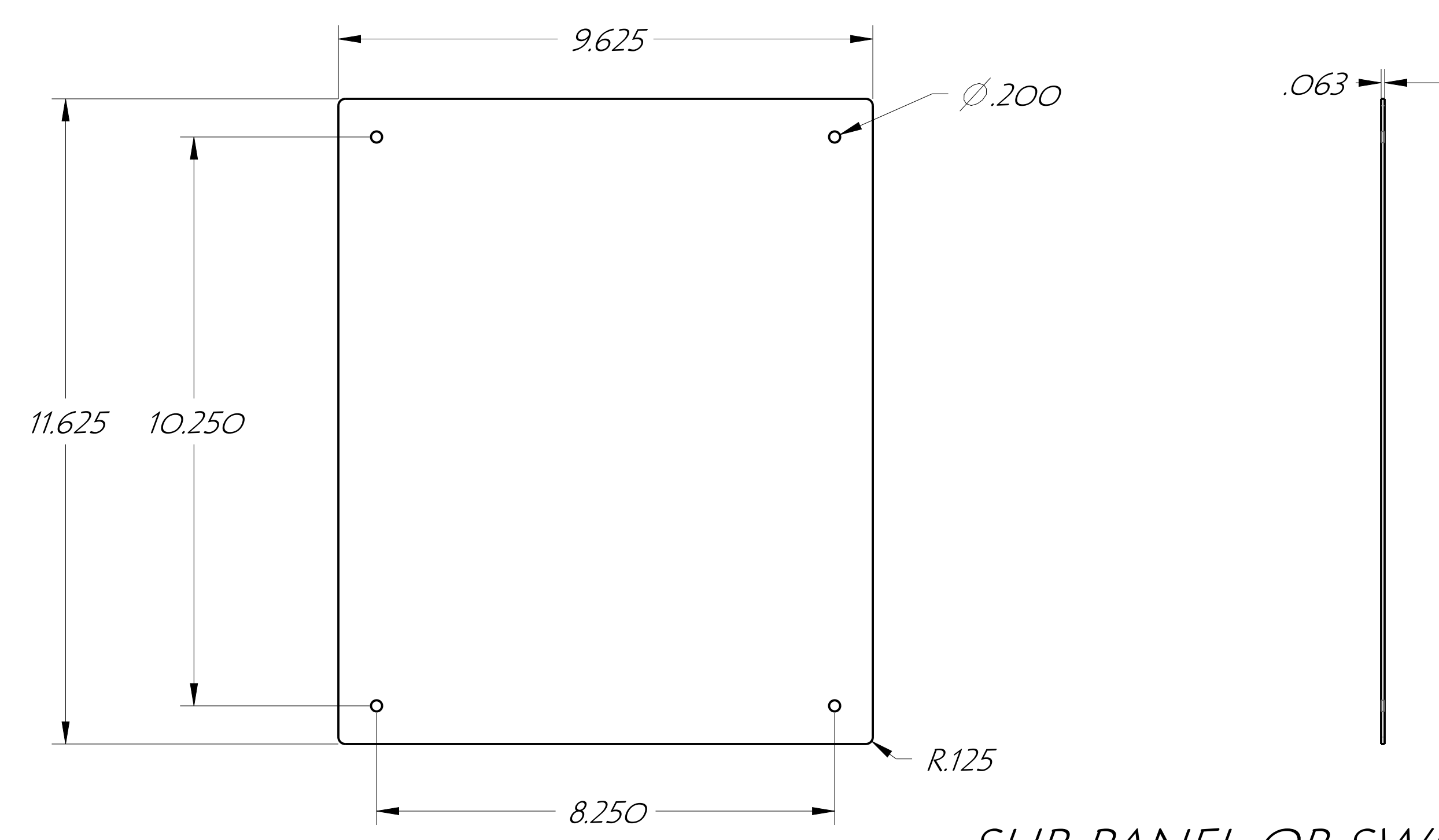
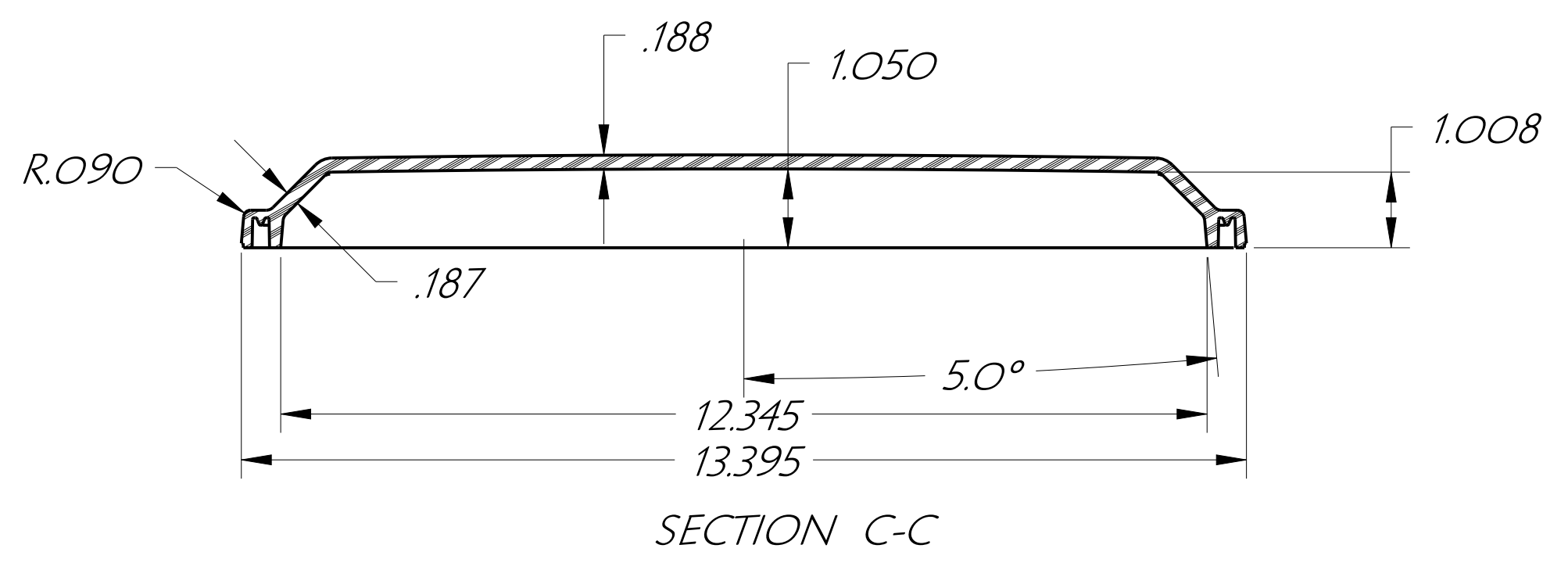


12 X 10 ENCLOSURE

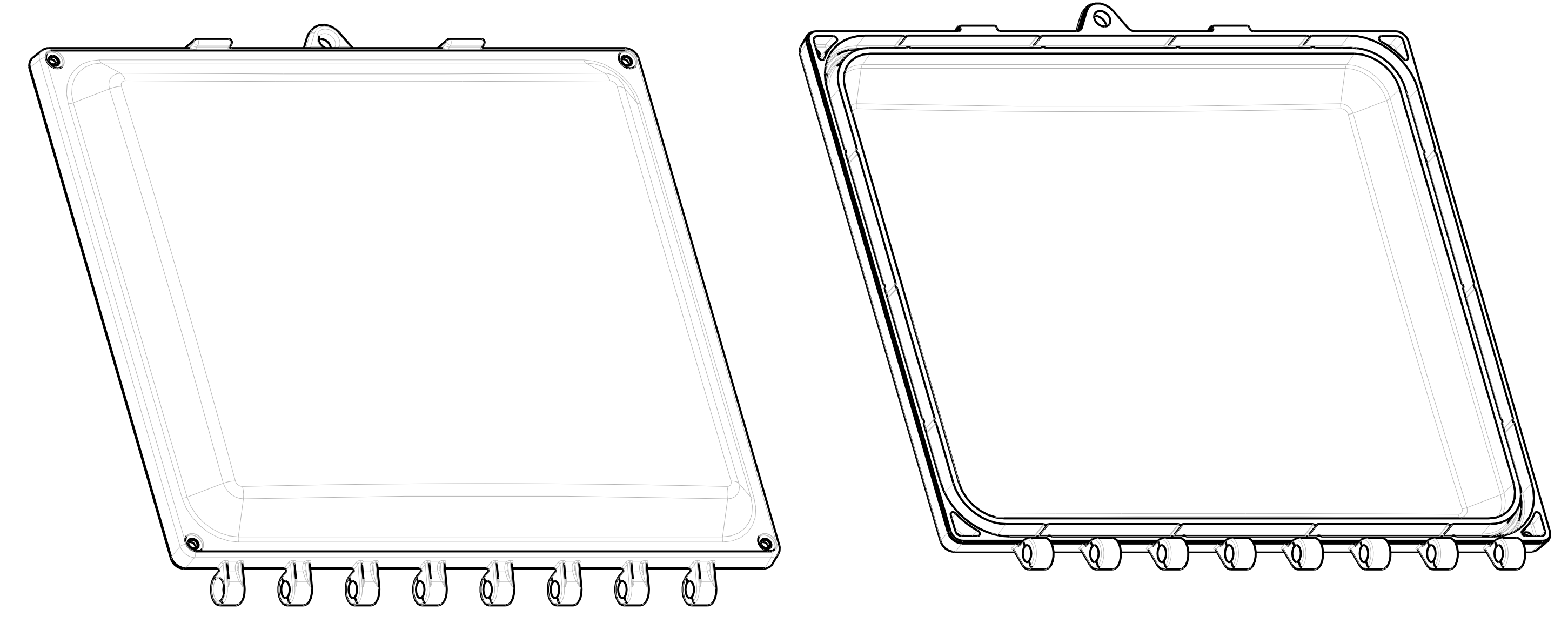
DES. C.R.W.	DRN. C.R.W.	CHKD.		ATTABOX		CUSTOMER	
APP. DATE 10/16/07	SCALE			PART NAME ENCLOSURE & LID	PART NO.	PART MATL POLYCARBONATE	
TOLERANCES: UNLESS OTHERWISE SHOWN				2 PLACE DEC. ±.010	FRAC. ±1/64	SHRINK .006/IN.	SHEET OF
				3 PLACE DEC. ±.005			
				4 PLACE DEC. ±.0005			
				TOOL DESC. SINGLE CAVITY INJECTION MOLD			



12 X 10 LID

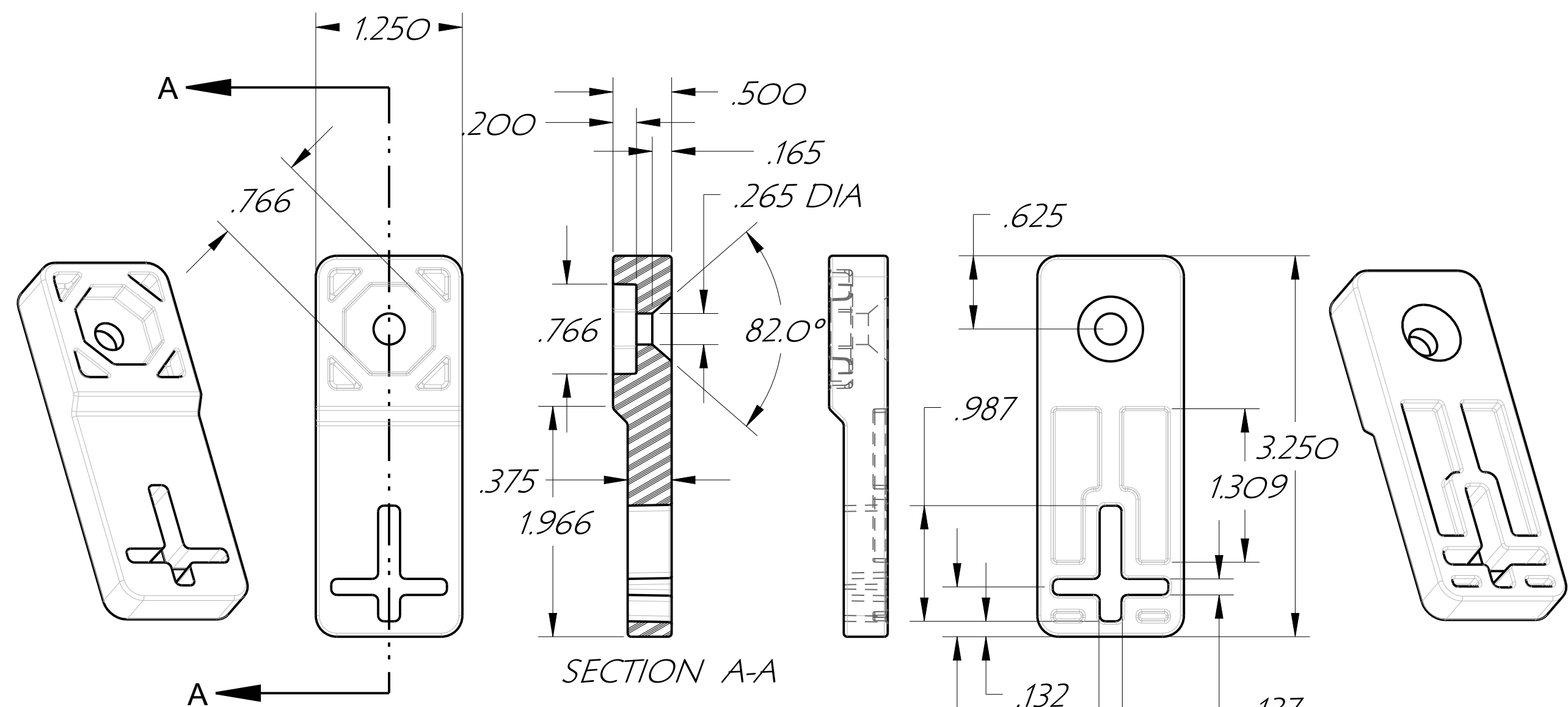


SUB PANEL OR SWING PANEL

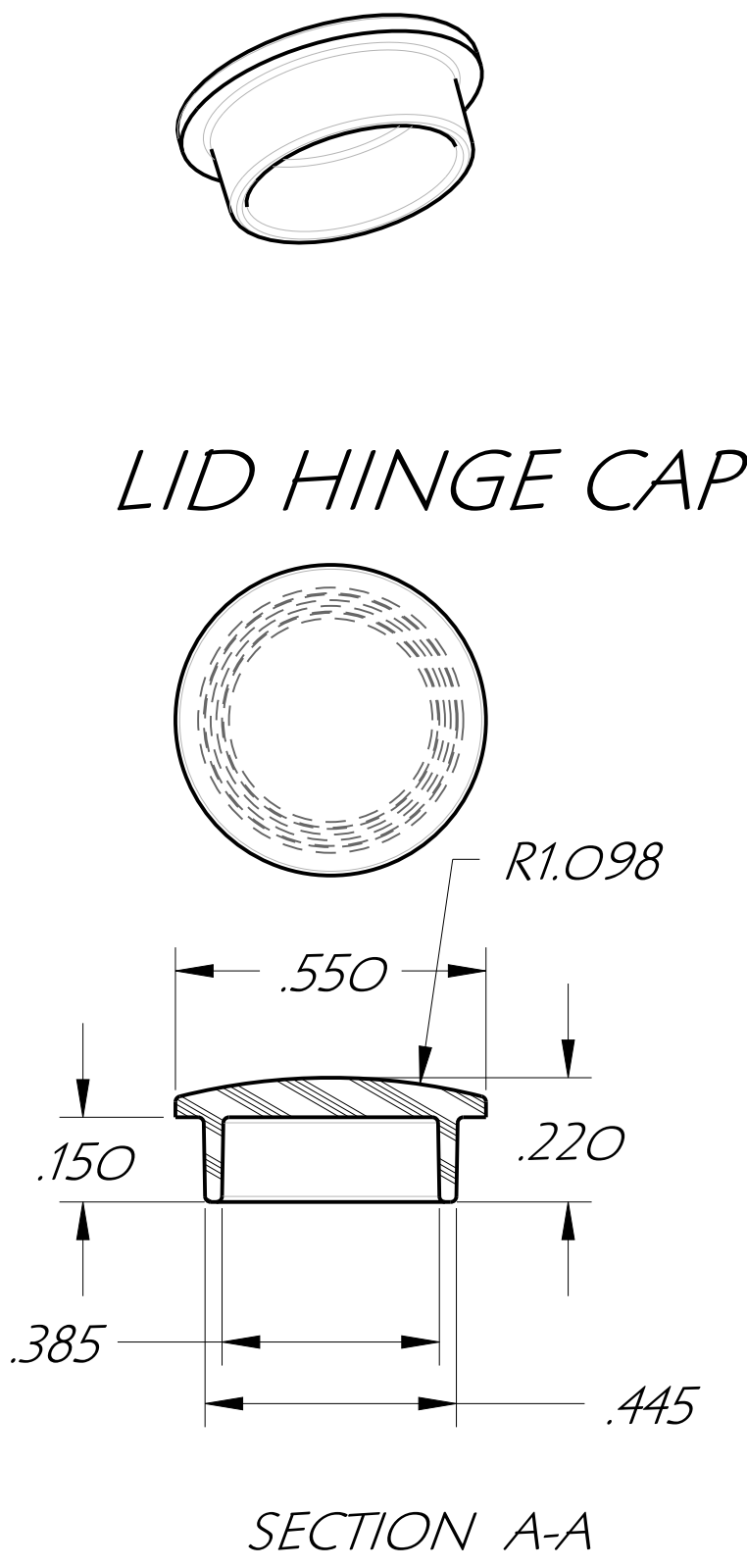


DES. C.R.W.	DRN. C.R.W.	CHKD.		CUSTOMER
APP. DATE 10/16/07	SCALE			
TOLERANCES:	2 PLACE DEC. ±.010	FRAC.		
	3 PLACE DEC. ±.005	±.164		
UNLESS OTHERWISE SHOWN	4 PLACE DEC. ±.0005			
PART NAME ENCLOSURE & LID				PART NO.
TOOL DESC. SINGLE CAVITY INJECTION MOLD				SHRINK .006/IN.
				PART MATL POLYCARBONATE
				SHEET OF

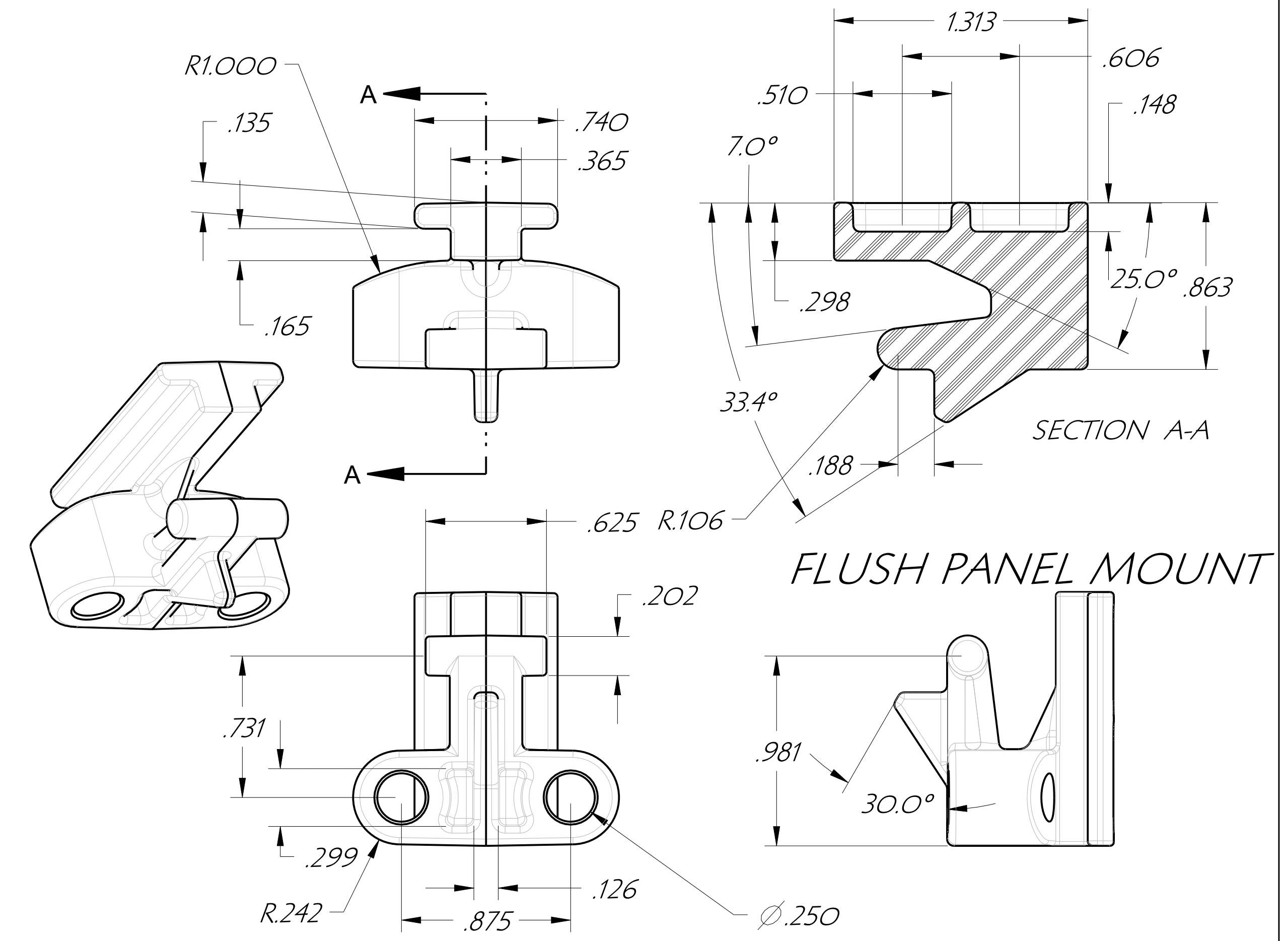




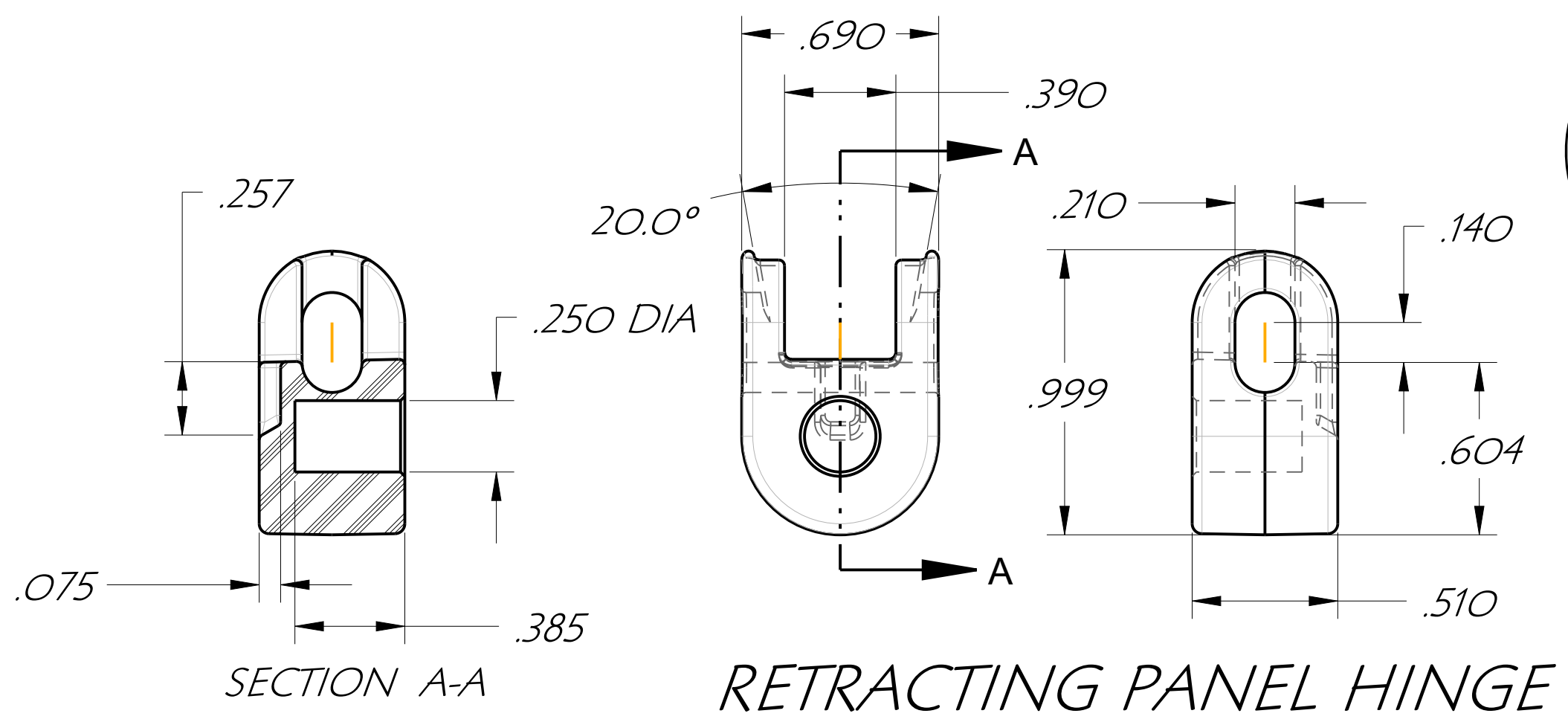
ADJUSTABLE FOOT MOUNT



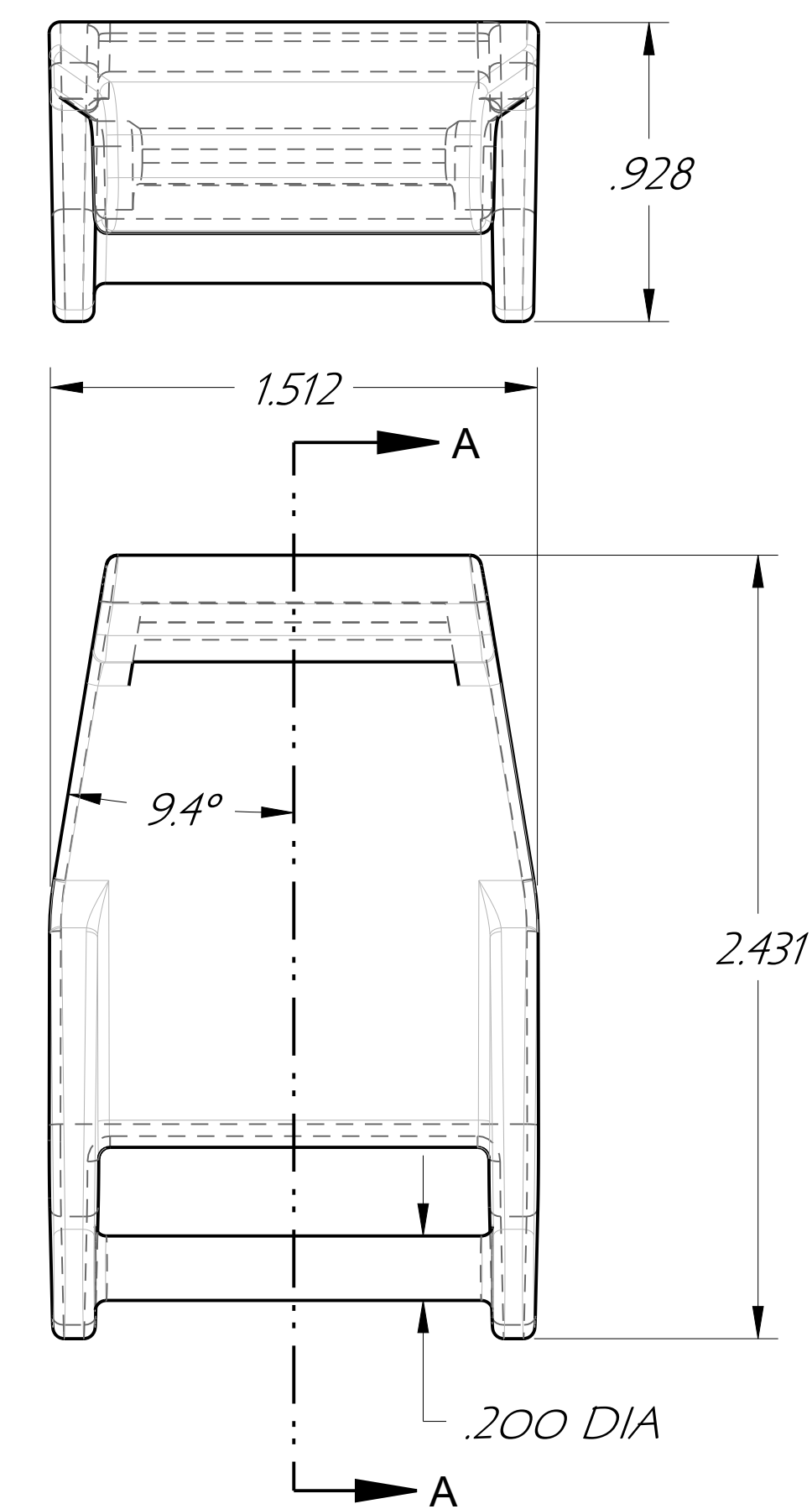
LID HINGE CAP



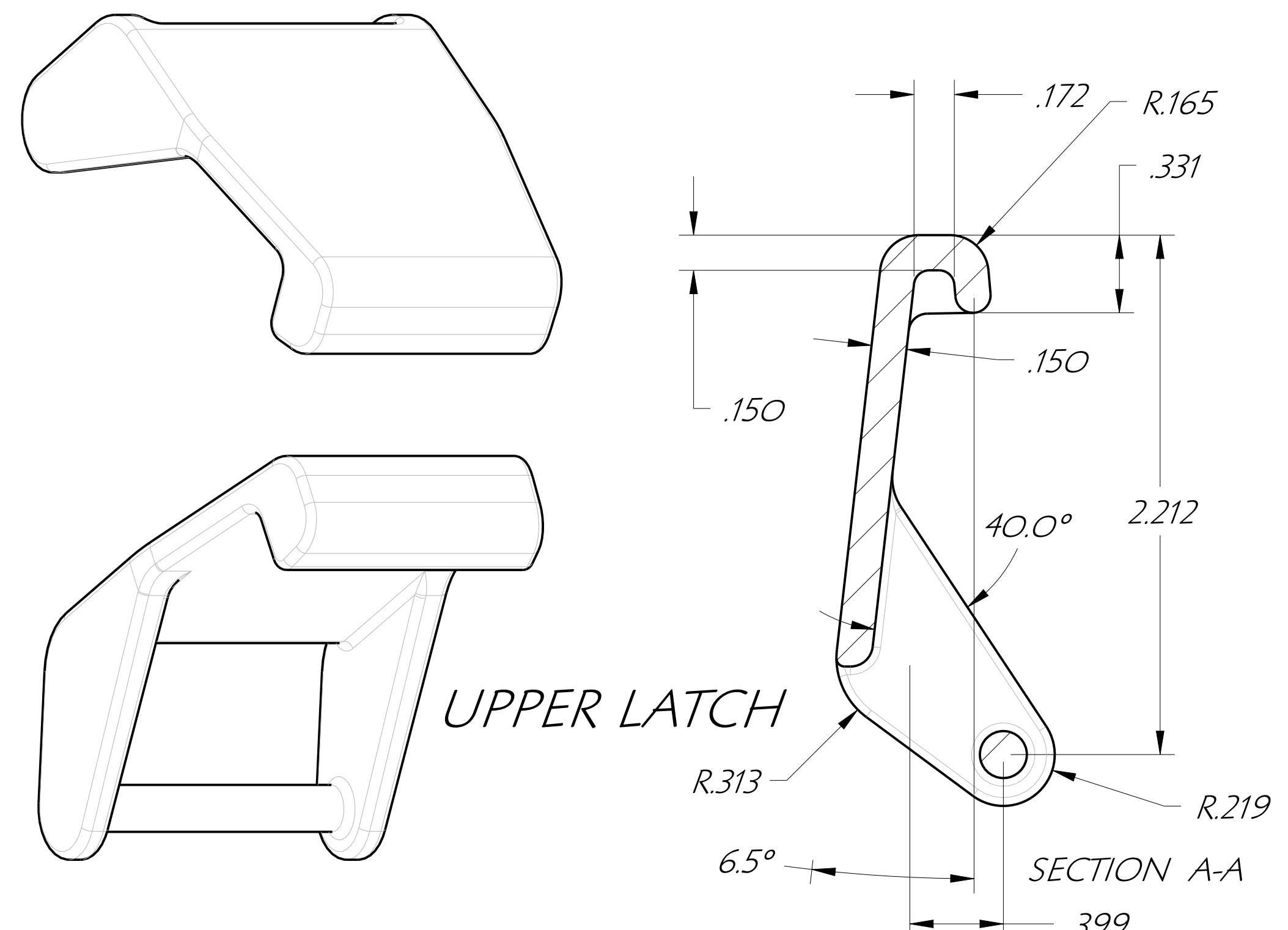
FLUSH PANEL MOUNT



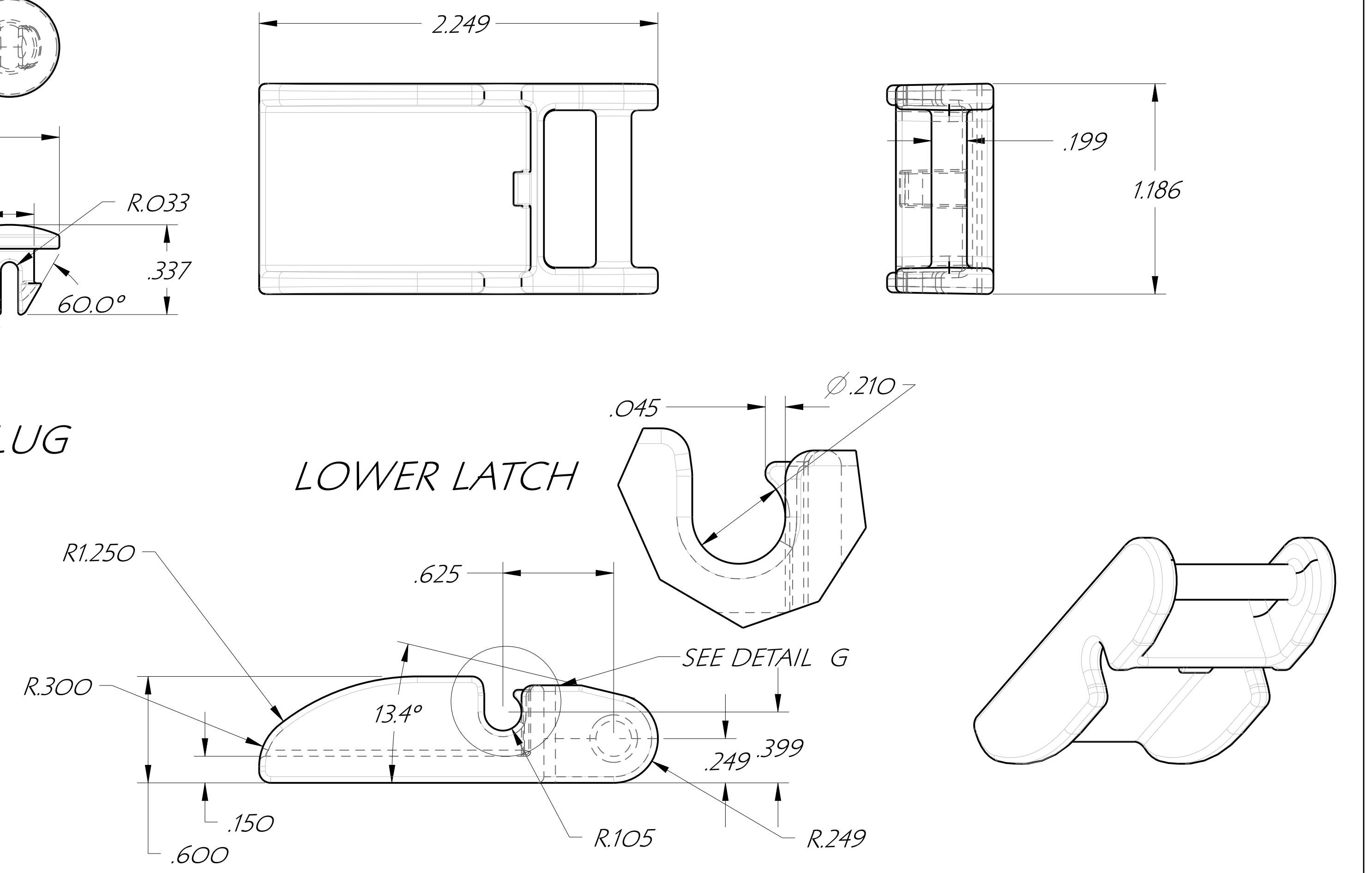
RETRACTING PANEL HINGE



PLUG



UPPER LATCH



LOWER LATCH

DES. C.R.W.	DRN. C.R.W.	CHKD.	CUSTOMER
APP. DATE 10/16/07	SCALE		
TOLERANCES:	2 PLACE DEC. ±.010	FRAC.	PART NAME ENCLOSURE & LID
UNLESS OTHERWISE SHOWN	3 PLACE DEC. ±.005	±.1/64	PART NO.
	4 PLACE DEC. ±.0005		PART MATL POLYCARBONATE
			SHRINK .006/IN.
			SHEET OF