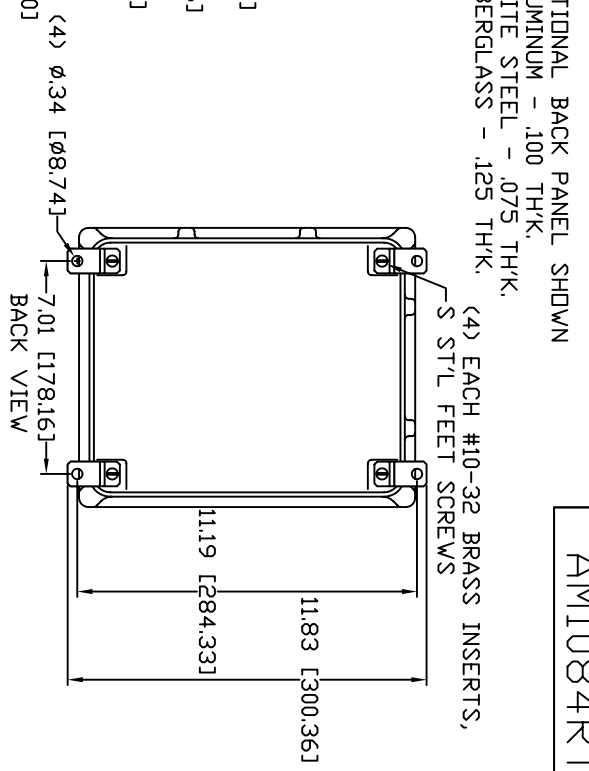
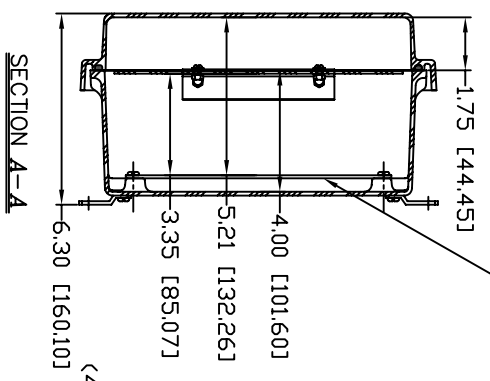
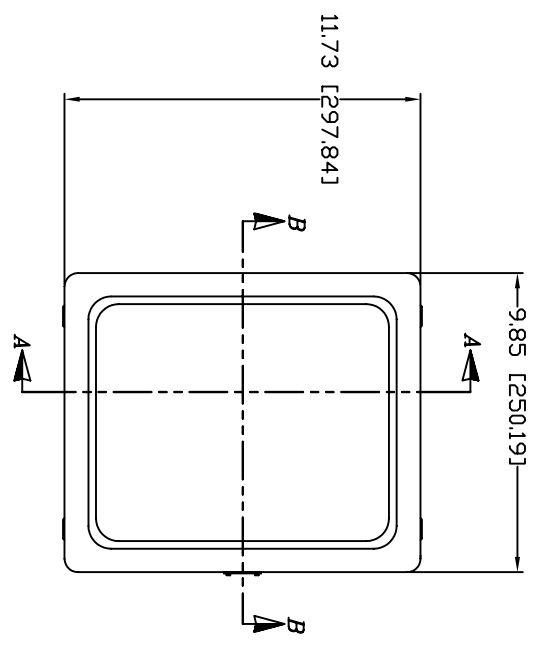
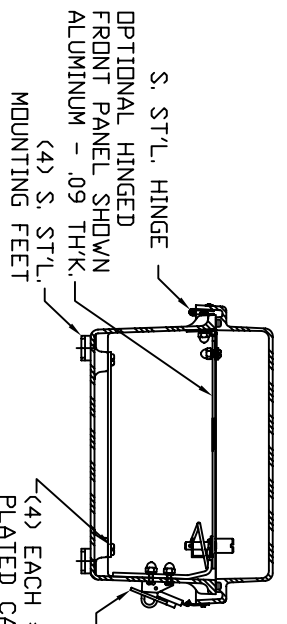


AM1084RT

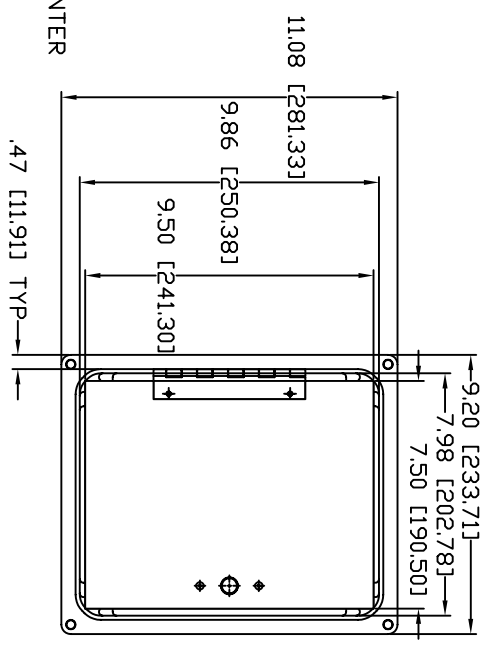


OPTIONAL BACK PANEL SHOWN  
ALUMINUM - .100 THK.  
WHITE STEEL - .075 THK.  
FIBERGLASS - .125 THK.



SECTION B-B

(4) S. ST'L. PLATED CARBON STEEL SCREWS



FRONT VIEW WITH LID REMOVED

MATERIAL:  
BOX - COMPRESSION MOLDED FIBERGLASS REINFORCED POLYESTER  
COVER - COMPRESSION MOLDED FIBERGLASS REINFORCED POLYESTER  
WINDOWS - POLYCARBONATE

CONFIDENTIAL  
THIS MATERIAL IS VIEWED BY THE ALLIED GROUP AND IS NOT TO BE REPRODUCED OR DISTRIBUTED TO ANY OTHER PARTY WITHOUT THE WRITTEN PERMISSION OF ALLIED PRODUCTS.