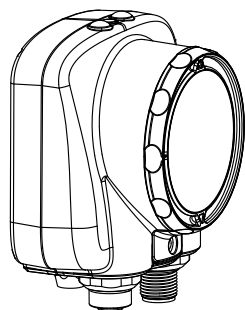


iVu Plus Barcode Reader (BCR) Image Sensor for use with a Remote Display



Datasheet

The iVu Plus BCR package consists of lighting, sensor, and lens. This version of the iVu Plus BCR requires a Remote Display touch screen (available separately) to set up and monitor inspections. Cables and mounting brackets can be ordered for each application. Additionally, other lenses, filters, and external lights are available.



Features

- No PC required to configure the sensor
- Image processing expertise is not required
- Multiple inspections that facilitate storing and controlling up to 30 inspections for fast product turnover
- USB port for uploading and downloading of inspections and log files for easy updating and diagnostics
- Separate touch screen display mounts remotely from the sensor to allow easy access to the user interface and to view inspection images
- Ethernet communications for communication with the sensor
- A RS-232 serial communications port that is used to output barcode data to other applications
- High speed processing

The iVu Plus BCR reads the following barcode types:

- DataMatrix (ECC 200) barcodes
- QR Code (QR and Micro QR)
- Linear barcodes: Code128, Code39, CODABAR, Interleaved 2 of 5, EAN13, EAN8, UPCE, Postnet, IMB, and Pharmacode



WARNING: Not To Be Used for Personnel **Protection**

Never use this device as a sensing device for personnel **protection**. Doing so could lead to serious injury or death. This device does not include the self-checking redundant circuitry necessary to allow its use in personnel safety applications. A sensor failure or malfunction can cause either an energized or de-energized sensor output condition.

Models

Ring Light Options	Micro Video Lens Options						C-Mount Lens Options
	4.3 mm	6 mm	8 mm	12 mm	16 mm	25 mm	
None	IVUPRBX04	IVUPRBX06	IVUPRBX08	IVUPRBX12	IVUPRBX16	IVUPRBX25	IVUPRBXC
Red	IVUPRBR04	IVUPRBR06	IVUPRBR08	IVUPRBR12	IVUPRBR16	IVUPRBR25	N/A
Blue	IVUPRBB04	IVUPRBB06	IVUPRBB08	IVUPRBB12	IVUPRBB16	IVUPRBB25	N/A
Green	IVUPRBG04	IVUPRBG06	IVUPRBG08	IVUPRBG12	IVUPRBG16	IVUPRBG25	N/A
IR	IVUPRBI04	IVUPRBI06	IVUPRBI08	IVUPRBI12	IVUPRBI16	IVUPRBI25	N/A
White	IVUPRBW04	IVUPRBW06	IVUPRBW08	IVUPRBW12	IVUPRBW16	IVUPRBW25	N/A
UV 365 ¹	IVUPRB604	IVUPRB606	IVUPRB608	IVUPRB612	IVUPRB616	IVUPRB625	N/A
UV 395 ¹	IVUPRB904	IVUPRB906	IVUPRB908	IVUPRB912	IVUPRB916	IVUPRB925	N/A



Note: This product emits UV light. Exempt Risk Group (RG 0) product. No optical hazard is considered reasonably foreseeable, even for continuous, unrestricted use (IEC 62471).

¹ Blue Filter Kit (FLTMB) included with UV models.

Specifications

Power Connection

12-pin Euro-style (M12) male connector; accessory cable required for operation

USB 2.0 Host

4-pin Pico (M8) female connector; optional USB cable required for operation of USB flash drive

Ethernet Connection

4-pin Pico (M8) male connector

Remote Display Connection

8-pin Euro-style (M12) female connector; accessory cable required for remote display

Power Requirements

Voltage: 10 to 30 V dc

Current: 1 A maximum (exclusive of I/O load)

Output Configuration

NPN or PNP, software selectable

Demo Mode

Full tool functionality on canned images

Sensor Lock

Optional password protection

Integrated Ring Light

Models with Red, IR, Green, Blue, White or no integrated ring light

Output Rating

150 mA

Acquisition

60 fps (frames per second)²

Exposure Time

0.1 ms to 1.049 s

Imager

1/3 inch CMOS 752 × 480 pixels; adjustable Field of View (FOV)

Lens Mount

Micro Video Lens models: M12 × 1 mm thread; micro video lens 4.3, 6, 8, 12, 16, 25 mm

C-Mount models: Standard C-mount (1 inch-32 UN)

Construction

Black PBT sensor housing; acrylic window

Weight: 0.30 kg (0.65 lbs)

Environmental Rating

IEC IP67

Operating Conditions

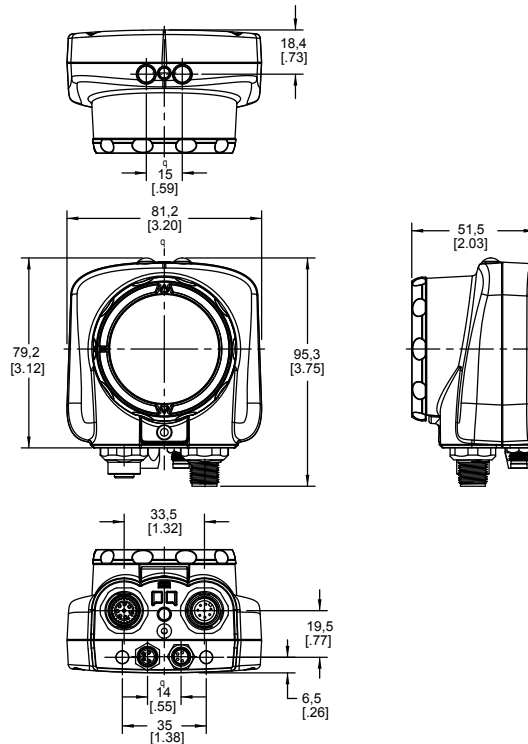
Stable Ambient Temperature: 0 °C to +40 °C (+32 °F to +104 °F)

Certifications



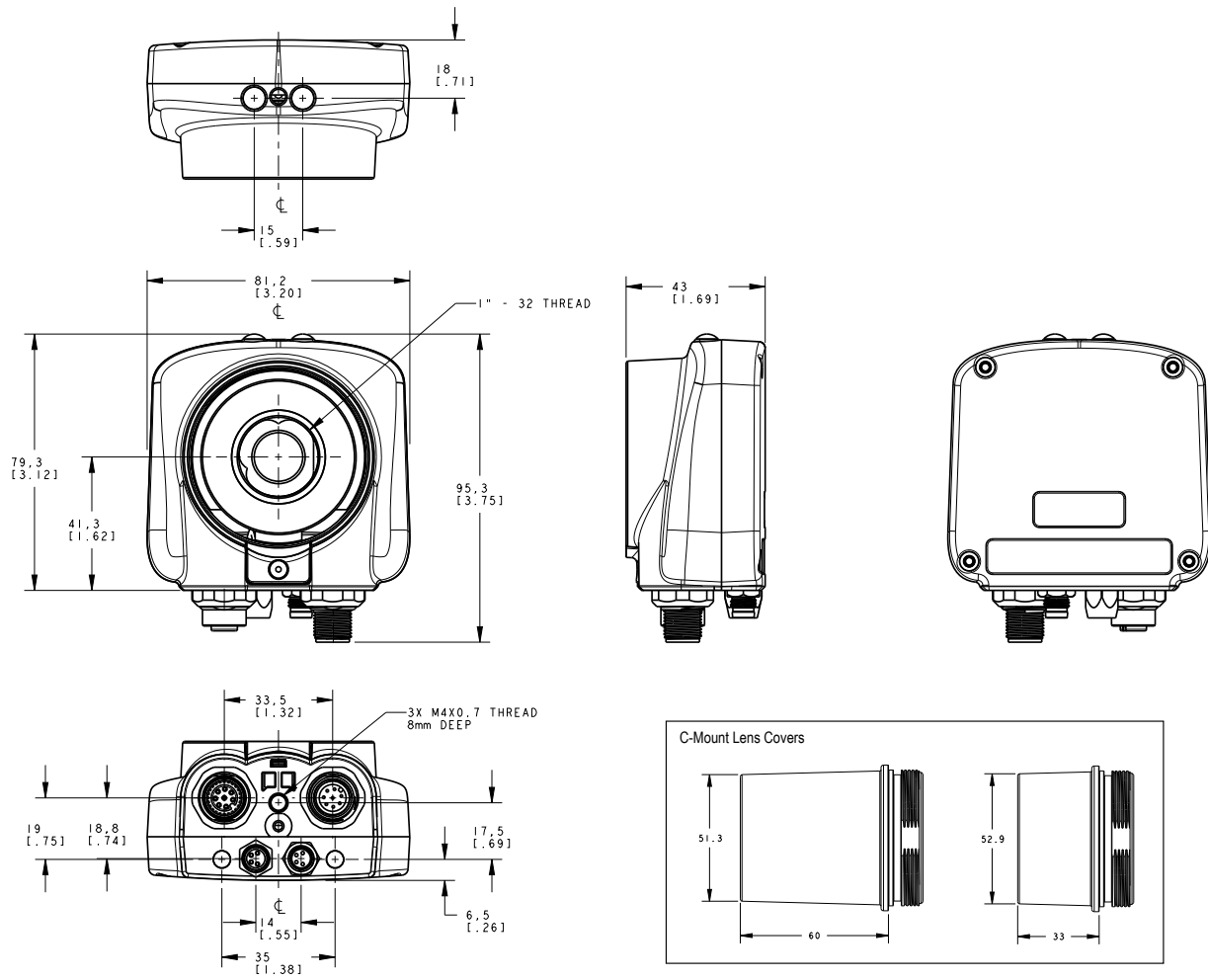
Dimensions

Micro Video Lens Dimensions



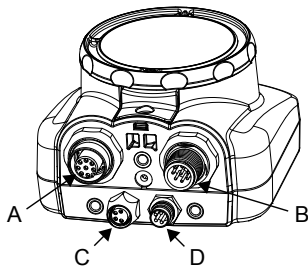
² This value can vary based on inspection settings.

C-Mount Lens Dimensions



Cable Connections for Remote Display

The cable connections on the iVu Plus with remote display are shown below, and power I/O connections (B) are defined in the Power I/O Connections table below.



- A Remote Display Connector
- B Power I/O Connector
- C USB Connector
- D Ethernet Connector



Note: Micro video lens model shown, C-Mount model connections are identical.

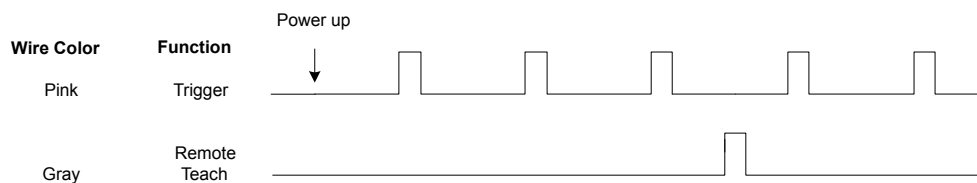
Power I/O Connections			
Pin #	Wire Color	Description	Direction
1	White	Output 1	Output

Power I/O Connections			
Pin #	Wire Color	Description	Direction
2	Brown	10-30V dc	Input
3	Green	Output 2	Output
4	Yellow	Strobe Out (5V dc only)	Output
5	Gray	Remote Teach	Input
6	Pink	External Trigger	Input
7	Blue	Common (Signal Ground)	Input
8	Red	Ready	Output
9	Orange	Output 3	Output
10	Light Blue	RS-232 TX	Output
11	Black	RS-232 Signal Ground	Output
12	Violet	RS-232 Rx	Input

iVu Trigger, Remote Teach, and I/O Waveforms

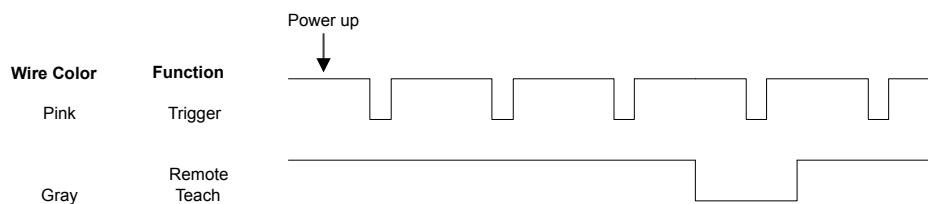
The iVu has two input signals—Trigger and Remote Teach. The default setting is to detect the low to high transition. This setting can be changed in the Main Menu > System > Discrete I/O > Input Polarity screen on the sensor.

PNP (Low-to-High) Trigger and Remote Teach Input Waveforms



The sensor triggers from low to high, and Remote Teach behaves electrically like trigger.

NPN (High-to-Low) Trigger and Remote Teach Input Waveforms

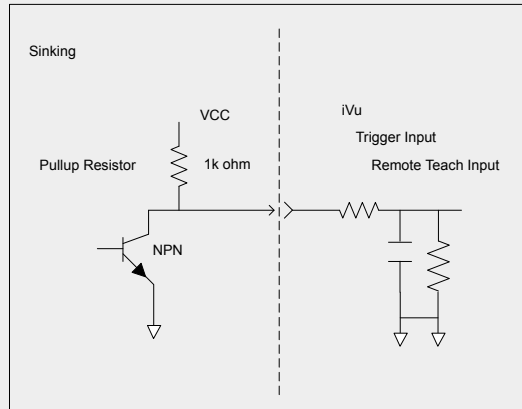


The sensor triggers from high to low, and Remote Teach behaves electrically like trigger.



Note: If the device used to trigger or remote teach the iVu Plus BCR is a sinking device, these are the options regarding the use of a pull-up resistor:

Option 1: Put a pull-up resistor, rated approximately 1k ohm, between the sensor's positive (+) voltage and the sensor's input as shown below.



Option 2: Enable the Input Pullup in the iVu Plus BCR software (Main Menu > System > Discrete I/O > Input Pullup).

iVu Output Waveforms

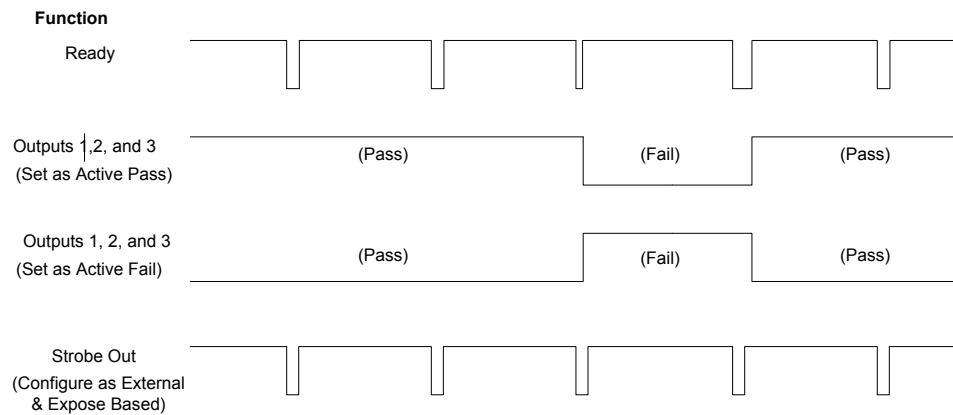


Figure 1. PNP Outputs

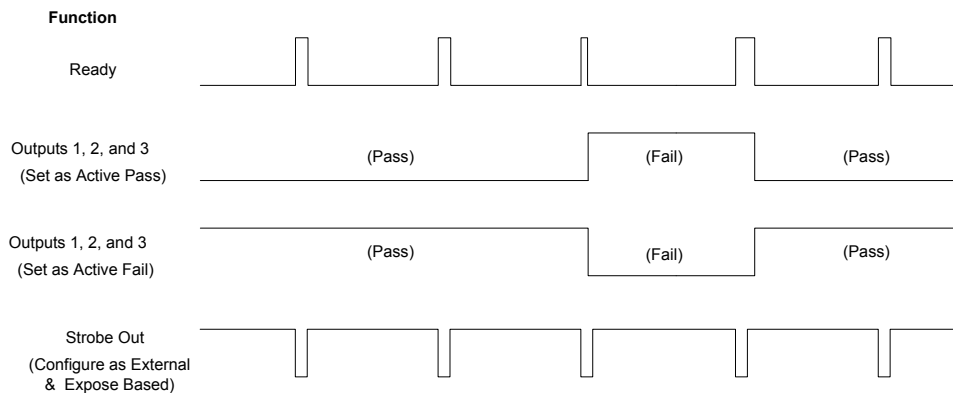
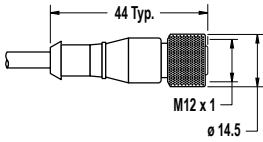
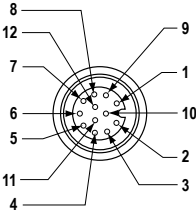
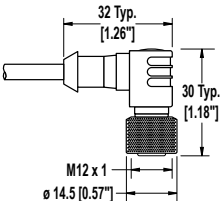


Figure 2. NPN Outputs

Accessories

Power Cable — Required

12-Pin M12/Euro-Style Cordsets with Open Shield				
Model	Length	Style	Dimensions	Pinout (Female)
MQDC2S-1206	1.83 m (6 ft)	Straight		 <ul style="list-style-type: none"> 1 = White 2 = Brown 3 = Green 4 = Yellow 5 = Gray 6 = Pink 7 = Blue 8 = Red 9 = Orange 10 = Light Blue 11 = Black 12 = Violet
MQDC2S-1215	4.57 m (15 ft)			
MQDC2S-1230	9.14 m (30 ft)			
MQDC2S-1250	15.2 m (50 ft)			
MQDC2S-1275	22.9 m (75 ft)			
MQDC2S-1206RA	1.83 m (6 ft)	Right Angle		
MQDC2S-1215RA	4.57 m (15 ft)			
MQDC2S-1230RA	9.14 m (30 ft)			
MQDC2S-1250RA	15.2 m (50 ft)			

Remote Display — Required for Setup

Model	Description	Data Sheet
RD35	89 mm (3.5 in) Diagonal Remote Touch Screen	p/n 149171
RDM35	89 mm (3.5 in) Diagonal Machine-Mountable Remote Touch Screen	p/n 166096

RD35 Remote Display Accessory Kit

Table 1: Cordset Kits

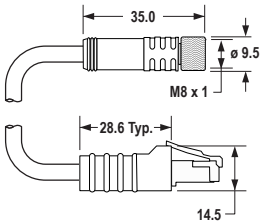
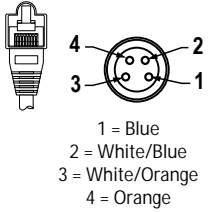
Model	Length	Description
IVURD-MXK-803	0.91 m (3 ft)	8-pin cable, straight, M12-Molex Mounting Bracket (SMBRD35) Stylus
IVURD-MXK-806	1.83 m (6 ft)	
IVURD-MXK-815	4.57 m (15 ft)	
IVURD-MXK-830	9.14 m (30 ft)	
IVURD-MXK-850	15.2 m (50 ft)	
IVURD-MXK-803RA	0.91 m (3 ft)	8-pin cable, right-angle, M12-Molex Mounting Bracket (SMBRD35) Stylus
IVURD-MXK-806RA	1.83 m (6 ft)	
IVURD-MXK-815RA	4.57 m (15 ft)	
IVURD-MXK-830RA	9.14 m (30 ft)	
IVURD-MXK-850RA	15.2 m (50 ft)	

RDM35 Remote Display Accessory Kit

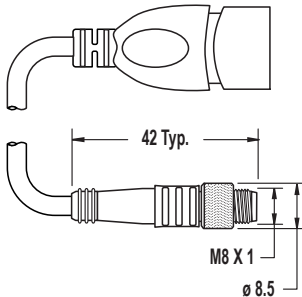
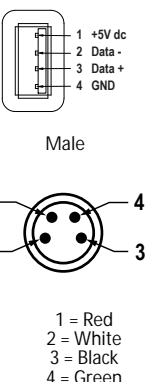
Table 2: Cordset Kits

Model	Length	Description
IVURDM-QDK-803	0.91 m (3 ft)	8-pin cable, straight, M12-M12 Mounting bracket (SMBRDM35) Stylus
IVURDM-QDK-806	1.83 m (6 ft)	
IVURDM-QDK-815	4.57 m (15 ft)	
IVURDM-QDK-830	9.14 m (30 ft)	
IVURDM-QDK-850	15.2 m (50 ft)	
IVURDM-QDK-803RA	0.91 m (3 ft)	8-pin cable, right-angle, M12-M12 Mounting bracket (SMBRDM35) Stylus
IVURDM-QDK-806RA	1.83 m (6 ft)	
IVURDM-QDK-815RA	4.57 m (15 ft)	
IVURDM-QDK-830RA	9.14 m (30 ft)	
IVURDM-QDK-850RA	15.2 m (50 ft)	

Ethernet Cable Options

RJ45 Ethernet to 4-Pin Threaded M8/Pico-Style Cordsets				
Model	Length	Style	Dimensions	Pinout
IVUC-E-406	1.83 m (6 ft)	Cat5e Shielded		 <p>1 = Blue 2 = White/Blue 3 = White/Orange 4 = Orange</p>
IVUC-E-415	4.57 m (15 ft)			
IVUC-E-430	9.14 m (30 ft)			
IVUC-E-450	15.2 m (50 ft)			
IVUC-E-475	22.9 m (75 ft)			

USB Cable — Optional

4-Pin Threaded M8/Pico-Style to USB Cordsets with Shield—Double Ended				
Model	Length	Style	Dimensions	Pinout
PSG-4M-4005-USB	0.15 m (6 in)	Straight Pico QD/ USB		 <p>Male</p> <p>1 = Red 2 = White 3 = Black 4 = Green</p>
PSG-4M-401-USB	0.31 m (1 ft)			
PSG-4M-403-USB	0.91 m (3 ft)			
PSG-4M-410-USB	3 m (10 ft)			

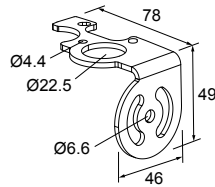
USB Flash Drive — Optional

Model	Description
IVU-USBFD2	USB Flash Drive 2 GB

Brackets

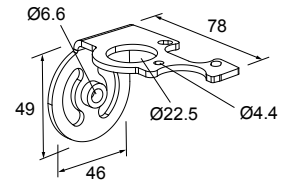
SMBIVURAL

- Right-angle bracket for mounting sensor from the left
- 12-ga. stainless steel
- Hardware included



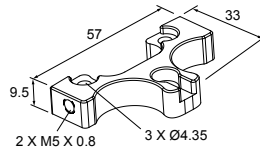
SMBIVURAR

- Right-angle bracket for mounting sensor from right
- 12-ga. stainless steel
- Hardware included



SMBIVUU

- U-shaped swivel bracket kit
- 14-ga. stainless steel
- Hardware included



Note: Use cables with right-angle connectors with this bracket kit.

Micro Video Lens Accessories

Micro Video Lens Models

Model	Lens Description
LMF04 ³	4.3 mm lens
LMF06	6 mm lens
LMF08	8 mm lens
LMF12	12 mm lens
LMF16	16 mm lens
LMF25	25 mm lens

Micro Video Lens Filters — **Optional**

Model	Description
FLTMR2	Red and dark red filter kit
FLTMI	Infrared filter kit
FLTMB	Blue filter kit
FLTMG	Green filter kit

C-Mount Lens Accessories

C-Mount Lens Models

Model	Lens Description
LCF04	4 mm Lens - no threads for filter

³ Due to the flexibility of the replaceable lenses, focus mechanism, and imager field-of-view settings, it is possible with the 4.3 mm lens to experience reflections from the internal strobe on the inspection image. To eliminate this effect, the field-of-view can be limited to the system default of 320×240 (or 640×480 for fine), the working distance to the object should be no more than about 8 inches, or an external strobe should be used instead of the internal ring light.

Model	Lens Description
LCF08	8 mm Lens - no threads for filter
LCF12	12 mm Lens - no threads for filter
LCF16	16 mm Lens, aperture lock - no threads for filter
LCF25R	25mm lens
LCF25LR	25mm lens with focus locking
LCF50L1R	50mm lens with focus locking, plastic
LCF50L2R	50mm lens with focus locking, metal (will not fit ring)
LCF75LR	75mm lens with focus locking, metal (will not fit ring)

C-Mount Lens Enclosure Choices

Model	Description
IVUSLC50-P	Sealed C-mount lens enclosure
IVUSLC75-P	

C-Mount Lens Filters — **Optional**

Model	Description
FLTR	Red filter kit
FLTB	Blue filter kit
FLTG	Green filter kit
FLTI	IR Filter kit

Banner Engineering Corp. Limited Warranty

Banner Engineering Corp. warrants its products to be free from defects in material and workmanship for one year following the date of shipment. Banner Engineering Corp. will repair or replace, free of charge, any product of its manufacture which, at the time it is returned to the factory, is found to have been defective during the warranty period. This warranty does not cover damage or liability for misuse, abuse, or the improper application or installation of the Banner product.

THIS LIMITED WARRANTY IS EXCLUSIVE AND IN LIEU OF ALL OTHER WARRANTIES WHETHER EXPRESS OR IMPLIED (INCLUDING, WITHOUT LIMITATION, ANY WARRANTY OF MERCHANTABILITY OR FITNESS FOR A PARTICULAR PURPOSE), AND WHETHER ARISING UNDER COURSE OF PERFORMANCE, COURSE OF DEALING OR TRADE USAGE.

This Warranty is exclusive and limited to repair or, at the discretion of Banner Engineering Corp., replacement. IN NO EVENT SHALL BANNER ENGINEERING CORP. BE LIABLE TO BUYER OR ANY OTHER PERSON OR ENTITY FOR ANY EXTRA COSTS, EXPENSES, LOSSES, LOSS OF PROFITS, OR ANY INCIDENTAL, CONSEQUENTIAL OR SPECIAL DAMAGES RESULTING FROM ANY PRODUCT DEFECT OR FROM THE USE OR INABILITY TO USE THE PRODUCT, WHETHER ARISING IN CONTRACT OR WARRANTY, STATUTE, TORT, STRICT LIABILITY, NEGLIGENCE, OR OTHERWISE.

Banner Engineering Corp. reserves the right to change, modify or improve the design of the product without assuming any obligations or liabilities relating to any product previously manufactured by Banner Engineering Corp. Any misuse, abuse, or improper application or installation of this product or use of the product for personal protection applications when the product is identified as not intended for such purposes will void the product warranty. Any modifications to this product without prior express approval by Banner Engineering Corp will void the product warranties. All specifications published in this document are subject to change. Banner reserves the right to modify product specifications or update documentation at any time. Specifications and product information in English supersede that which is provided in any other language. For the most recent version of any documentation, refer to:

www.bannerengineering.com.