

MINI-SCREEN™ DIN module controllers are now available standard with removeable wiring blocks. These models are identical to the models with permanent wiring blocks, except that the terminal numbers change and one overall controller dimension increases.

This supplement modifies the information for figures 25 and 29 which appear in MINI-SCREEN manual 48992.

For MINI-SCREEN models with heavy-duty metal box controllers, this supplement does not apply.

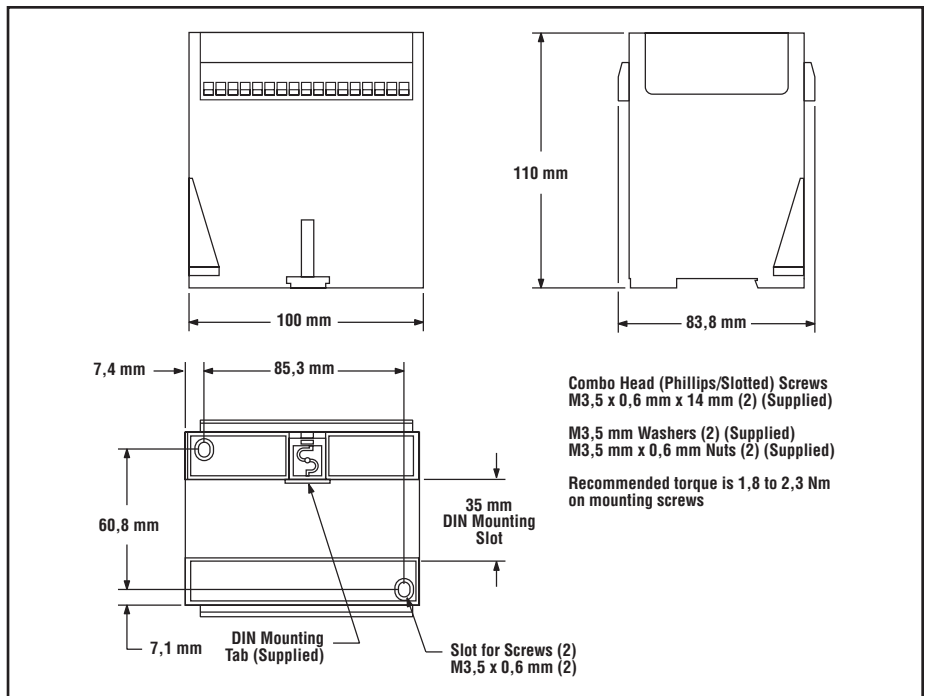


Figure 25. Control Module Dimensions and Mounting Hole Locations.

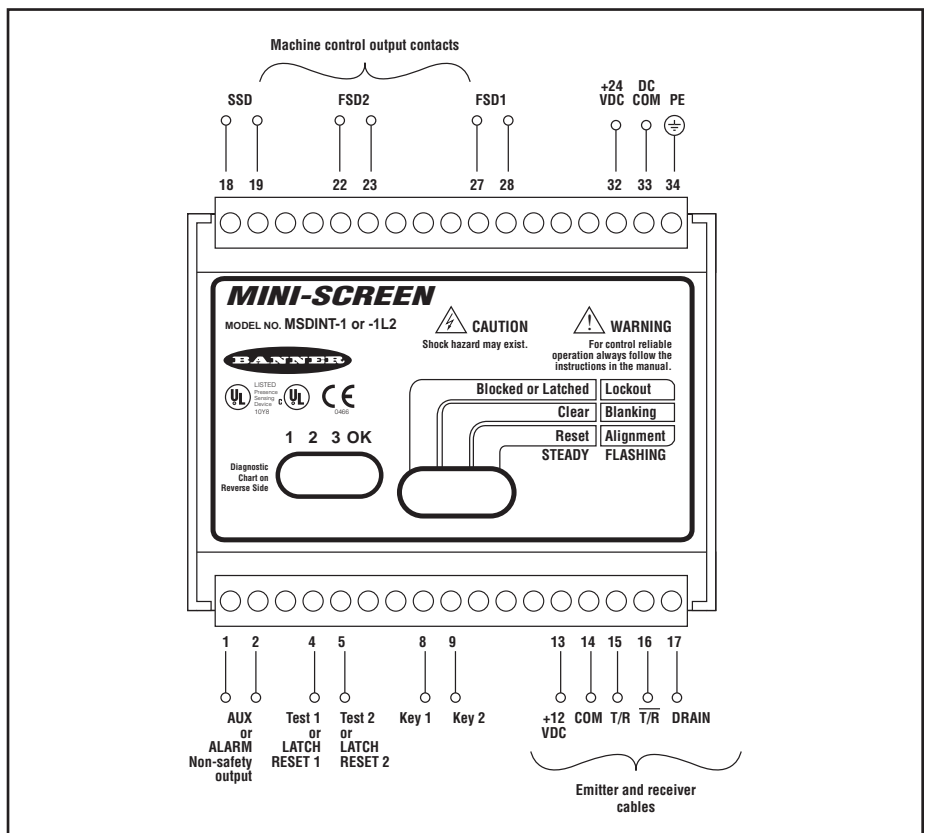


Figure 29. MINI-SCREEN System Electrical Connections.

MSDINT-1 or MSDINT-1L2 – Supplement



WARNING. . . Use of MINI-SCREEN Systems for Perimeter Guarding

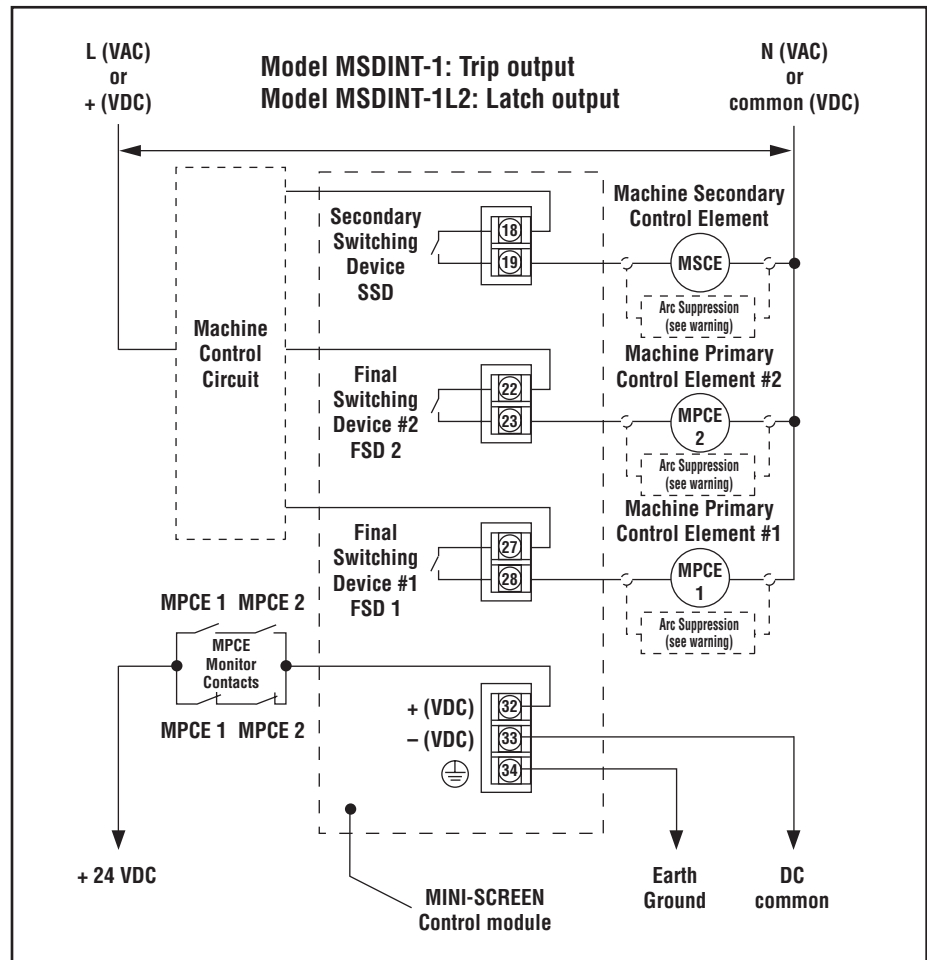
If a MINI-SCREEN System is installed for use as a perimeter guarding system:

- The Machine Primary Control Elements (MPCEs) of the guarded machine must be wired so that any interruption of the defined area will cause immediate arrest of the dangerous motion of the guarded machine.
- Following any interruption, the dangerous machine motion must be able to be initiated **ONLY** following actuation of a Reset switch.

This Reset switch must be located outside of the area of dangerous motion, and must be positioned so that the area of dangerous motion may be observed by the switch operator during the reset operation.

Failure to observe this warning could result in serious injury or death.

The figure below shows output relay connections in a generic interfacing situation. The connections between the MINI-SCREEN System outputs and the machine primary and secondary control elements must be direct, and arranged so that any single line fault or earth fault will not result in a circuit failure to a potentially dangerous state.



Generic Machine Interface for Controller Models MSDINT-1 and MSDINT-1L2.



WARNING. . . Arc Suppressors

If arc suppressors are used, they must be installed as shown across the coils of the machine control elements. **NEVER** install suppressors directly across the contacts of the MINI-SCREEN switching devices! It is possible for suppressors to fail as a short circuit. **If installed directly across the contacts of a MINI-SCREEN switching device, a short-circuited suppressor will create an unsafe condition.**



WARNING. . . Use All Output Contacts

All MINI-SCREEN System output contacts (FSD1, FSD2, and SSD) must be used. The generalised wiring configuration, shown here, is provided only to illustrate the importance of proper installation. The specific wiring of the MINI-SCREEN system to any particular machine is solely the responsibility of the installer and end user.