

## Datasheet

The Sure Cross® wireless system is a radio frequency network with integrated I/O that operates in most environments to eliminate the need for wiring runs.



- Wireless industrial I/O device with up to 12 sourcing discrete inputs or outputs. Default configuration is set to 6 inputs and 6 outputs (without bit-packing).
- 10 to 30 V dc power input
- DIP switches for user configuration
- Modbus serial interface
- Site Survey analyzes the network's signal strength and reliability and displays the results on the Gateway's LCD
- Frequency Hopping Spread Spectrum (FHSS) technology ensures reliable data delivery within the unlicensed Industrial, Scientific, and Medical (ISM) band
- Transceivers provide bidirectional communication between the Gateway and Node, including fully acknowledged data transmission
- Lost RF links are detected and relevant outputs set to user-defined conditions

For additional information, updated documentation, and a list of accessories, refer to Banner Engineering's website, [www.bannerengineering.com/wireless](http://www.bannerengineering.com/wireless).



### WARNING:

- **Do not use this device for personnel protection**
- Using this device for personnel protection could result in serious injury or death.
- This device does not include the self-checking redundant circuitry necessary to allow its use in personnel safety applications. A device failure or malfunction can cause either an energized (on) or de-energized (off) output condition.



### Important:

- **Electrostatic discharge (ESD) sensitive device**
- ESD can damage the device. Damage from inappropriate handling is not covered by warranty.
- Use proper handling procedures to prevent ESD damage. Proper handling procedures include leaving devices in their anti-static packaging until ready for use; wearing anti-static wrist straps; and assembling units on a grounded, static-dissipative surface.

## Models

Models	Frequency	I/O
DX80G2M6S-P8-KR	2.4 GHz ISM Band	Discrete I/O: Up to 12 sourcing inputs or up to 12 sourcing outputs (for a total of 12 I/O) (Default configuration is 6 IN and 6 OUT, without bit-packing)

## Configuration Instructions

### Setting Up Your Wireless Network

To set up and install your wireless network, follow these steps.

Disconnect the power from your Sure Cross devices.

1. Configure the DIP switches of all devices.
2. If your device has I/O, connect the sensors to the Sure Cross devices. If your device does not have I/O, skip this step.
3. Refer to the wiring diagrams to apply power to all devices.
  - For housed models, the Gateway's LED 1 is solid green and the Node's LED 2 flashes red to indicate there is no radio link to the Gateway.
  - For board-level models, the Gateway's LED is solid green and the Node's LED flashes red to indicate there is no radio link to the Gateway.
4. Form the wireless network by binding the Nodes to the Gateway. If the binding instructions are not included in the datasheet, refer to the product manual for binding instructions.



5. Observe the LED behavior to verify the devices are communicating with each other.
  - For housed models, the Gateway's LED 1 is solid green and the Node's LED 1 flashes green to indicate it is communicating with the Gateway.
  - For board-level models, the Gateway's LED is solid green and the Node's LED flashes green to indicate it is communicating with the Gateway.
6. Configure any I/O points to use the sensors connected to the Sure Cross devices.
7. Conduct a site survey between the Gateway and Nodes. If the site survey instructions are not included in this datasheet, refer to the product manual for detailed site survey instructions.
8. Install your wireless sensor network components. If installation instructions are not included in this datasheet, refer to the product manual for detailed installation instructions.

For additional information, including installation and setup, weatherproofing, device menu maps, troubleshooting, and a list of accessories, refer to one of the following product manuals.

- Sure Cross® Quick Start Guide: [128185](#)
- Sure Cross® Wireless I/O Network Instruction Manual: [132607](#)
- Web Configurator Instruction Manual (used with "Pro" and DX83 models): [134421](#)
- Host Controller Systems Instruction Manual: [132114](#)

## Configure the DIP Switches

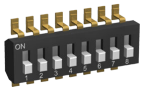
Before changing DIP switch positions, disconnect the power. DIP switch changes are not recognized until after power is cycled to the device.

For parameters not set via DIP switches, use the User Configuration Tool (UCT) to make configuration changes. For parameters set using the DIP switches, the DIP switch positions override any changes made using the User Configuration Tool.

### Accessing the Internal DIP Switches

To access the internal DIP switches, follow these steps:

1. Unscrew the four screws that mount the cover to the bottom housing.
2. Remove the cover from the housing without damaging the ribbon cable or the pins the cable plugs into.
3. Gently unplug the ribbon cable from the board mounted into the bottom housing.
4. Remove the black cover plate from the bottom of the device's cover.  
The DIP switches are located behind the rotary dials.



After making the necessary changes to the DIP switches, place the black cover plate back into position and gently push into place. Plug the ribbon cable in after verifying that the blocked hole lines up with the missing pin. Mount the cover back onto the housing.

## DIP Switch Settings

\* Default configuration

Device Settings	DIP Switches	
	1	2
Transmit power level: 1 Watt (30 dBm)	OFF*	
Transmit power level: 250 mW (24 dBm), DX80 compatibility mode	ON	
Modbus or UCT configured (overrides switches 5-8)		OFF*
DIP switch configured (Uses 5-8 for I/O configuration)		ON

When DIP switch 2 is in its default position (OFF), the I/O is set to 6 discrete inputs and 6 discrete outputs, non-bit-packed. DIP switches 5 through 8 are ignored.

For this 6 IN/6 OUT non bit-packed configuration, the discrete INs use I/O points 1 through 6 and the discrete OUTs use I/O points 9 through 14.

Device Settings	DIP Switches			
	5	6	7	8
12 inputs, 0 outputs	OFF*	OFF*	OFF*	OFF*
11 inputs, 1 output	OFF	OFF	OFF	ON
10 inputs, 2 outputs	OFF	OFF	ON	OFF
9 inputs, 3 outputs	OFF	OFF	ON	ON
8 inputs, 4 outputs	OFF	ON	OFF	OFF
7 inputs, 5 outputs	OFF	ON	OFF	ON
6 inputs, 6 outputs	OFF	ON	ON	OFF
5 inputs, 7 outputs	OFF	ON	ON	ON
4 inputs, 8 outputs	ON	OFF	OFF	OFF
3 inputs, 9 outputs	ON	OFF	OFF	ON
2 inputs, 10 outputs	ON	OFF	ON	OFF
1 input, 11 outputs	ON	OFF	ON	ON
0 inputs, 12 outputs	ON	ON	OFF	OFF
6 inputs, 6 outputs (non bit-packed)	ON	ON	OFF	ON
8 bit-packed inputs, 4 non bit-packed outputs	ON	ON	ON	OFF
4 non bit-packed inputs, 8 bit-packed outputs	ON	ON	ON	ON

For DIP switches 5 through 8 to be recognized, DIP switch 2 must be in the ON position.

For the 8 bit-packed IN/4 non bit-packed OUT configuration, all discrete INs use I/O point 1 and the discrete OUTs use I/O points 9 through 12.

For the 4 non bit-packed IN/8 bit-packed output configuration, the discrete INs use I/O points 1 through 4 and all bit-packed outputs use I/O point 9.

### Modbus/UCT Configured or DIP Switch Configured for I/O Configuration

In the OFF position, this device is configured for six discrete inputs and six discrete outputs (non-bit packed) for products built after May 2011. For products built before May 2011, this default position configures the device for 12 inputs and zero outputs (bit packed). In the OFF position, users can send commands directly from the host system to the devices to select custom I/O configuration. Users may also use the User Configuration Tool (UCT) to write custom configuration

In the ON position, use DIP switches 5 through 8 to select one of the pre-programmed discrete I/O configurations shown in the DIP Switch Settings table.

### User Defined Configuration of Discrete I/O on the 12 I/O Devices

The 12 I/O device can be configured into any combination of 12 discrete inputs or outputs. Inputs are stored in a bit packed form in I/O point 1, device register 1. Outputs are stored in a bit packed form in I/O point 9, device register 9.

**Defining Inputs and Outputs**— To define which of the 12 I/O points are inputs, adjust the bit field stored as I/O 1's threshold parameter [15:0]. Set bit 0 of the 16-bit parameter data word to define I/O 1 as an input, set bit 1 to define I/O 2 as an input, et cetera. Each bit position of the parameter is associated to a I/O point. In the example below, the first five I/O points are defined as inputs.

Input Parameter	Bit 15	14	13	12	11	10	09	08	07	06	05	04	03	02	01	00
Input Point #					12	11	10	9	8	7	6	5	4	3	2	1
Parameter Data					0	0	0	0	0	0	0	1	1	1	1	1

Define outputs the same way by adjusting the bit field stored in I/O 9's threshold parameter [15:0]. Verify the bit pattern for outputs does not overlap the input pattern. In the example below, I/O points 6-12 are set as outputs.

Input Parameter	Bit 15	14	13	12	11	10	09	08	07	06	05	04	03	02	01	00
Input Point #					12	11	10	9	8	7	6	5	4	3	2	1
Parameter Data					1	1	1	1	1	1	1	0	0	0	0	0

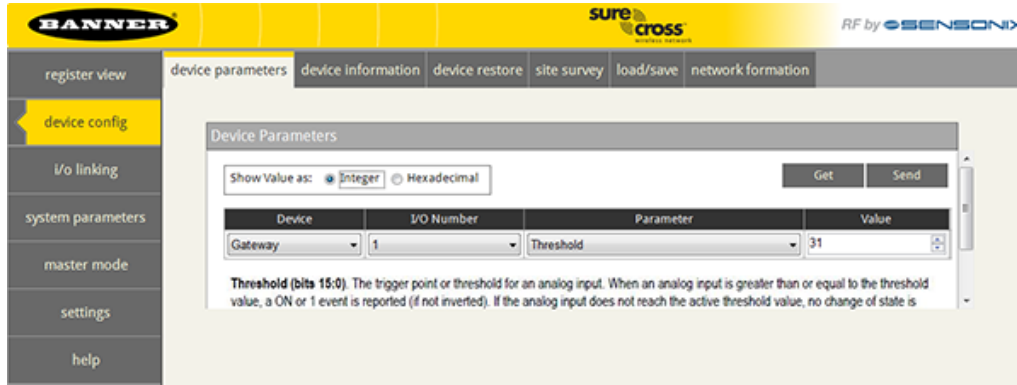
For inputs, the first I/O point selected as an input is placed in bit position 0 in register 1. The second input point is in bit position 1, et cetera. Likewise, for outputs, the first I/O point selected as an output is placed in bit position 0 in register 9, the second input point is in bit position 2. The bit-packed values are stored in right-justified format.

Input Parameter	Bit 15	14	13	12	11	10	09	08	07	06	05	04	03	02	01	00
Input Point #					0	0	0	0	0	0	0	IN 5	IN 4	IN 3	IN 2	IN 1
Parameter Data					0	0	0	0	0	OUT 7	OUT 6	OUT 5	OUT 4	OUT 3	OUT 2	OUT 1

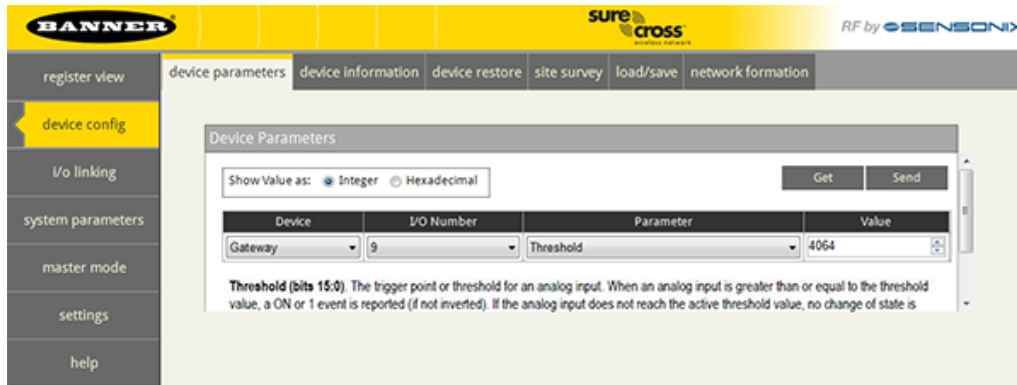
### Defining Inputs and Outputs Using the UCT

To configure either a Gateway or Node, select the Gateway or specific Node from the drop-down list. To configure a DX85 Remote I/O model, set the DX85's Slave ID to 01 and select the Gateway from the drop-down list.

To define which of the 12 I/O points are inputs for the selected device, adjust the threshold parameter for I/O point 1. Set bit 0 of the 16-bit parameter data word to define I/O 1 as an input, set bit 1 to define I/O 2 as an input, et cetera. Each bit position of the parameter is associated to a I/O point. In the example below, the first five I/O points are defined as inputs (0000 0001 1111 = 0x001F = 0031).



To define which of the 12 I/O points are outputs for the selected device, adjust the threshold parameter for I/O point 9. In the example below, bits 11 through 5 are used to set seven outputs (1111 1110 0000 = 0x0FE0 = 4064).



### Wire Your Sure Cross® Device

Use the following wiring diagrams to first wire the sensors and then apply power to the Sure Cross devices.

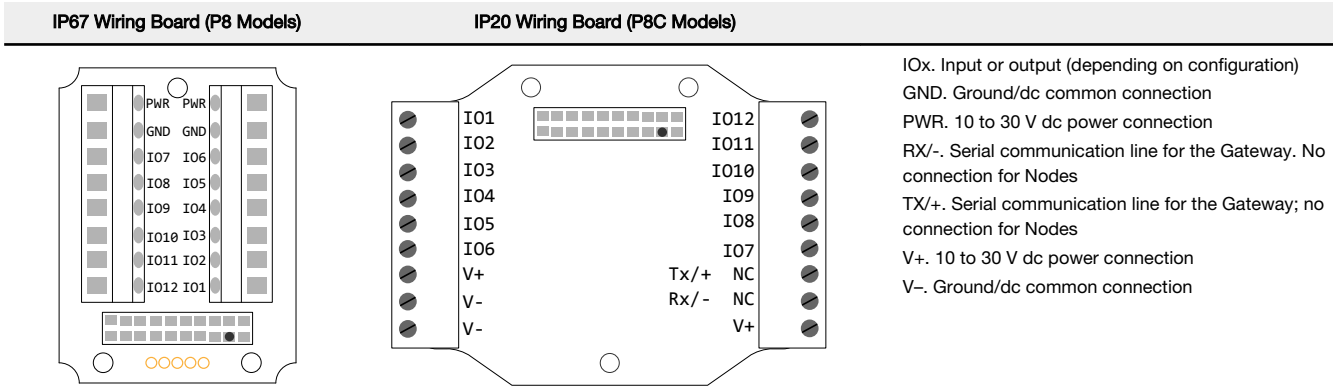
#### 5-pin M12/Euro-style Wiring for Gateways and DX85s

Wiring the 5-pin Euro-style connector depends on the model and power requirements of the device. Connecting power to the communication pins will cause permanent damage.

5-pin M12/Euro-style Male Connector	Pin	Wire Color	Description
	1	Brown	10 to 30 V dc
	2	White	RS485 / D1 / B / +
	3	Blue	dc common (GND)
	4	Black	RS485 / D0 / A / -
	5	Gray	Comms Gnd

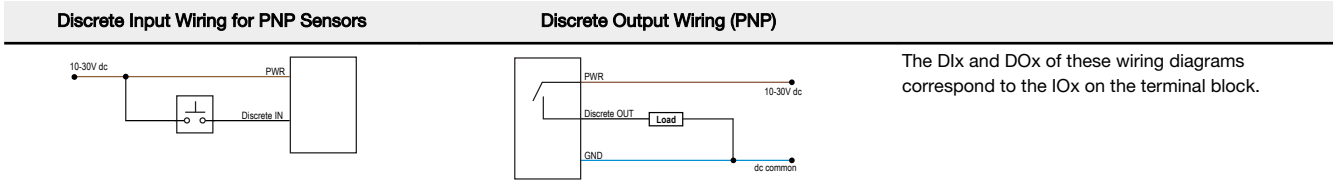
#### Terminal Blocks and Wiring

Refer to the Class I Division 2/Zone 2 control drawings (p/n [143086](#)) for wiring specifications and limitations.



When using the DIP switches to configure the input and output selection, wire the inputs beginning with IO1. After all inputs are wired, begin using the remaining IOx as outputs. For example, if you are using 10 inputs and 2 outputs, use terminals IO1 through IO10 for the inputs and terminals IO11 and IO12 for the outputs.

For the default configuration of 6 IN and 6 OUT, use IO1 through IO6 to wire the inputs and IO7 through IO12 to wire the outputs.



### LED Behavior for the Gateways

Verify all devices are communicating properly. The radios and antennas must be a minimum distance apart to function properly. Recommended minimum distances are:

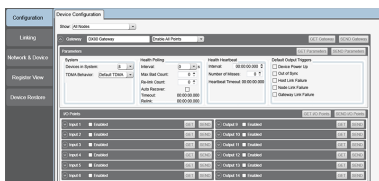
- 900 MHz 150 mW and 250 mW radios: 6 feet
- 900 MHz 1 Watt radios: 15 feet
- 2.4 GHz 65 mW radios: 1 foot

LED 1	LED 2	Gateway Status
Solid green		Power ON
Flashing red	Flashing red	Device Error
	Flashing amber	Modbus Communication Active
	Flashing red	Modbus Communication Error

For Gateway and Ethernet Bridge systems, active Modbus communication refers to the communication between the Gateway and the Ethernet Bridge. For GatewayPro systems, the Modbus communication LEDs refer to the communication internal to the GatewayPro. For Gateway-only systems, the Modbus communication LEDs refer to the communication between the Gateway and its host system (if applicable).

### Sure Cross® User Configuration Software

The User Configuration Software offers an easy way to link I/O points in your wireless network, view I/O register values, and set system communication parameters when a host system is not part of the wireless network. The software runs on any computer with the Windows Vista, Windows 7, Windows 8, or Windows 10 operating system.



Use a USB to RS-485 adapter cable to connect a standalone DX80 Gateway to the computer. For DXM Controllers with an internal DX80 radio, connect a computer to the DXM Controller using a USB or Ethernet connection. Download the most recent revisions of the configuration software from Banner Engineering's website:  
[www.bannerengineering.com/wireless](http://www.bannerengineering.com/wireless).

The USB to RS-485 adapter cable is not required for the DXM Controller. For standalone DX80 Gateway devices use:

- USB to RS-485 adapter cable model BWA-UCT-900 for 1 Watt radios
- USB to RS-485 adapter cable model BWA-HW-006 for all other radios

## Holding Registers

Modbus Registers		EIP Registers		I/O Type		Holding Register Representation (Dec.)		
Gateway / DX85	Node	Node		Bit-Packed	Non Bit-Packed (default configuration)	Min.	Max.	
1	1 + (Node# × 16)	0 + (Node# × 8)	Instance 100 / N7	Bit-Packed Discrete IN (IO1-IO12)	Discrete IN 1 (IO1)	0	4095	
2	2 + (Node# × 16)	1 + (Node# × 8)				Discrete IN 2 (IO2)	0	1
3	3 + (Node# × 16)	2 + (Node# × 8)				Discrete IN 3 (IO3)	0	1
4	4 + (Node# × 16)	3 + (Node# × 8)				Discrete IN 4 (IO4)	0	1
5	5 + (Node# × 16)	4 + (Node# × 8)				Discrete IN 5 (IO5)	0	1
6	6 + (Node# × 16)	5 + (Node# × 8)				Discrete IN 6 (IO6)	0	1
7	7 + (Node# × 16)	6 + (Node# × 8)			Reserved			
8	8 + (Node# × 16)	7 + (Node# × 8)			Device Message			
9	9 + (Node# × 16)	0 + (Node# × 8)	Instance 112 / N14	Bit-Packed Discrete OUT (IO1-IO12)	Discrete OUT 1 (IO7)	0	4095	
10	10 + (Node# × 16)	1 + (Node# × 8)				Discrete OUT 2 (IO8)	0	1
11	11 + (Node# × 16)	2 + (Node# × 8)				Discrete OUT 3 (IO9)	0	1
12	12 + (Node# × 16)	3 + (Node# × 8)				Discrete OUT 4 (IO10)	0	1
13	13 + (Node# × 16)	4 + (Node# × 8)				Discrete OUT 5 (IO11)	0	1
14	14 + (Node# × 16)	5 + (Node# × 8)				Discrete OUT 6 (IO12)	0	1
15	15 + (Node# × 16)	6 + (Node# × 8)			Control Message			
16	16 + (Node# × 16)	7 + (Node# × 8)			Reserved			

For other non bit-packed configurations, the inputs begin at I/O point 1 and the outputs begin after the last input.

For DIP switches 5 through 8 to be recognized, DIP switch 2 must be in the ON position.

For the 4 non bit-packed IN/8 bit-packed output configuration, the discrete INs use I/O points 1 through 4 and all bit-packed outputs use I/O point 9.

## Installing Your Sure Cross® Radios

Please refer to one of the following instruction manuals for details about successfully installing your wireless network components.

- DX80 and Performance Wireless I/O Network Instruction Manual: [132607](#)

## Specifications

### Performance 2.4 GHz Korean Radio Specifications

#### Radio Range<sup>1</sup>

2.4 GHz, 65 mW: Up to 3.2 km (2 miles)

#### Antenna Minimum Separation Distance

2.4 GHz, 65 mW: 0.3 m (1 ft)

#### Radio Transmit Power

2.4 GHz, 65 mW: 18 dBm (65 mW) conducted, less than or equal to 20 dBm (100 mW) EIRP

#### Spread Spectrum Technology

FHSS (Frequency Hopping Spread Spectrum)

#### 2.4 GHz Compliance for Korean Radio Models

KCC-CRM-BE2-DX

#### Antenna Connection

Ext. Reverse Polarity SMA, 50 Ohms  
Max Tightening Torque: 0.45 N·m (4 lbf·in)

#### Link Timeout

Gateway: Configurable via User Configuration Tool (UCT) software  
Node: Defined by Gateway

## RS-485 Communication Specifications

#### Communication Hardware (RS-485)

Interface: 2-wire half-duplex RS-485  
Baud rates: 9.6k, 19.2k (default), or 38.4k  
Data format: 8 data bits, no parity, 1 stop bit

<sup>1</sup> Radio range is with the 2 dB antenna that ships with the product. High-gain antennas are available, but the range depends on the environment and line of sight. Always verify your wireless network's range by performing a Site Survey.

## P8-KR Specifications

### Supply Voltage

10 V dc to 30 V dc (Outside the USA: 12 V dc to 24 V dc, ± 10%)

### Power Consumption

900 MHz Consumption: Maximum current draw is < 100 mA and typical current draw is < 50 mA at 24 V dc. (2.4 GHz consumption is less.)

### Interface

Two bi-color LED indicators, Two buttons, Six character LCD

### Discrete Inputs

Rating: 3 mA max current at 30 V dc  
Sample Rate: Up to 62.5 milliseconds  
Report Rate: On change of state  
ON Condition (PNP): Greater than 4.5 V  
OFF Condition (PNP): Less than 4 V

### Certifications



### Housing

Polycarbonate housing and rotary dial cover; polyester labels; EDPM rubber cover gasket; nitrile rubber, non-sulphur cured button covers  
Weight: 0.26 kg (0.57 lbs)  
Mounting: #10 or M5 (SS M5 hardware included)  
Max. Tightening Torque: 0.56 N-m (5 lbf-in)

### Wiring Access

Four PG-7, One 1/2-inch NPT, One 5-pin threaded M12/Euro-style male quick disconnect

### Discrete Outputs

Update Rate: Up to 62.5 milliseconds  
Output State Following Timeout: OFF  
ON Condition (PNP): Supply minus 2 V  
OFF Condition (PNP): Less than 2 V

### Discrete Output Rating (PNP)

100 mA max current at 30 V dc  
ON-State Saturation: Less than 3 V at 100 mA  
OFF-state Leakage: Less than 10 µA

## Included with the DX80 and DX80...C Models

- BWA-HW-002: DX80 Access Hardware Kit, containing four PG-7 plastic threaded plugs, four PG-7 nylon gland fittings, four PG-7 hex nuts, one 1/2-inch NPT plug, and one 1/2-inch nylon gland fitting. (Not included with IP20 DX80...C models)
- BWA-HW-001: Mounting Hardware Kit, containing four M5-0.8 x 25mm SS screws, four M5-0.8 x 16mm SS screws, four M5-0.8mm SS hex nuts, and four #8-32 x 3/4" SS bolts
- BWA-HW-003: PTFE tape
- BWA-9O2-C (900 MHz) or BWA-2O2-C (2.4 GHz): Antenna, 2 dBd Omni, Rubber Swivel RP-SMA Male. (Not included with Internal antenna models)
- MQDC1-506: 5-Euro (single ended) straight cable, 2m (Not included with FlexPower devices)
- BWA-HW-011: IP20 Screw Terminal Headers (2 pack) (Included only with the IP20 DX80...C models)
- Product datasheet and product family Quick Start Guide ([128185](#) for DX80 Gateways or [152653](#) for MultiHop models)

## Environmental Specifications

### Operating Conditions

-40 °C to +85 °C (-40 °F to +185 °F) (Electronics); -20 °C to +80 °C (-4 °F to +176 °F) (LCD)  
95% maximum relative humidity (non-condensing)  
Radiated Immunity: 10 V/m (EN 61000-4-3)

### Shock and Vibration

IEC 68-2-6 and IEC 68-2-27  
Shock: 30g, 11 millisecond half sine wave, 18 shocks  
Vibration: 0.5 mm p-p, 10 to 60 Hz

### Environmental Ratings

IEC IP67; NEMA 6  
Refer to the Sure Cross® Wireless I/O Networks Instruction Manual (p/n [132607](#)) for installation and waterproofing instructions.

Operating the devices at the maximum operating conditions for extended periods can shorten the life of the device.

## Warnings

**Install and properly ground a qualified surge suppressor when installing a remote antenna system.** Remote antenna configurations installed without surge suppressors invalidate the manufacturer's warranty. Keep the ground wire as short as possible and make all ground connections to a single-point ground system to ensure no ground loops are created. No surge suppressor can absorb all lightning strikes; do not touch the Sure Cross® device or any equipment connected to the Sure Cross device during a thunderstorm.

**Exporting Sure Cross® Radios.** It is our intent to fully comply with all national and regional regulations regarding radio frequency emissions. **Customers who want to re-export this product to a country other than that to which it was sold must ensure the device is approved in the destination country.** A list of approved countries appears in the *Radio Certifications* section of the product manual. The Sure Cross wireless products were certified for use in these countries using the antenna that ships with the product. When using other antennas, verify you are not exceeding the transmit power levels allowed by local governing agencies. Consult with Banner Engineering Corp. if the destination country is not on this list.

## Banner Engineering Corp. Limited Warranty

Banner Engineering Corp. warrants its products to be free from defects in material and workmanship for one year following the date of shipment. Banner Engineering Corp. will repair or replace, free of charge, any product of its manufacture which, at the time it is returned to the factory, is found to have been defective during the warranty period. This warranty does not cover damage or liability for misuse, abuse, or the improper application or installation of the Banner product.

**THIS LIMITED WARRANTY IS EXCLUSIVE AND IN LIEU OF ALL OTHER WARRANTIES WHETHER EXPRESS OR IMPLIED (INCLUDING, WITHOUT LIMITATION, ANY WARRANTY OF MERCHANTABILITY OR FITNESS FOR A PARTICULAR PURPOSE), AND WHETHER ARISING UNDER COURSE OF PERFORMANCE, COURSE OF DEALING OR TRADE USAGE.**

This Warranty is exclusive and limited to repair or, at the discretion of Banner Engineering Corp., replacement. **IN NO EVENT SHALL BANNER ENGINEERING CORP. BE LIABLE TO BUYER OR ANY OTHER PERSON OR ENTITY FOR ANY EXTRA COSTS, EXPENSES, LOSSES, LOSS OF PROFITS, OR ANY INCIDENTAL, CONSEQUENTIAL OR SPECIAL DAMAGES RESULTING FROM ANY PRODUCT DEFECT OR FROM THE USE OR INABILITY TO USE THE PRODUCT, WHETHER ARISING IN CONTRACT OR WARRANTY, STATUTE, TORT, STRICT LIABILITY, NEGLIGENCE, OR OTHERWISE.**

Banner Engineering Corp. reserves the right to change, modify or improve the design of the product without assuming any obligations or liabilities relating to any product previously manufactured by Banner Engineering Corp. Any misuse, abuse, or improper application or installation of this product or use of the product for personal protection applications when the product is identified as not intended for such purposes will void the product warranty. Any modifications to this product without prior express approval by Banner Engineering Corp will void the product warranties. All specifications published in this document are subject to change; Banner reserves the right to modify product specifications or update documentation at any time. Specifications and product information in English supersede that which is provided in any other language. For the most recent version of any documentation, refer to: [www.bannerengineering.com](http://www.bannerengineering.com).

For patent information, see [www.bannerengineering.com/patents](http://www.bannerengineering.com/patents).