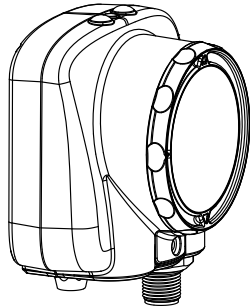


## Datasheet

The iVu Plus BCR package consists of lighting, sensor, lens, and display. This version of the iVu Plus has an integrated display to set up and monitor inspections. Cables and mounting brackets can be ordered for each application. Additionally, other lenses, filters, and external lights are available.



### Features

- No PC required to configure the sensor
- Image processing expertise is not required
- Multiple inspections that facilitate storing and controlling up to 30 inspections for fast product turnover
- USB port for uploading and downloading of inspections and log files for easy updating and diagnostics
- Integrated color touch screen display
- Ethernet communications for communication with the sensor
- A RS-232 serial communications port that is used to output barcode data to other applications
- High speed processing
- Adjustable image resolution up to 752x480 pixels

The iVu Plus BCR reads the following barcode types:

- DataMatrix (ECC 200) barcodes
- QR Code (QR and Micro QR)
- Linear barcodes: Code128, Code39, CODABAR, Interleaved 2 of 5, EAN13, EAN8, UPCE, Postnet, IMB, and Pharmacode



### WARNING: Not To Be Used for Personnel Protection

Never use this device as a sensing device for personnel **protection**. Doing so could lead to serious injury or death. This device does not include the self-checking redundant circuitry necessary to allow its use in personnel safety applications. A sensor failure or malfunction can cause either an energized or de-energized sensor output condition.

## Models

Ring Light Options	Micro Video Lens Options						C-Mount Lens Options
	4.3 mm	6 mm	8 mm	12 mm	16 mm	25 mm	
None	IVU2PTBX04	IVU2PTPX06	IVU2PTBX08	IVU2PTBX12	IVU2PTBX16	IVU2PTBX25	IVU2PTBXC
Red	IVU2PTBR04	IVU2PTBR06	IVU2PTBR08	IVU2PTBR12	IVU2PTBR16	IVU2PTBR25	N/A
Blue	IVU2PTBB04	IVU2PTBB06	IVU2PTBB08	IVU2PTBB12	IVU2PTBB16	IVU2PTBB25	N/A
Green	IVU2PTBG04	IVU2PTBG06	IVU2PTBG08	IVU2PTBG12	IVU2PTBG16	IVU2PTBG25	N/A
IR	IVU2PTBI04	IVU2PTBI06	IVU2PTBI08	IVU2PTBI12	IVU2PTBI16	IVU2PTBI25	N/A
White	IVU2PTBW04	IVU2PTBW06	IVU2PTBW08	IVU2PTBW12	IVU2PTBW16	IVU2PTBW25	N/A
UV 365 <sup>1</sup>	IVU2PTB604	IVU2PTB606	IVU2PTB608	IVU2PTB612	IVU2PTB616	IVU2PTB625	N/A
UV 395 <sup>1</sup>	IVU2PTB904	IVU2PTB906	IVU2PTB908	IVU2PTB912	IVU2PTB916	IVU2PTB925	N/A



Note: This product emits UV light. Exempt Risk Group (RG 0) product. No optical hazard is considered reasonably foreseeable, even for continuous, unrestricted use (IEC 62471).

<sup>1</sup> Blue Filter Kit (FLTMB) is included with UV models.



## Specifications

### Power Connection

12-pin Euro-style (M12) male connector; accessory cable required for operation

### USB 2.0 Host

4-pin Pico (M8) female connector; optional USB cable required for operation of USB flash drive

### Ethernet Connection

4-pin Pico (M8) male connector

### Power Requirements

Voltage: 10 to 30 V dc

Current: 1 A maximum (exclusive of I/O load)

### Output Configuration

NPN or PNP, software selectable

### Demo Mode

Full tool functionality on canned images

### Sensor Lock

Optional password protection

### Integrated Ring Light

Models with Red, IR, Green, Blue, White or no integrated ring light

### Output Rating

150 mA

### Acquisition

60 fps (frames per second)<sup>2</sup>

### Exposure Time

0.1 ms to 1.049 s

### Imager

1/3 inch CMOS 752 × 480 pixels; adjustable Field of View (FOV)

### Lens Mount

Micro Video Lens models: M12 × 1 mm thread; micro video lens 4.3, 6, 8, 12, 16, 25 mm

C-Mount models: Standard C-mount (1 inch-32 UN)

### Construction

Black PBT sensor housing; die cast zinc back cover; acrylic window  
Weight: 0.36 kg (0.80 lbs)

### Environmental Rating

IEC IP67

### Operating Conditions

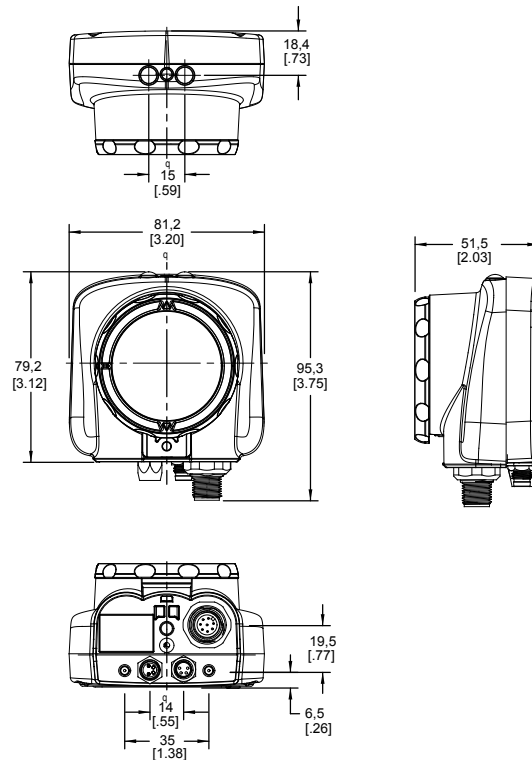
Stable Ambient Temperature: 0 °C to +45 °C (+32 °F to +113 °F)

### Certifications



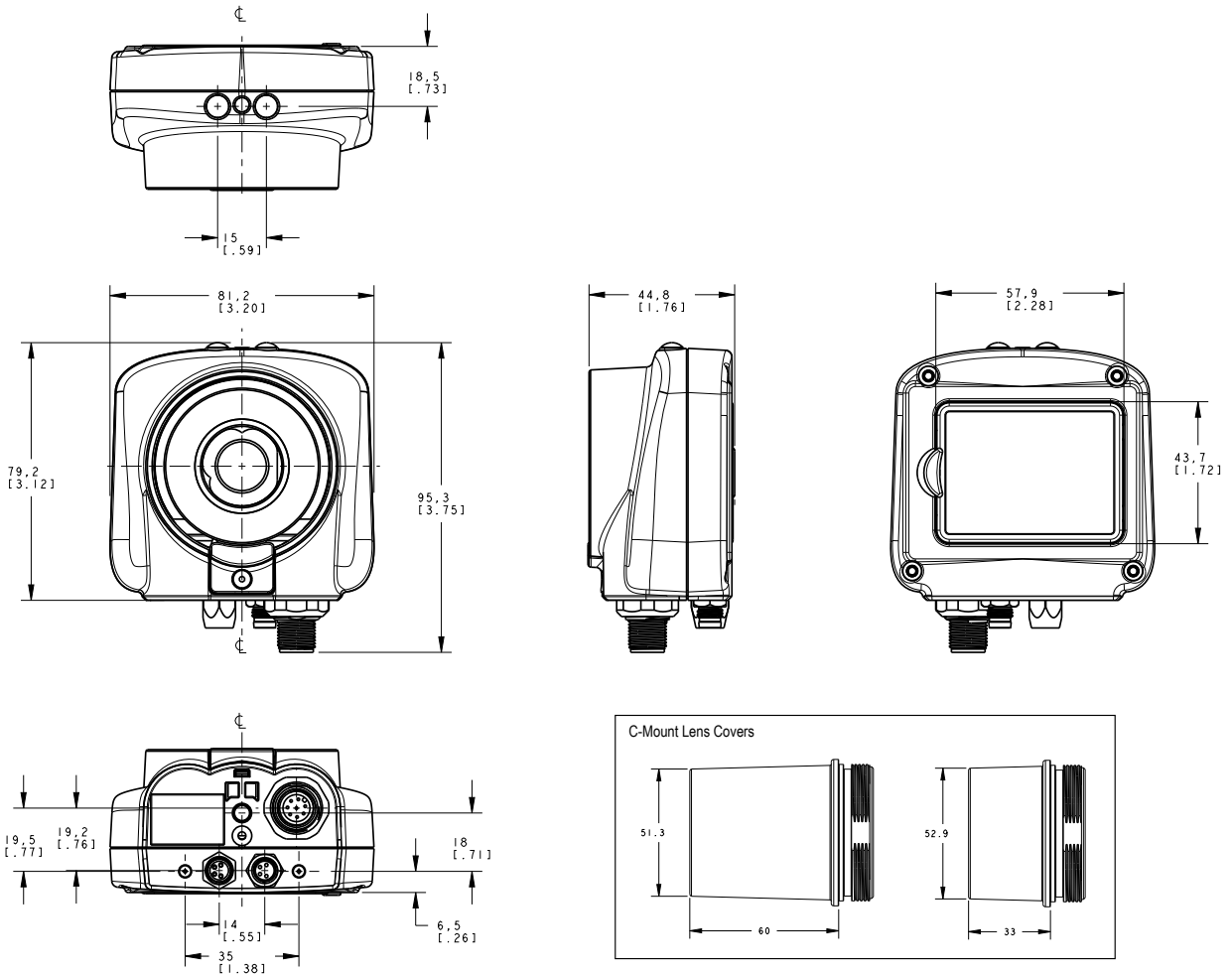
## Dimensions

### Micro Video Lens Dimensions



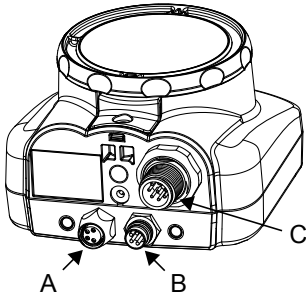
<sup>2</sup> This value can vary based on inspection settings.

C-Mount Lens Dimensions



## Cable Connections for Integrated Display

The cable connections on the iVu Plus with integrated display are shown below, and power I/O connections (C) are defined in the Power I/O Connections table below.



- A USB Connector
- B Ethernet Connector
- C Power I/O Connector



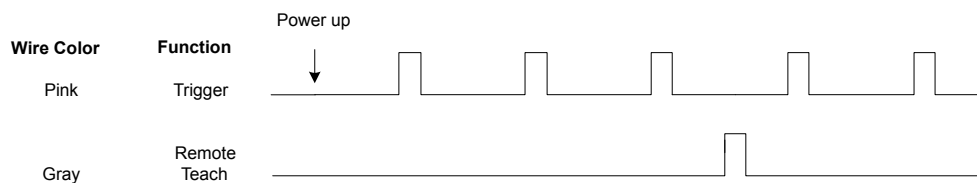
Note: Micro video lens model shown, C-Mount model connections are identical.

Power I/O Connections			
Pin #	Wire Color	Description	Direction
1	White	Output 1	Output
2	Brown	10-30V dc	Input
3	Green	Output 2	Output
4	Yellow	Strobe Out (5V dc only)	Output
5	Gray	Remote Teach	Input
6	Pink	External Trigger	Input
7	Blue	Common (Signal Ground)	Input
8	Red	Ready	Output
9	Orange	Output 3	Output
10	Light Blue	RS-232 TX	Output
11	Black	RS-232 Signal Ground	Output
12	Violet	RS-232 Rx	Input

## iVu Trigger, Remote Teach, and I/O Waveforms

The iVu has two input signals—Trigger and Remote Teach. The default setting is to detect the low to high transition. This setting can be changed in the Main Menu > System > Discrete I/O > Input Polarity screen on the sensor.

### PNP (Low-to-High) Trigger and Remote Teach Input Waveforms



The sensor triggers from low to high, and Remote Teach behaves electrically like trigger.

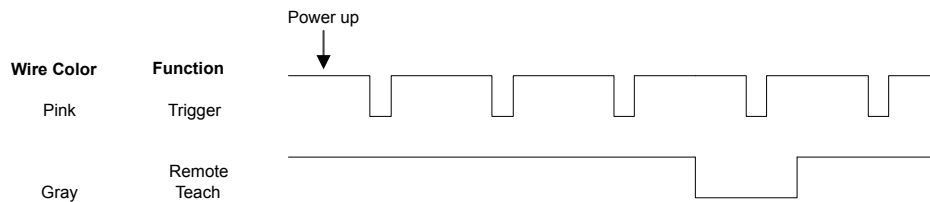


Note:

Table 1: Required iVu Input Signal Voltage

	ON	OFF
PNP	+10 to 30 V dc	< 2 V dc

### NPN (High-to-Low) Trigger and Remote Teach Input Waveforms



The sensor triggers from high to low, and Remote Teach behaves electrically like trigger.



Note:

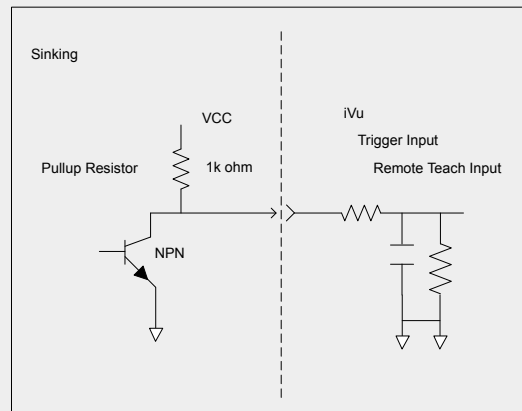
Table 2: Required iVu Input Signal Voltage

	ON	OFF
NPN	< 2 V dc	+10 to 30 V dc



Note: If the device used to trigger or remote teach the iVu Plus BCR is a sinking device, these are the options regarding the use of a pull-up resistor:

**Option 1:** Put a pull-up resistor, rated approximately 1k ohm, between the sensor's positive (+) voltage and the sensor's input as shown below.



**Option 2:** Enable the Input Pullup in the iVu Plus BCR software (Main Menu > System > Discrete I/O > Input Pullup).

## iVu Output Waveforms

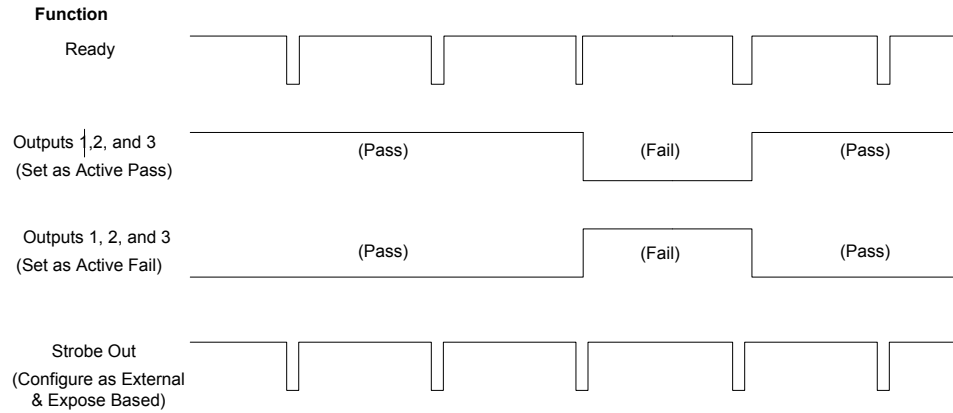


Figure 1. PNP Outputs

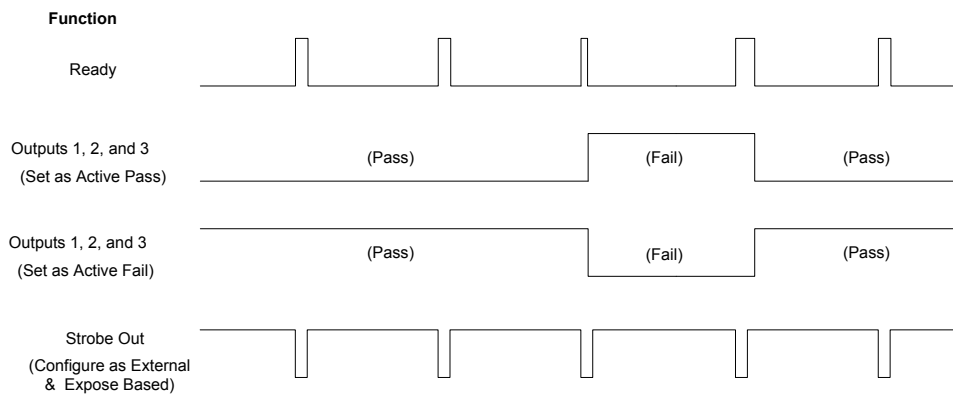


Figure 2. NPN Outputs

Note:

Table 3: Expected iVu Output Signal Voltage

	ON	OFF
PNP	+ V	0 V
NPN	+1 V	+V

## Accessories

### Power Cable — Required

12-Pin M12/Euro-Style Cordsets with Open Shield				
Model	Length	Style	Dimensions	Pinout (Female)
MQDC2S-1206	1.83 m (6 ft)	Straight		<ul style="list-style-type: none"> <li>1 = White</li> <li>2 = Brown</li> <li>3 = Green</li> <li>4 = Yellow</li> <li>5 = Gray</li> <li>6 = Pink</li> <li>7 = Blue</li> <li>8 = Red</li> <li>9 = Orange</li> <li>10 = Light Blue</li> <li>11 = Black</li> <li>12 = Violet</li> </ul>
MQDC2S-1215	4.57 m (15 ft)			
MQDC2S-1230	9.14 m (30 ft)			
MQDC2S-1250	15.2 m (50 ft)			
MQDC2S-1275	22.9 m (75 ft)			
MQDC2S-1206RA	1.83 m (6 ft)	Right Angle		
MQDC2S-1215RA	4.57 m (15 ft)			
MQDC2S-1230RA	9.14 m (30 ft)			
MQDC2S-1250RA	15.2 m (50 ft)			

### Ethernet Cable Options

RJ45 Ethernet to 4-Pin Threaded M8/Pico-Style Cordsets				
Model	Length	Style	Dimensions	Pinout
IVUC-E-406	1.83 m (6 ft)	Cat5e Shielded		<ul style="list-style-type: none"> <li>1 = Blue</li> <li>2 = White/Blue</li> <li>3 = White/Orange</li> <li>4 = Orange</li> </ul>
IVUC-E-415	4.57 m (15 ft)			
IVUC-E-430	9.14 m (30 ft)			
IVUC-E-450	15.2 m (50 ft)			
IVUC-E-475	22.9 m (75 ft)			

### USB Cable — Optional

4-Pin Threaded M8/Pico-Style to USB Cordsets with Shield—Double Ended				
Model	Length	Style	Dimensions	Pinout
PSG-4M-4005-USB	0.15 m (6 in)	Straight Pico QD/ USB		<ul style="list-style-type: none"> <li>1 +5V dc</li> <li>2 Data -</li> <li>3 Data +</li> <li>4 GND</li> </ul> <p>Male</p>
PSG-4M-401-USB	0.31 m (1 ft)			
PSG-4M-403-USB	0.91 m (3 ft)			
PSG-4M-410-USB	3 m (10 ft)			<ul style="list-style-type: none"> <li>1 = Red</li> <li>2 = White</li> <li>3 = Black</li> <li>4 = Green</li> </ul>

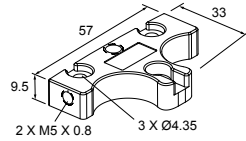
## USB Flash Drive — **Optional**

Model	Description
IVU-USBFD2	USB Flash Drive 2 GB

## Brackets

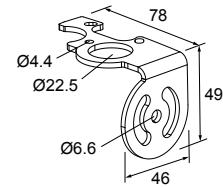
### SMBIVUB

- Bottom mounting bracket
- Black anodized aluminum
- Hardware included



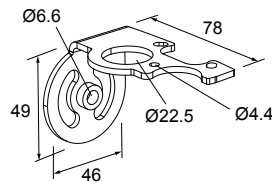
### SMBIVURAL

- Right-angle bracket for mounting sensor from the left
- 12-ga. stainless steel
- Hardware included



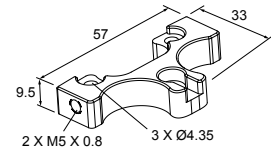
### SMBIVURAR

- Right-angle bracket for mounting sensor from right
- 12-ga. stainless steel
- Hardware included



### SMBIVUUU

- U-shaped swivel bracket kit
- 14-ga. stainless steel
- Hardware included



Note: Use cables with right-angle connectors with this bracket kit.

## Micro Video Lens Accessories

### Micro Video Lens Models

Model	Lens Description
LMF04 <sup>3</sup>	4.3 mm lens
LMF06	6 mm lens
LMF08	8 mm lens
LMF12	12 mm lens
LMF16	16 mm lens
LMF25	25 mm lens

## Micro Video Lens Filters — **Optional**

Model	Description
FLTMR2	Red and dark red filter kit
FLTMI	Infrared filter kit
FLTMB	Blue filter kit
FLTMG	Green filter kit

<sup>3</sup> Due to the flexibility of the replaceable lenses, focus mechanism, and imager field-of-view settings, it is possible with the 4.3 mm lens to experience reflections from the internal strobe on the inspection image. To eliminate this effect, the field-of-view can be limited to the system default of 320×240 (or 640×480 for fine), the working distance to the object should be no more than about 8 inches, or an external strobe should be used instead of the internal ring light.



## C-Mount Lens Accessories

### C-Mount Lens Models

Model	Lens <b>Description</b>
LCF04	4 mm Lens - no threads for filter
LCF08	8 mm Lens - no threads for filter
LCF12	12 mm Lens - no threads for filter
LCF16	16 mm Lens, aperture lock - no threads for filter
LCF25R	25mm lens
LCF25LR	25mm lens with focus locking
LCF50L1R	50mm lens with focus locking, plastic
LCF50L2R	50mm lens with focus locking, metal (will not fit ring)
LCF75LR	75mm lens with focus locking, metal (will not fit ring)

### C-Mount Lens Enclosure Choices

Model	Description
IVUSLC50-P	Sealed C-mount lens enclosure
IVUSLC75-P	

### C-Mount Lens Filters — **Optional**

Model	Description
FLTR	Red filter kit
FLTB	Blue filter kit
FLTG	Green filter kit
FLTI	IR Filter kit

## Banner Engineering Corp. Limited Warranty

Banner Engineering Corp. warrants its products to be free from defects in material and workmanship for one year following the date of shipment. Banner Engineering Corp. will repair or replace, free of charge, any product of its manufacture which, at the time it is returned to the factory, is found to have been defective during the warranty period. This warranty does not cover damage or liability for misuse, abuse, or the improper application or installation of the Banner product.

THIS LIMITED WARRANTY IS EXCLUSIVE AND IN LIEU OF ALL OTHER WARRANTIES WHETHER EXPRESS OR IMPLIED (INCLUDING, WITHOUT LIMITATION, ANY WARRANTY OF MERCHANTABILITY OR FITNESS FOR A PARTICULAR PURPOSE), AND WHETHER ARISING UNDER COURSE OF PERFORMANCE, COURSE OF DEALING OR TRADE USAGE.

This Warranty is exclusive and limited to repair or, at the discretion of Banner Engineering Corp., replacement. IN NO EVENT SHALL BANNER ENGINEERING CORP. BE LIABLE TO BUYER OR ANY OTHER PERSON OR ENTITY FOR ANY EXTRA COSTS, EXPENSES, LOSSES, LOSS OF PROFITS, OR ANY INCIDENTAL, CONSEQUENTIAL OR SPECIAL DAMAGES RESULTING FROM ANY PRODUCT DEFECT OR FROM THE USE OR INABILITY TO USE THE PRODUCT, WHETHER ARISING IN CONTRACT OR WARRANTY, STATUTE, TORT, STRICT LIABILITY, NEGLIGENCE, OR OTHERWISE.

Banner Engineering Corp. reserves the right to change, modify or improve the design of the product without assuming any obligations or liabilities relating to any product previously manufactured by Banner Engineering Corp. Any misuse, abuse, or improper application or installation of this product or use of the product for personal protection applications when the product is identified as not intended for such purposes will void the product warranty. Any modifications to this product without prior express approval by Banner Engineering Corp will void the product warranties. All specifications published in this document are subject to change; Banner reserves the right to modify product specifications or update documentation at any time. Specifications and product information in English supersede that which is provided in any other language. For the most recent version of any documentation, refer to:

[www.bannerengineering.com](http://www.bannerengineering.com).

