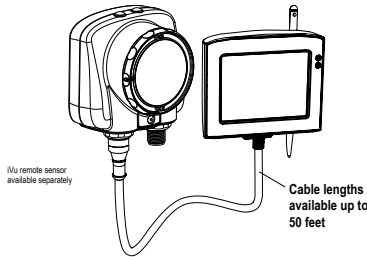


iVu Handheld Remote Display

For use with iVu Remote Series Sensors



Features



- 89 mm (3.5 in) diagonal color LCD flat-panel touch screen display
- Connects directly to an iVu Remote Series sensor
- Five cordset lengths available, ordered separately
- Provides remote viewing of the iVu sensor image and user interface
- Exceptionally wide viewing angle—60 degrees left and 60 degrees right; 50 degrees up, and 55 degrees down
- Small and lightweight display unit with an ergonomic shape that fits comfortably in the hand
- Two LEDs provide feedback on the remote sensor operation—one for Power/Error, and the other indicating inspection Pass/Fail
- Can be safely disconnected and reconnected to a live sensor
- Mounting bracket and stylus included with cordset kit (ordered separately)

Models

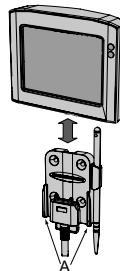
Model	Description
RD35	89 mm (3.5 in) Diagonal Handheld Remote Touch Screen

Using the iVu Handheld Remote Display with iVu Sensors

The iVu Handheld Remote Display is used to setup iVu models that do not have integrated touch-screen displays. The Hand Held Remote Display was designed to be used in applications where the Remote Display will be disconnected from the sensor after programming - it is not intended to be used as a monitoring device.

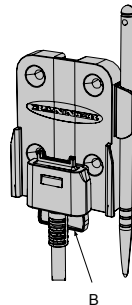
For applications that require a permanently mounted display, Banner recommends using the RDM35 model of the iVu sensors.

- A single Handheld Remote Display can be moved from one docking station to another. To set up an iVu sensor, slide the handheld remote display onto its docking station tracks (A) until the connector at the bottom of the display engages the docking station cable. The display will immediately be operational.



NOTE: The docking station and stylus are included with the Remote Display cable.

- The iVu Handheld Remote Display has a cable directly connecting it to an iVu sensor. To remove the cable along with the display from a docking station, push the cable release tab (B) and slide the display up and off of the docking station.



Specifications

Screen Size

3.5 in. diagonal

LCD Aspect Ratio

4:3

Display Resolution

320 x 240 RGB

Viewing Angle

60 degrees left, and 60 degrees right; 50 degrees up, and 55 degrees down

Housing Material

Polycarbonate

Bracket Material

Delrin

Stylus

Delrin

Display Weight

4.8 oz

Bracket with Stylus Weight

1.1 oz

Connection

Molex HandyLink connector

Operating Temperature

0° to 50° C (32° to 122° F)

Environmental Rating

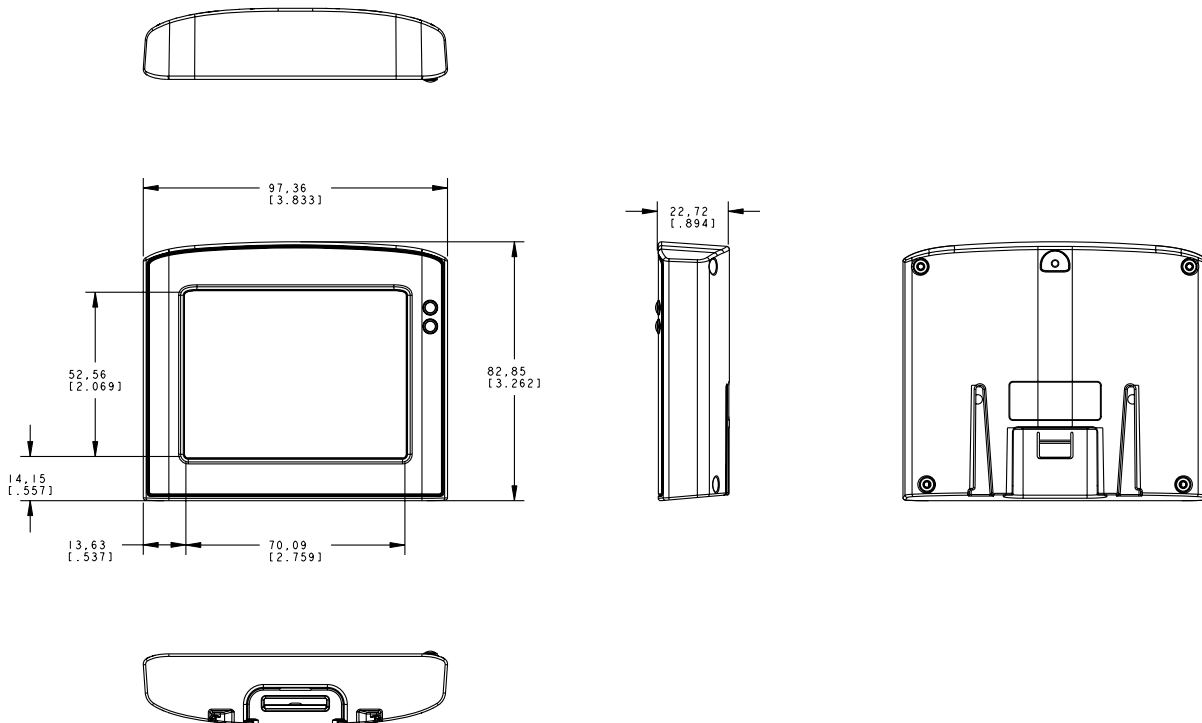
IEC60529

Certifications

CE

Dimensions

All measurements in mm (in).



Accessories

Cordsets

Table 1: Cordsets

Model	Length	Description
IVURD-MX-803	0.91 m (3 ft)	8-pin cable, straight, M12-Molex
IVURD-MX-806	1.83 m (6 ft)	8-pin cable, straight, M12-Molex
IVURD-MX-815	4.57 m (15 ft)	8-pin cable, straight, M12-Molex
IVURD-MX-830	9.14 m (30 ft)	8-pin cable, straight, M12-Molex
IVURD-MX-850	15.2 m (50 ft)	8-pin cable, straight, M12-Molex
IVURD-MX-803RA	0.91m (3 ft)	8-pin cable, right-angle, M12-Molex
IVURD-MX-806RA	1.83m (6 ft)	8-pin cable, right-angle, M12-Molex
IVURD-MX-815RA	4.57m (15 ft)	8-pin cable, right-angle, M12-Molex
IVURD-MX-830RA	9.14m (30 ft)	8-pin cable, right-angle, M12-Molex
IVURD-MX-850RA	15.2m (50 ft)	8-pin cable, right-angle, M12-Molex

Table 2: Kits

Model	Length	Description
IVURD-MXK-803	0.91 m (3 ft)	8-pin cable, straight, M12-Molex Mounting Bracket (SMBRD35) Stylus
IVURD-MXK-806	1.83 m (6 ft)	8-pin cable, straight, M12-Molex Mounting Bracket (SMBRD35) Stylus
IVURD-MXK-815	4.57 m (15 ft)	8-pin cable, straight, M12-Molex Mounting Bracket (SMBRD35) Stylus
IVURD-MXK-830	9.14 m (30 ft)	8-pin cable, straight, M12-Molex Mounting Bracket (SMBRD35) Stylus
IVURD-MXK-850	15.2 m (50 ft)	8-pin cable, straight, M12-Molex Mounting Bracket (SMBRD35) Stylus
IVURD-MXK-803RA	0.91m (3 ft)	8-pin cable, right-angle, M12-Molex Mounting Bracket (SMBRD35) Stylus
IVURD-MXK-806RA	1.83m (6 ft)	8-pin cable, right-angle, M12-Molex Mounting Bracket (SMBRD35) Stylus
IVURD-MXK-815RA	4.57m (15 ft)	8-pin cable, right-angle, M12-Molex Mounting Bracket (SMBRD35) Stylus
IVURD-MXK-830RA	9.14m (30 ft)	8-pin cable, right-angle, M12-Molex Mounting Bracket (SMBRD35) Stylus
IVURD-MXK-850RA	15.2m (50 ft)	8-pin cable, right-angle, M12-Molex Mounting Bracket (SMBRD35) Stylus



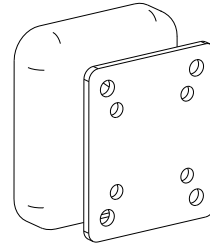
NOTE: All cable kits include a bracket/docking station and stylus.

Docking Station Bracket/Docking Station Mounts (Optional)

The bracket/docking station comes with mounting hardware to mount directly to a wall. This is a rigid mount. To get some degree of tilt and rotation, attach the bracket/docking station to a knuckle swivel (SMBKS shown), and mount this assembly to a wall.

SMBKS

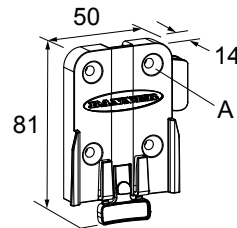
- Knuckle swivel has an AMPS mounting pattern
- Provides 30° tilt of the remote display in any direction with 360° rotation
- Mounting platform extends 1.5 in. from base of mount.
- Mounting hardware included
- Works only with SMBRD35



SMBRD35

- Docking station
- Works with SMBKS

Hole size: A = \varnothing 2.3



Alternatively, the back of the bracket/docking station has a 1/4-20 insert so that the Remote Display can mount on one of the knuckles listed.

Model	Description	
SMBPPK3	76 mm (3 in) Column, Base, and Knuckle Kit	
SMBPPK6	152 mm (6 in) Column, Base, and Knuckle Kit	
SMBPPK	Mounting Bracket Knuckle	
SMBPPKE3	Mounting Bracket Knuckle 76 mm (3 in) Extension	
SMBPPKE6	Mounting Bracket Knuckle 152 mm (6 in) Extension	
SMBPPKB	Mounting Bracket Base	
SMBPPLK	51 mm (2 in) Mounting Knuckle Assembly	

Banner Engineering Corp Limited Warranty

Banner Engineering Corp. warrants its products to be free from defects in material and workmanship for one year following the date of shipment. Banner Engineering Corp. will repair or replace, free of charge, any product of its manufacture which, at the time it is returned to the factory, is found to have been defective during the warranty period. This warranty does not cover damage or liability for misuse, abuse, or the improper application or installation of the Banner product.

THIS LIMITED WARRANTY IS EXCLUSIVE AND IN LIEU OF ALL OTHER WARRANTIES WHETHER EXPRESS OR IMPLIED (INCLUDING, WITHOUT LIMITATION, ANY WARRANTY OF MERCHANTABILITY OR FITNESS FOR A PARTICULAR PURPOSE), AND WHETHER ARISING UNDER COURSE OF PERFORMANCE, COURSE OF DEALING OR TRADE USAGE.

This Warranty is exclusive and limited to repair or, at the discretion of Banner Engineering Corp., replacement. **IN NO EVENT SHALL BANNER ENGINEERING CORP. BE LIABLE TO BUYER OR ANY OTHER PERSON OR ENTITY FOR ANY EXTRA COSTS, EXPENSES, LOSSES, LOSS OF PROFITS, OR ANY INCIDENTAL, CONSEQUENTIAL OR SPECIAL DAMAGES RESULTING FROM ANY PRODUCT DEFECT OR FROM THE USE OR INABILITY TO USE THE PRODUCT, WHETHER ARISING IN CONTRACT OR WARRANTY, STATUTE, TORT, STRICT LIABILITY, NEGLIGENCE, OR OTHERWISE.**

Banner Engineering Corp. reserves the right to change, modify or improve the design of the product without assuming any obligations or liabilities relating to any product previously manufactured by Banner Engineering Corp.