

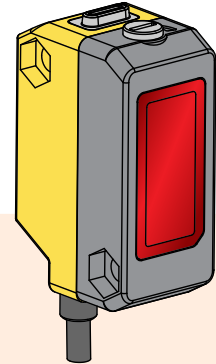
# QS18AF300 Mechanically Adjustable Background Suppression Sensor (30-300mm)



## Features

Compact sensors featuring extended range and background suppression mode

- Exceptional optical performance; up to 300 mm sensing range in compact QS18 housing
- Background suppression models for reliable detection of objects when the background condition is not controlled or fixed
- Simple multi-turn screw adjustment of cutoff distance
- Enhanced immunity to fluorescent lights
- Crosstalk immunity algorithm allows two sensors to be used in close proximity
- Visible red emitter



### WARNING:



- **Do not use this device for personnel protection**
- Using this device for personnel protection could result in serious injury or death.
- This device does not include the self-checking redundant circuitry necessary to allow its use in personnel safety applications. A device failure or malfunction can cause either an energized (on) or de-energized (off) output condition.

## Models

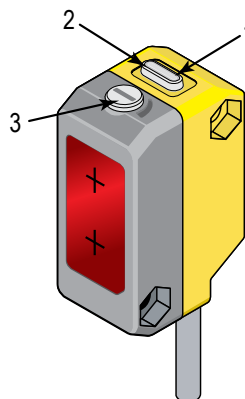
Models	Supply Voltage	Sensing Range	Output Type
QS18VN6AF300	10 to 30 V DC	Adjustable Cutoff: 30 to 300 mm Minimum sensing range 4 to 10 mm depending on cutoff	NPN
QS18VP6AF300			PNP
QS18AB6AF300			Bipolar (1 NPN & 1 PNP)

Only standard 2 m (6.5 ft) cable models are listed.

- To order 9 m (30 ft) cable models: add suffix "W/30" to the model number (for example, **QS18VN6AF300 W/30**).
- To order 150 mm (6 in) cable with a 4-pin M8 connector models, add suffix "Q" to the model number (for example, **QS18VN6AF300Q**)
- To order 150 mm (6 in) cable with a 4-pin M12 connector models, add suffix "Q5" to the model number (for example, **QS18VN6AF300Q5**)

## Overview

QS18AF Mechanically Adjustable Background Suppression Sensor ignore objects beyond the set cutoff distance. Background suppression mode can be used in most situations with varying object color and position or with varying background conditions.



1. Green: Power Indicator
2. Yellow: Light Sensed Indicator (Flashes for Marginal Conditions)
3. Cutoff Point Adjustment Screw

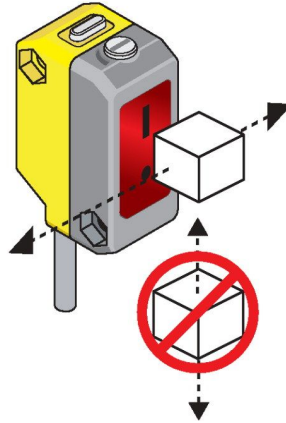


## Installation Instructions

### Sensor Orientation for a QS18AF BGS

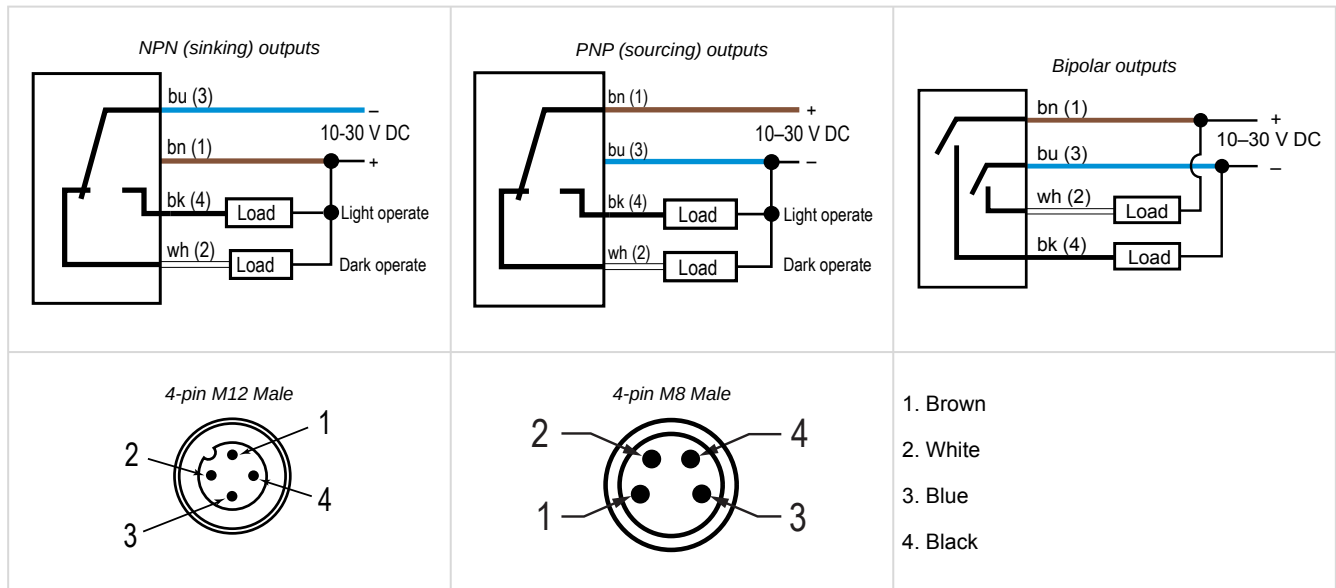
To ensure reliable detection, orient the sensor as shown in relation to the target to be detected.

Optimal Orientation of Target to Sensor



### QS18 Wiring Diagrams

Cabled wiring diagrams are shown. Quick disconnect wiring diagrams are functionally identical.



In dark operate (DO) mode, the output is ON when the target returns less light to the sensor than the configured target and OFF when the sensor detects more light than the configured/taught target.

In light operate (LO) mode, the output is ON when the target returns the same or more light to the sensor and OFF when the sensor detects less light than the configured/taught target.

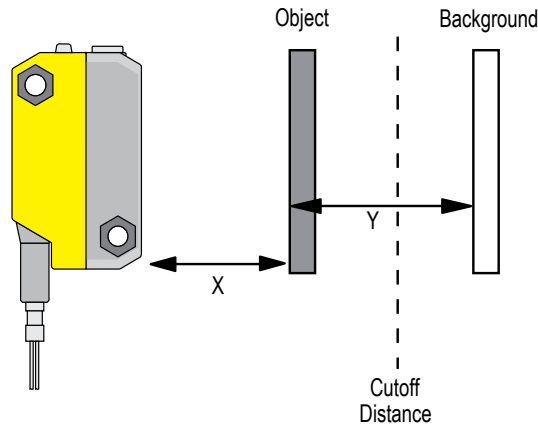
In **adjustable field** sensing modes, light operate is active when the target is present and dark operate is active when the target is absent.

### Configure the QS18AF with Background Suppression (BGS)

**Background Suppression:** Objects beyond the set cutoff distance are not detected. Background suppression mode can be used in most situations with varying object colors and positions or with varying background conditions.

To ensure reliable background suppression, a minimum separation distance between the object and the background is necessary. See to determine the minimum separation distance.

Set the cutoff distance approximately midway between the farthest object and the closest background



X: Distance to the Object

Y: Minimum Separation Between the Object and the Background

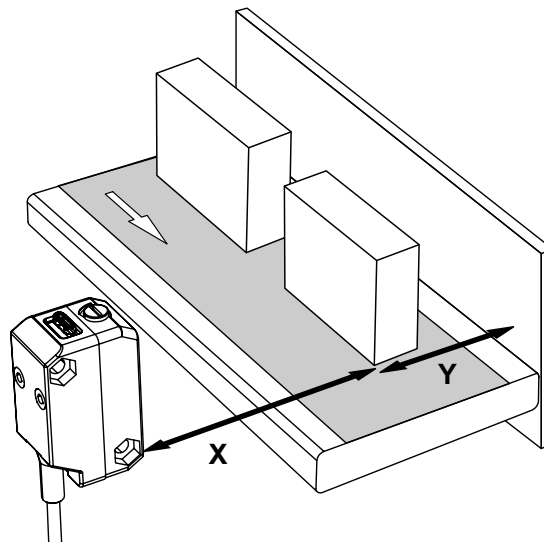
1. Mount the sensor with the darkest object at the longest application distance. The distance to the object must be less than shown in the *Minimum Separation Distance* figure in for your object color.
2. Turn the adjustment potentiometer **counter-clockwise** until the yellow indicator turns **off** (5 turns maximum).
3. Turn the adjustment potentiometer **clockwise** until the yellow indicator turns **on**.
4. Replace the darkest object with the brightest background at the closest application distance.
5. Turn the adjustment potentiometer **clockwise**, counting the revolutions, until the yellow indicator turns **on**.
6. Turn the adjustment potentiometer **counter-clockwise** half of the number of turns from step 5. This places the cutoff distance midway between the object and the background switchpoints.  
The sensor is ready for operation.

## Example QS18AF BGS Sensor Configuration

An object with a reflectivity similar to black paper is set 150 mm away from the sensor. A background with a reflectivity similar to white paper is set 200 mm away from the sensor.

According to the *Minimum Separation Distance* figure in , the minimum separation distance between the object and the background is 12 mm. In this application, reliable detection is achieved when set up according to the procedure outlined in .

*Background Suppression Mode Application Example*



1. Object
  2. Conveyor
  3. Background
- X: Distance to the Object = 150 mm  
Y: Minimum Separation Between the Object and the Background > 12 mm

## Output States

Background Suppression Mode				
Sensor Model Type	Output	Object Inside Minimum Sensing Range	Object Between Minimum Sensing Range and Cutoff Distance	Object Beyond Cutoff Distance
All Models	Yellow Indicator Light	Undefined	ON	OFF
Complementary Models	Black Wire (Pin 4)	Undefined	ON	OFF
	White Wire (Pin 2)	Undefined	OFF	ON
Bipolar Models	Black Wire (Pin 4)	Undefined	ON	OFF
	White Wire (Pin 2)	Undefined	ON	OFF

## Specifications

### Supply Voltage

10 V DC to 30 V DC (10% maximum ripple within specified limits) at less than 16 mA, exclusive of load

### Sensing Beam

Visible red LED, 640 nm

### Supply Protection Circuitry

Protected against reverse polarity and transient voltages

### Output Configuration

Solid-state complementary: NPN or PNP (current sinking or sourcing), or bipolar (both sinking and sourcing) depending on model;

Rating: 100 mA total output current

**Off-state leakage current:** < 50 µA at 30 V dc

**ON-state saturation voltage:** < 1.5 V at 10 mA; < 3.0 V at 100 mA

Protected against false pulse on power-up and continuous overload or short circuit of outputs

### Application Notes

For mirror-like objects, minimize the sensor-to-object mounting distance and tilt the sensor so reflected light is directed away from the sensor when the object is present.

### Construction

ABS housing, acrylic lens cover; PVC cable, nickel-plated brass connector, metal adjustment pot

### Output Response

2.8 millisecond ON/OFF

**Note:** 200-millisecond delay on power-up; outputs do not conduct during this time

### Adjustments

Five-turn adjustment screw sets cutoff distance between min. and max. positions clutched at both ends of travel

### Repeatability

250 µs

### Indicators

Two LED indicators on sensor top:  
 Green solid: Power on  
 Amber solid: Light sensed  
 Amber flashing: Marginal sensing condition

### Environmental Rating

IEC IP67; NEMA 6; UL Type 1

### Connections

2 m (6.5 ft) 4-wire PVC cable, 9 m (30 ft) PVC cable, or 4-pin M8 or M12 150 mm (6 in) cable quick-disconnect connector, depending on model

### Operating Conditions

Relative Humidity: 95% relative humidity at 50 °C (non-condensing)

Temperature: -20 °C to 55 °C (-4 °F to 131 °F)

### Certifications



Banner Engineering BV  
 Park Lane, Culliganlaan 2F bus 3  
 1831 Diegem, BELGIUM



Turck Banner LTD Blenheim House  
 Blenheim Court  
 Wickford, Essex SS11 8YT  
 GREAT BRITAIN



### Required Overcurrent Protection



**WARNING:** Electrical connections must be made by qualified personnel in accordance with local and national electrical codes and regulations.

Overcurrent protection is required to be provided by end product application per the supplied table.

Overcurrent protection may be provided with external fusing or via Current Limiting, Class 2 Power Supply.

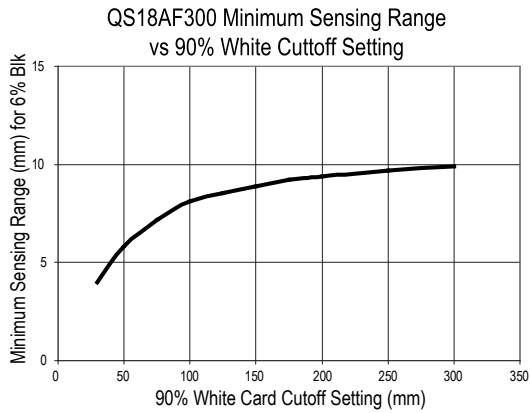
Supply wiring leads < 24 AWG shall not be spliced.

For additional product support, go to [www.bannerengineering.com](http://www.bannerengineering.com).

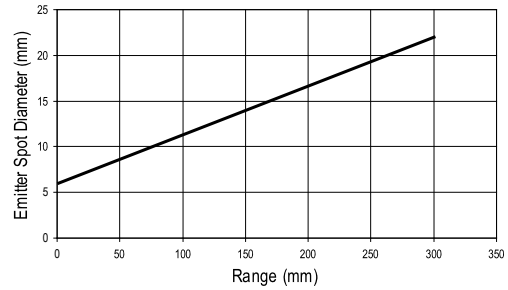
Supply Wiring (AWG)	Required Overcurrent Protection (A)	Supply Wiring (AWG)	Required Overcurrent Protection (A)
20	5.0	26	1.0
22	3.0	28	0.8
24	1.0	30	0.5

## Performance Curves

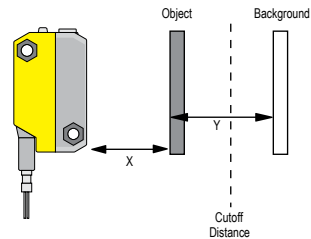
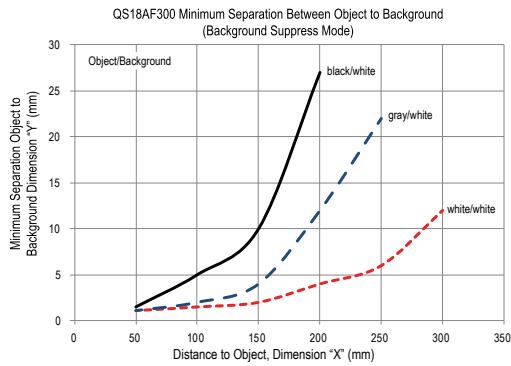
Minimum Sensing Range (Dead Zone) vs. 90% White Cutoff Setting



Typical Emitter Spot Diameter vs. Distance



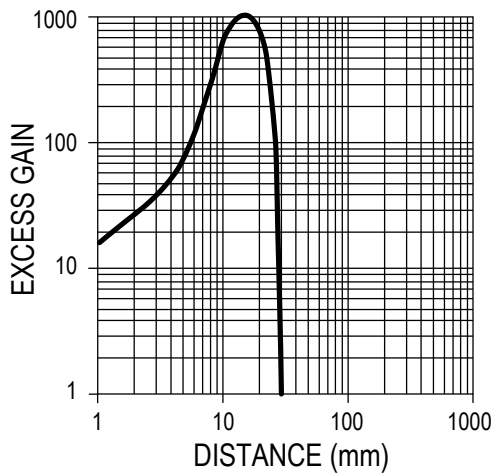
Minimum Separation Distance Between Object and Background: Background Suppression Mode



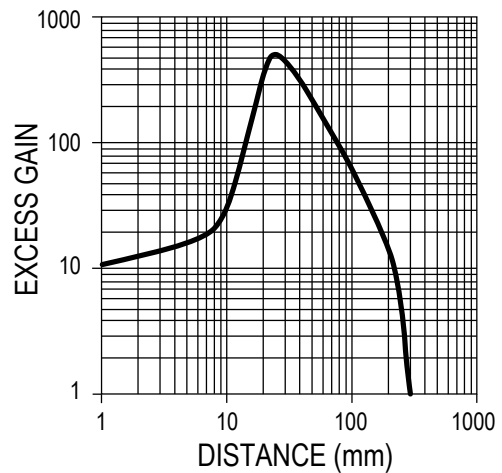
X: Distance to Object (mm)

Y: Minimum Separation Between Object and Background (mm)

Excess Gain Curve with 30 mm Cutoff (based on 90% White Card)

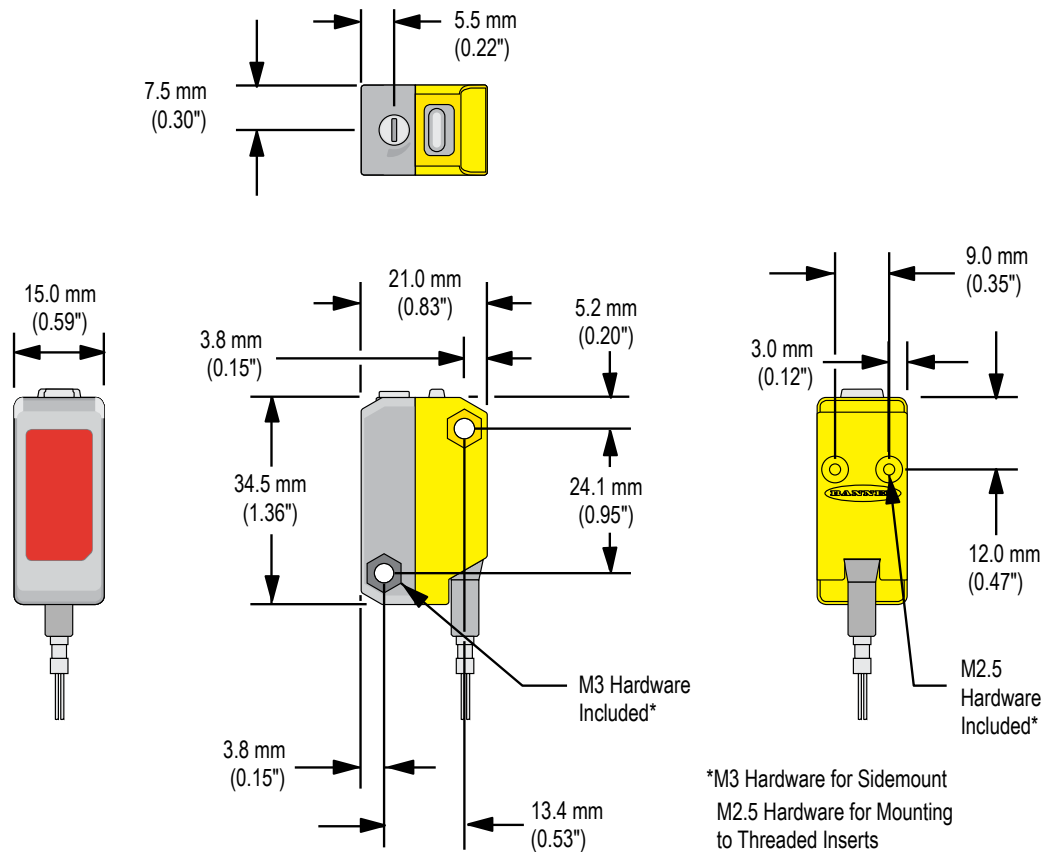


Excess Gain Curve with 300 mm Cutoff (based on 90% White Card)



## Dimensions

All measurements are listed in millimeters [inches], unless noted otherwise. The measurements provided are subject to change.



\*M3 Hardware for Sidemount  
 M2.5 Hardware for Mounting to Threaded Inserts  
 Max. torque 0.6 nm (5 in. lbs)

- (2) M3 x 0.5 x 20 mm ss screw
- (2) M3 x 0.5 ss hex nut
- (2) M3 ss washer
- (2) M2.5 x 0.45 x 5 mm ss screw
- (2) M2.5 ss washer

## Accessories

### Quick-Disconnect (QD) Cordsets

Use the M8 cordsets with QS18 with Q suffix; use the M12 cordsets with QS18 with Q5 suffix.

4-Pin Single-Ended Snap-on M8 Female Cordsets					
Model	Length	Style	Dimensions	Pinout (Female)	
PKG4-2	2.03 m (6.66 ft)	Straight			1 = Brown 2 = White 3 = Blue 4 = Black

4-Pin Single-Ended M12 Female Cordsets				
Model	Length	Style	Dimensions	Pinout (Female)
MQDC-403	1 m (3.28 ft)	Straight		<p>1 = Brown 2 = White 3 = Blue 4 = Black 5 = Not used</p>
MQDC-406	2 m (6.56 ft)			
MQDC-410	3 m (9.8 ft)			
MQDC-415	5 m (16.4 ft)			
MQDC-430	9 m (29.5 ft)			
MQDC-450	15 m (49.2 ft)			
MQDC-460	18.3 m (60 ft)			
MQDC-470	21 m (68.9 ft)			
MQDC-4100	30 m (98.43 ft)			

## Mounting Brackets

All measurements are listed in millimeters, unless noted otherwise. The measurements provided are subject to change.

**SMBQS18A**

- Wrap-around protection bracket
- Die-cast bracket
- Base fits 18 mm threaded hole
- Metal hex nut, lock washer and grommet included
- Mounting holes specially designed for QS18AF sensors

**Hole size:** A =  $\varnothing$  15.3

**SMBQS18AF**

- Right-angle mounting bracket
- 14-ga. 304 stainless steel

**Hole center spacing:** A to B = 20.3  
**Hole size:** A = 4.3 x 9.4, B =  $\varnothing$  4.3

## Product Support and Maintenance

### Clean with Compressed Air Then Isopropyl Alcohol

Handle the sensor with care during installation and operation. Sensor windows soiled by fingerprints, dust, water, oil, etc. may create stray light that may degrade the peak performance of the sensor. Blow dust from the sensor using filtered, compressed air. If the sensor is still dirty, gently wipe the sensor with a dry optical cloth. If the dry optical cloth does not remove all residue, use 70% isopropyl alcohol on a clean optical cloth, then dry with a clean dry optical cloth and blow with filtered, compressed air.

## Contact Us

Banner Engineering Corp. headquarters is located at: 9714 Tenth Avenue North | Plymouth, MN 55441, USA | Phone: + 1 888 373 6767

For worldwide locations and local representatives, visit [www.bannerengineering.com](http://www.bannerengineering.com).

## Banner Engineering Corp Limited Warranty

Banner Engineering Corp. warrants its products to be free from defects in material and workmanship for one year following the date of shipment. Banner Engineering Corp. will repair or replace, free of charge, any product of its manufacture which, at the time it is returned to the factory, is found to have been defective during the warranty period. This warranty does not cover damage or liability for misuse, abuse, or the improper application or installation of the Banner product.

**THIS LIMITED WARRANTY IS EXCLUSIVE AND IN LIEU OF ALL OTHER WARRANTIES WHETHER EXPRESS OR IMPLIED (INCLUDING, WITHOUT LIMITATION, ANY WARRANTY OF MERCHANTABILITY OR FITNESS FOR A PARTICULAR PURPOSE), AND WHETHER ARISING UNDER COURSE OF PERFORMANCE, COURSE OF DEALING OR TRADE USAGE.**

This Warranty is exclusive and limited to repair or, at the discretion of Banner Engineering Corp., replacement. **IN NO EVENT SHALL BANNER ENGINEERING CORP. BE LIABLE TO BUYER OR ANY OTHER PERSON OR ENTITY FOR ANY EXTRA COSTS, EXPENSES, LOSSES, LOSS OF PROFITS, OR ANY INCIDENTAL, CONSEQUENTIAL OR SPECIAL DAMAGES RESULTING FROM ANY PRODUCT DEFECT OR FROM THE USE OR INABILITY TO USE THE PRODUCT, WHETHER ARISING IN CONTRACT OR WARRANTY, STATUTE, TORT, STRICT LIABILITY, NEGLIGENCE, OR OTHERWISE.**

## QS18AF300 Mechanically Adjustable Background Suppression Sensor (30-300mm)

Banner Engineering Corp. reserves the right to change, modify or improve the design of the product without assuming any obligations or liabilities relating to any product previously manufactured by Banner Engineering Corp. Any misuse, abuse, or improper application or installation of this product or use of the product for personal protection applications when the product is identified as not intended for such purposes will void the product warranty. Any modifications to this product without prior express approval by Banner Engineering Corp will void the product warranties. All specifications published in this document are subject to change; Banner reserves the right to modify product specifications or update documentation at any time. Specifications and product information in English supersede that which is provided in any other language. For the most recent version of any documentation, refer to: [www.bannerengineering.com](http://www.bannerengineering.com).

For patent information, see [www.bannerengineering.com/patents](http://www.bannerengineering.com/patents).