

## Features



- Guides fibers in any of 3 directions
- Controls fiber bend when exiting the switch location
- Can be used with or without protective tubing over the fibers. Hose bars are included for use with protective tubing; split bushings are included for applications without protective tubing.
- Impact- and chemically-resistant zinc housing with black zinc coating

Refer to PICO-GUARD Controller Manual (p/n 69761) and PICO-GUARD Application and Design Guide (p/n 69763) for complete installation and operation information.

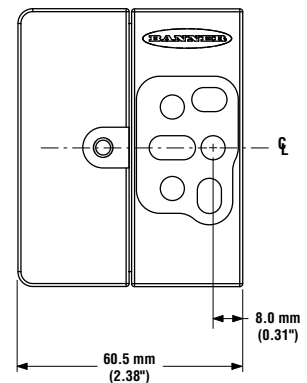
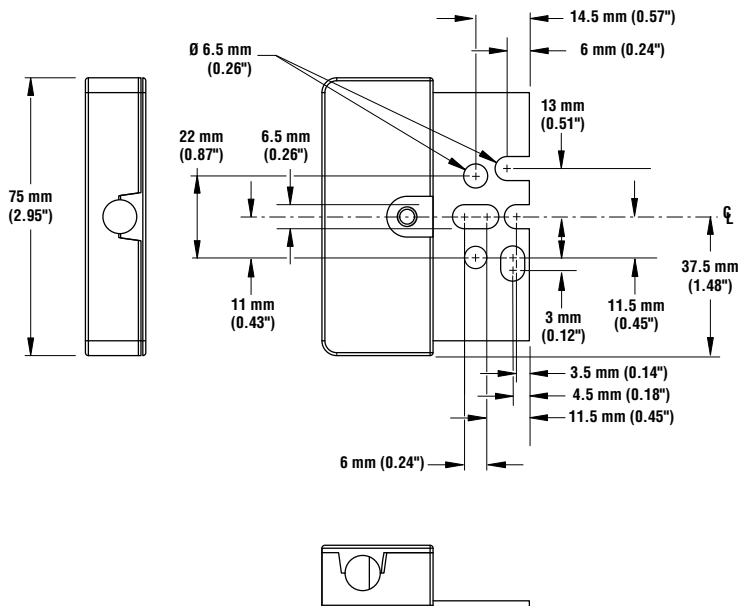
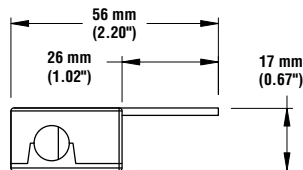
## Dimensions

### Fiber Guide Only

### Fiber Guide with SFI-D1HDP.. Attached







**Includes:**  
Qty. Description





1	Fiber Guide base and cover
2	Hose bars (stainless steel)
2	Split fiber bushings (polyamide)
2	Dome plugs (polyamide)
1	M5 screw



# PICO-GUARD™ Fiber Guide

## Installation

	<p>1. Mate the fiber guide base to the Dual-Lens Interlock Switch, and mount both together to the door to be guarded, using two M6 mounting screws (not supplied).</p>
	<p>2. Select the desired fiber exit port(s) on the fiber guide base.</p>
	<p>If protective hose will be used over the fibers, proceed to step 3.</p>
	<p>If protective hose will not be used, proceed to step 4.</p>
	<p>3a. <b>If protective hose will be used</b>, attach 3/8" I.D. hose (not supplied) to hose barb for each exit used (fibers may be routed together or separately).</p>
	<p>3b. Route fiber ends through hose and place hose barb into position on the fiber guide base exit port as shown in illustration 3c.</p>
	<p>3c. Position cover onto fiber guide base and secure with supplied M5 screw.</p>
	<p>3d. Proceed to step 5.</p>

	<p>4. <b>If protective hose will not be used, route fiber to desired exit port(s).</b> Fibers may be routed together or separately.</p>
	<p>Position cover onto fiber guide base and secure with supplied M5 screw.</p>
	<p>Split bushing and position around fibers at each exit port used, and press into place.</p>
	<p>Proceed to step 5.</p>
	<p>6. Align Dual-Actuator portion of switch to mounted portion, and mount to door.</p>



**WARRANTY:** Banner Engineering Corp. warrants its products to be free from defects for one year. Banner Engineering Corp. will repair or replace, free of charge, any product of its manufacture found to be defective at the time it is returned to the factory during the warranty period. This warranty does not cover damage or liability for the improper application of Banner products. This warranty is in lieu of any other warranty either expressed or implied.