

# LED..A62X62M Series Area Lights



## Datasheet

LED Area Lights for Use with PresencePLUS P4 Sensors



- Continuous or strobed operation, selectable via sensor software
- Solid-state LED matrix
- Direct connection to PresencePLUS P4 sensor
- Two available bracket options

## Models

Model	LED Color	Ambient Light Filter Kit	Polarizing Filter Kit	Connector <sup>1</sup>
LEDIA62X62M	Infrared, 940 nm	FLTI (included with IR lights)	—	2 m (6.5 ft) cable with a 3-pin M8/Pico-style quick disconnect fitting
LEDRA62X62M	Visible red, 630 nm	FLTR (included with LEDAPFKS)	LEDAPFKS	
LEDWA62X62M	White, all visible	FLTB or FLTG		
LEDBA62X62M	Blue, 464 to 475 nm	FLTB		
LEDGA62X62M	Green, 520 to 540 nm	FLTG		

## Installing the Area Light



**Note:** Before installing this area light it is recommended that an ambient light filter be installed behind the lens. The filter improves image quality by reducing unwanted ambient light.

**Sensing Shiny Surfaces:** To eliminate direct reflections without using polarizing filters, angle the sensor approximately 15° (or more) from perpendicular to a shiny surface.

**Polarizing Kit:** If it is necessary to mount the camera at a 90° angle to a shiny surface, the polarizing filter kit provides filters for both the LED area light and sensor to reduce the negative effects of strong, direct light reflections. The red filter kit (FLTR) is included with the polarizing kit. When light colors other than red are used, discard the red filter in the polarizing kit and use the proper filter listed in the models table. The polarizing filters reduce the amount of light returned to the sensor.

## Cleaning Instructions

Regularly remove any dust, dirt, or fingerprints from the light source.

1. Blow off dust using anti-static compressed air.
2. If necessary, use a lens cloth and lens cleaner or window cleaner to wipe off remaining debris. Do not use any other chemicals for cleaning.

## Specifications

### Supply Voltage and Current

Voltage supplied by PresencePLUS P4 sensors, if operating at 24 V dc (see sensor manual)

**Infrared:** 24 V dc at 150 mA max.

**All other colors:** 24 V dc at 200 mA max.

### Light Source

LED; see Models table for wave lengths

### Illumination

High-intensity area light

### Connections

2 m (6.5 ft) PVC cable with a 3-pin M8/Pico-style quick disconnect

### Construction

Low-carbon steel with black zinc plating, acrylic window

### Useful Life

10,000 hours (LED ON time). When operated within specifications, output will decrease less than 30% after 10,000 hours and less than 50% (less than 40% for red and IR models) after 20,000 hours.

### Operating Conditions

0° to +50°C (+32° to 122°F)

90% at 50°C (non-condensing) max. relative humidity

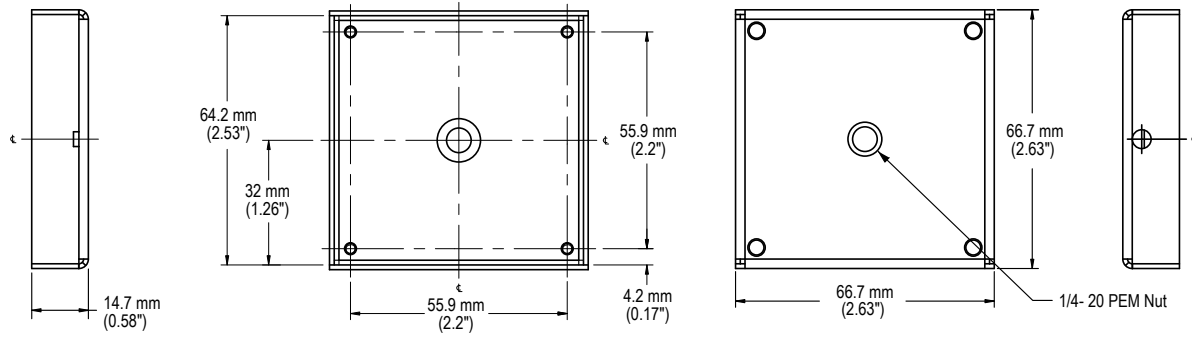
### Certifications



<sup>1</sup> Models with a quick disconnect require a mating cordset.



## Dimensions

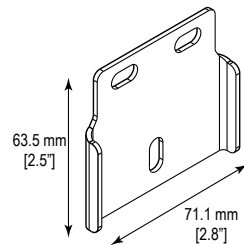


## Accessories

### Mounting Brackets

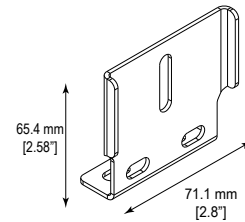
#### SMBVLA62X62S

- Inline bracket
- 14 gauge steel, black zinc-plated



#### SMBVLA62X62RA

- Right-angle bracket
- 14 gauge steel, black zinc-plated



## Banner Engineering Corp. Limited Warranty

Banner Engineering Corp. warrants its products to be free from defects in material and workmanship for one year following the date of shipment. Banner Engineering Corp. will repair or replace, free of charge, any product of its manufacture which, at the time it is returned to the factory, is found to have been defective during the warranty period. This warranty does not cover damage or liability for misuse, abuse, or the improper application or installation of the Banner product.

**THIS LIMITED WARRANTY IS EXCLUSIVE AND IN LIEU OF ALL OTHER WARRANTIES WHETHER EXPRESS OR IMPLIED (INCLUDING, WITHOUT LIMITATION, ANY WARRANTY OF MERCHANTABILITY OR FITNESS FOR A PARTICULAR PURPOSE), AND WHETHER ARISING UNDER COURSE OF PERFORMANCE, COURSE OF DEALING OR TRADE USAGE.**

This Warranty is exclusive and limited to repair or, at the discretion of Banner Engineering Corp., replacement. **IN NO EVENT SHALL BANNER ENGINEERING CORP. BE LIABLE TO BUYER OR ANY OTHER PERSON OR ENTITY FOR ANY EXTRA COSTS, EXPENSES, LOSSES, LOSS OF PROFITS, OR ANY INCIDENTAL, CONSEQUENTIAL OR SPECIAL DAMAGES RESULTING FROM ANY PRODUCT DEFECT OR FROM THE USE OR INABILITY TO USE THE PRODUCT, WHETHER ARISING IN CONTRACT OR WARRANTY, STATUTE, TORT, STRICT LIABILITY, NEGLIGENCE, OR OTHERWISE.**

Banner Engineering Corp. reserves the right to change, modify or improve the design of the product without assuming any obligations or liabilities relating to any product previously manufactured by Banner Engineering Corp. Any misuse, abuse, or improper application or installation of this product or use of the product for personal protection applications when the product is identified as not intended for such purposes will void the product warranty. Any modifications to this product without prior express approval by Banner Engineering Corp will void the product warranties. All specifications published in this document are subject to change; Banner reserves the right to modify product specifications or update documentation at any time. Specifications and product information in English supersede that which is provided in any other language. For the most recent version of any documentation, refer to: [www.bannerengineering.com](http://www.bannerengineering.com).

For patent information, see [www.bannerengineering.com/patents](http://www.bannerengineering.com/patents).