

## Model SFA-RD Remote Display

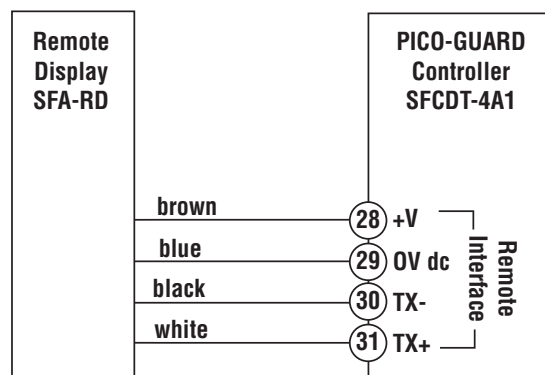
For use with the PICO-GUARD™ Fiber Optic Safety System



### Remote Display Features

- Compact size
- Connects to PICO-GUARD controller, provides additional system status readout identical to controller (with the exception of the Configuration indicator)
  - System Status (bi-color Red/Green):** overall status of the PICO-GUARD system
  - System Reset (bi-color Yellow/Red):** status of the input; indicates system reset needed
  - Channel (4 bi-color Red/Green):** each shows the status of one optical channel
  - USSI (2 bi-color Red/Green):** status of the USSI input channels (a-b and c-d)
  - USSI 1 Reset (bi-color Yellow/Red):** status of USSI 1 reset input; indicates USSI 1 reset needed
  - EDM (bi-color Red/Green):** status of the EDM input channels
  - OSSD (bi-color Red/Green):** status of the OSSD outputs
- DIN-mount housing; flat-mount and right-angle brackets also included with remote display. Accessory T-slot mount bracket also available.
- NEMA 6, IEC IP67 rating
- Durable ABS/polycarbonate blend housing, 7.6 m (25') integral cable
- Operating temperature 0° to +50° C (+32° to 122° F); 95% max. relative humidity (non-condensing)

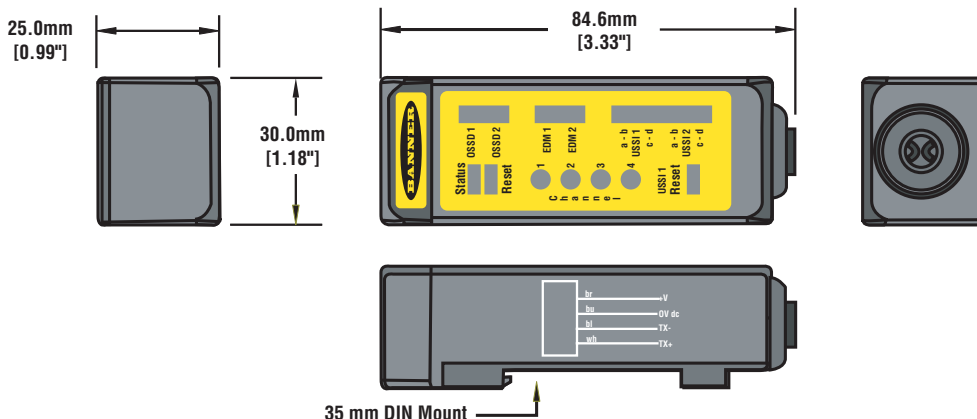
### Hookup



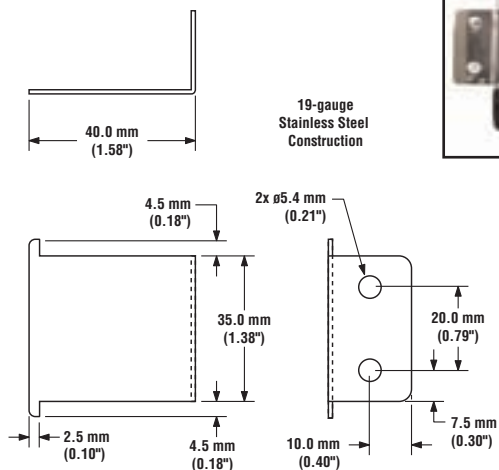
NOTE: PICO-GUARD wiring is low voltage; running these wires alongside power wires, motor/servo wires, or other high-voltage wiring can inject noise into the PICO-GUARD System. It is good wiring practice (and may be required by code) to isolate PICO-GUARD System wires from high-voltage wires.

# Remote Display – Model SFA-RD

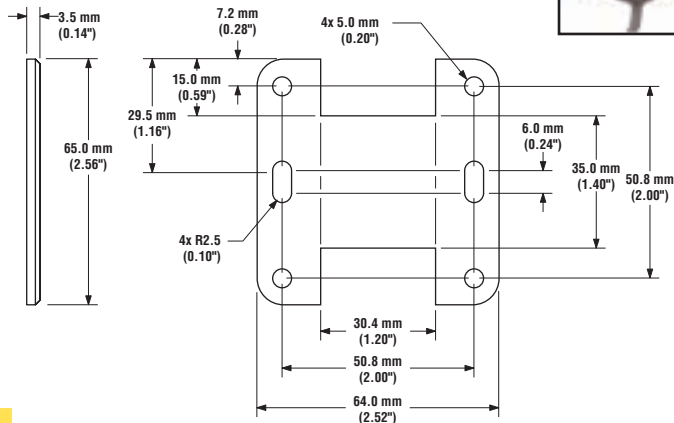
## Dimensions



**Right-Angle Bracket**  
(included with Remote Display)



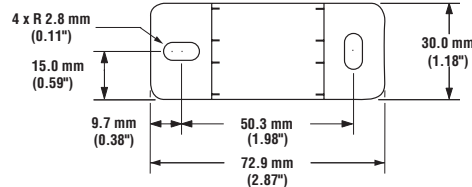
**Flat-Mount Bracket**  
(included with Remote Display)



## Accessory Mounting Bracket

**SMBR55F02**

- For use with R55F type sensors
- Mounts to T-slotted or narrow flat surfaces
- 19-gauge stainless steel



**BANNER**<sup>®</sup>  
the machine safety specialist

**WARRANTY:** Banner Engineering Corp. warrants its products to be free from defects for one year. Banner Engineering Corp. will repair or replace, free of charge, any product of its manufacture found to be defective at the time it is returned to the factory during the warranty period. This warranty does not cover damage or liability for the improper application of Banner products. This warranty is in lieu of any other warranty either expressed or implied.