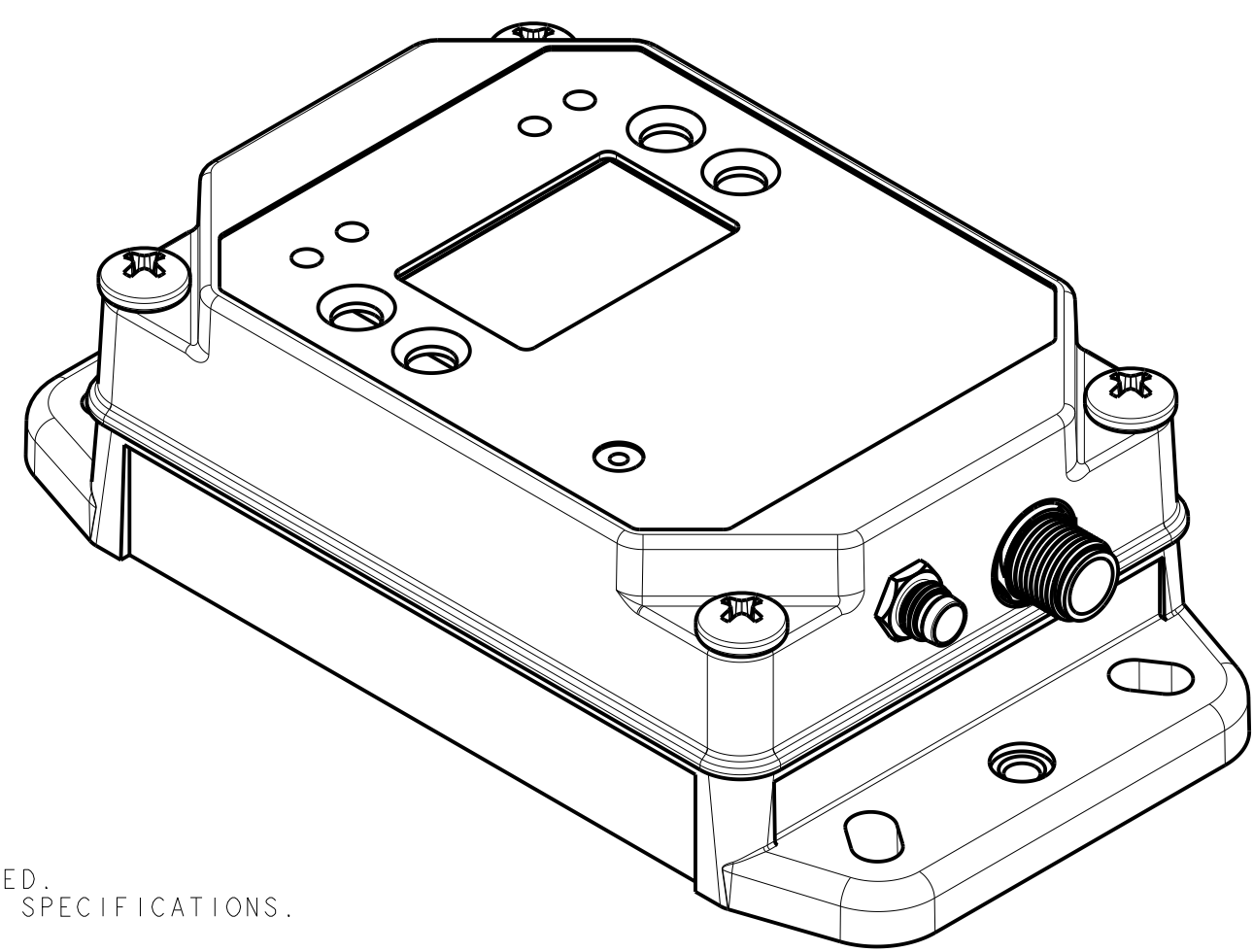
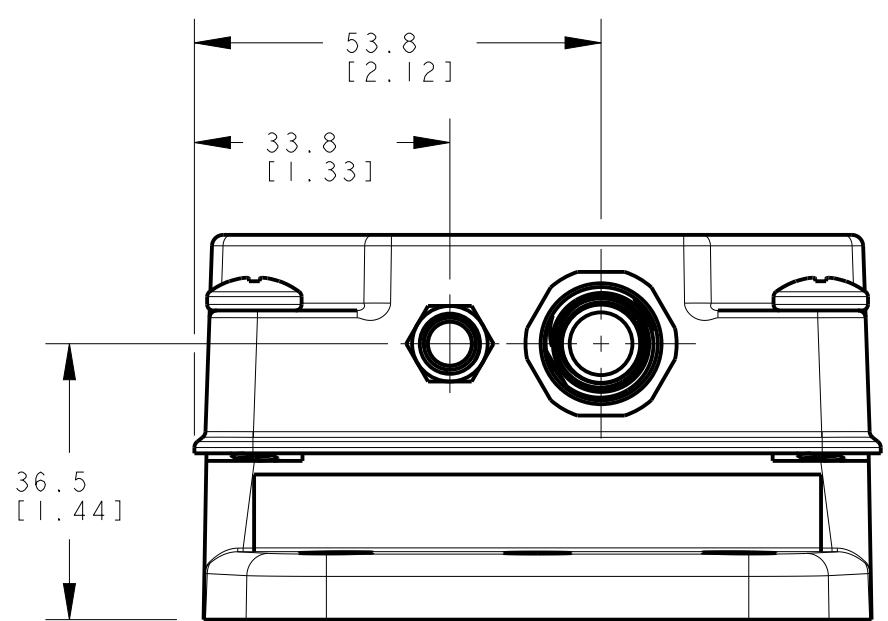
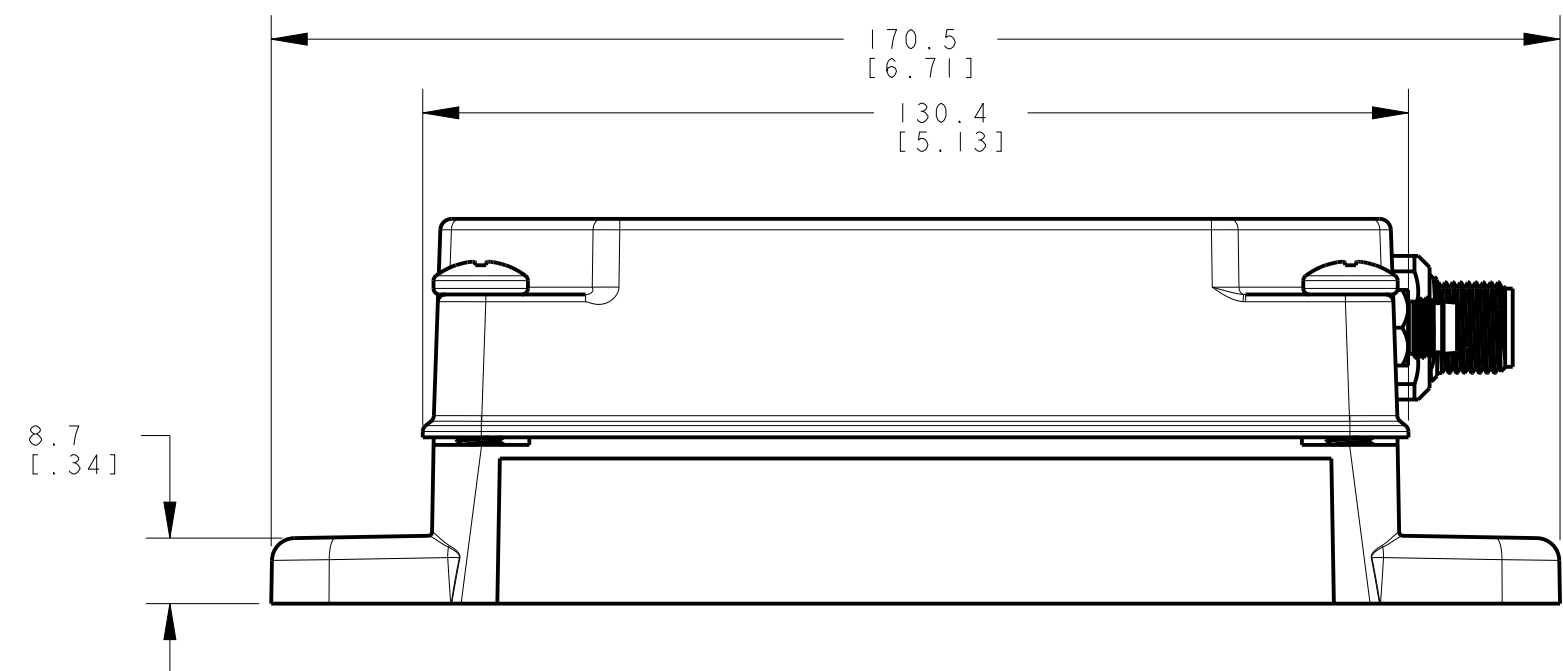
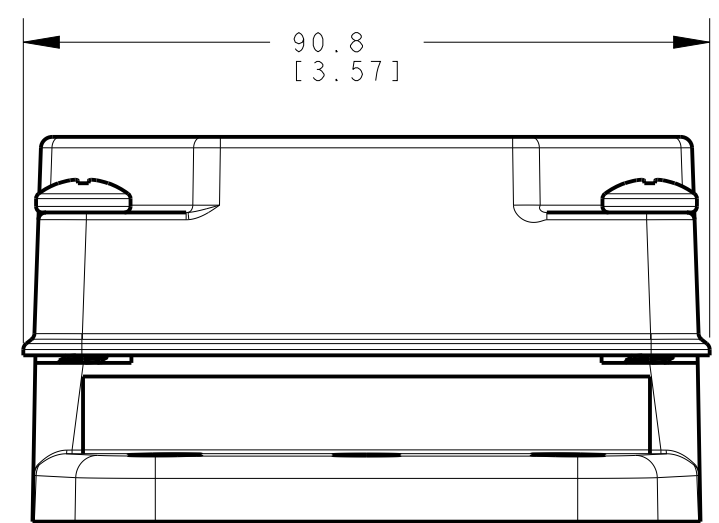
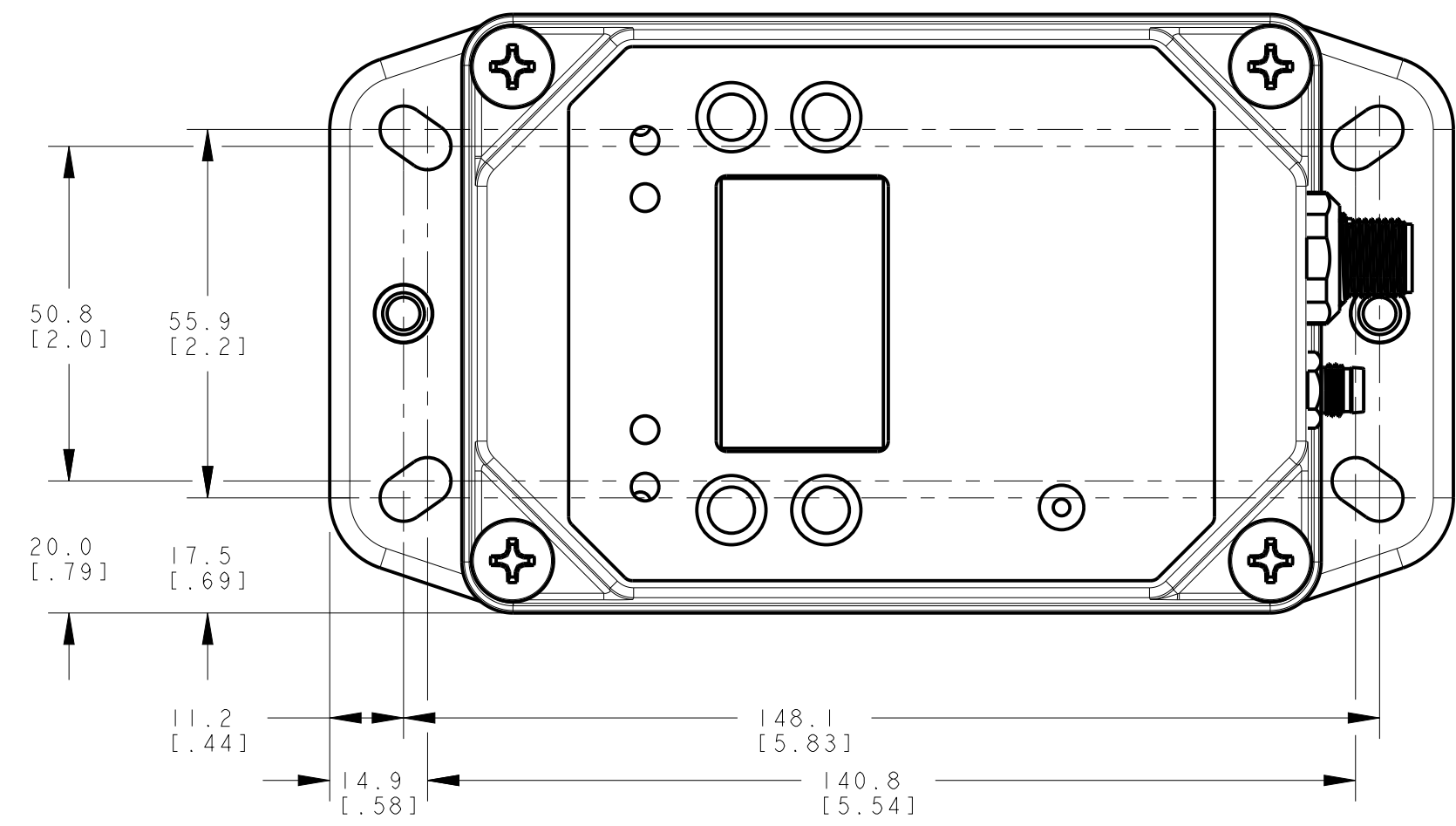


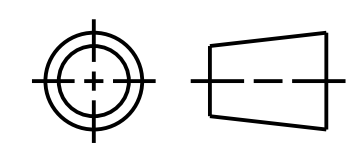
DXMI200



NOTES:  
 1. ALL DIMENSIONS ARE MILLIMETERS [INCHES] UNLESS OTHERWISE NOTED.  
 2. REFER TO "www.bannerengineering.com" FOR ADDITIONAL DATA AND SPECIFICATIONS.

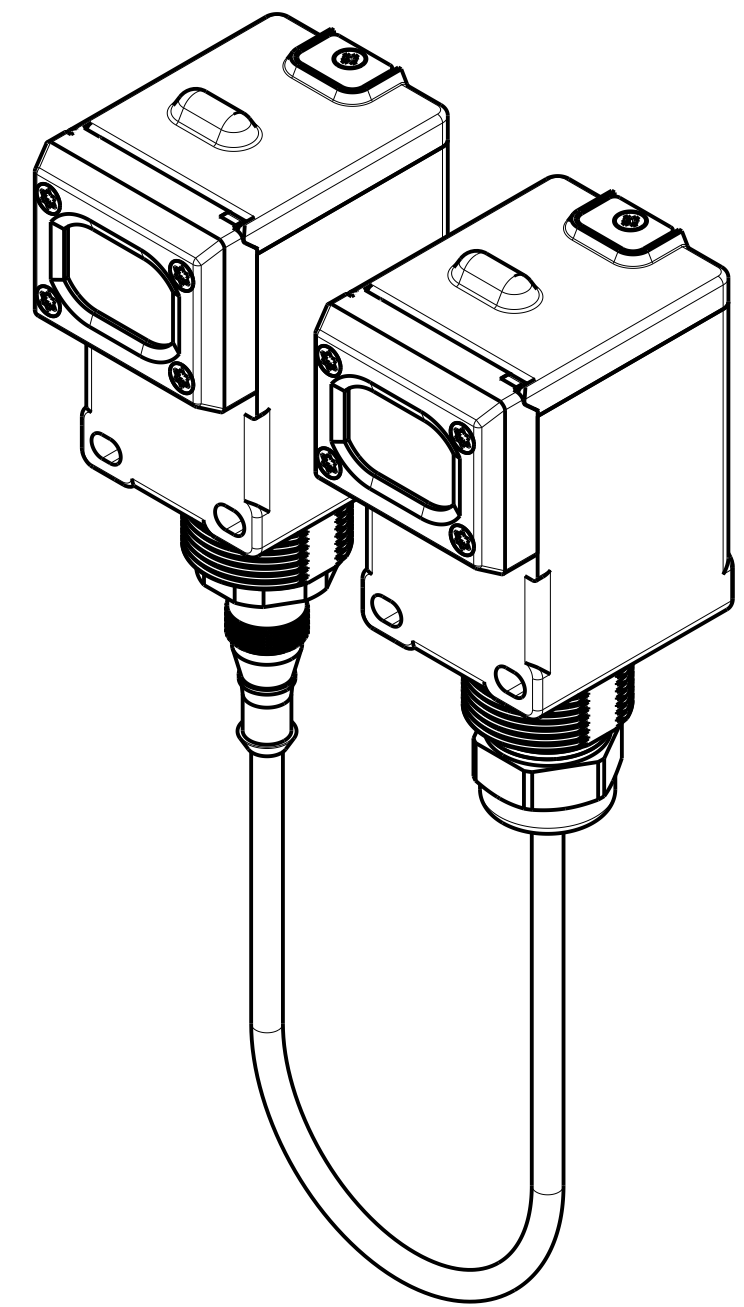
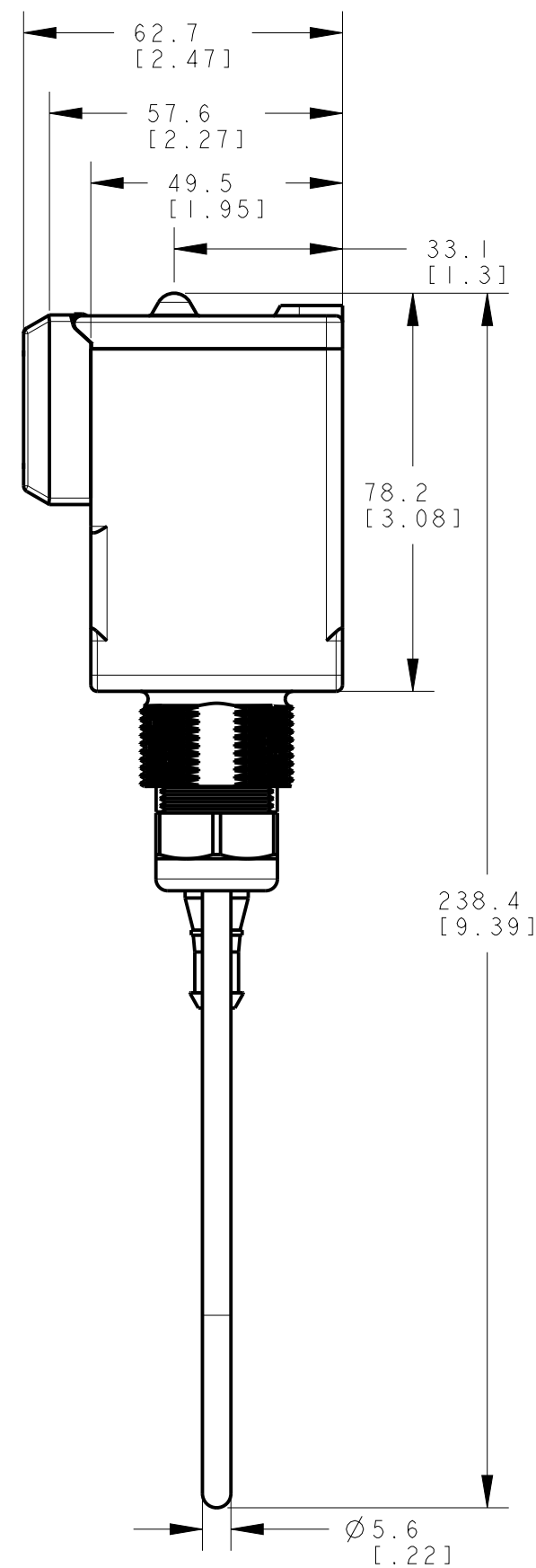
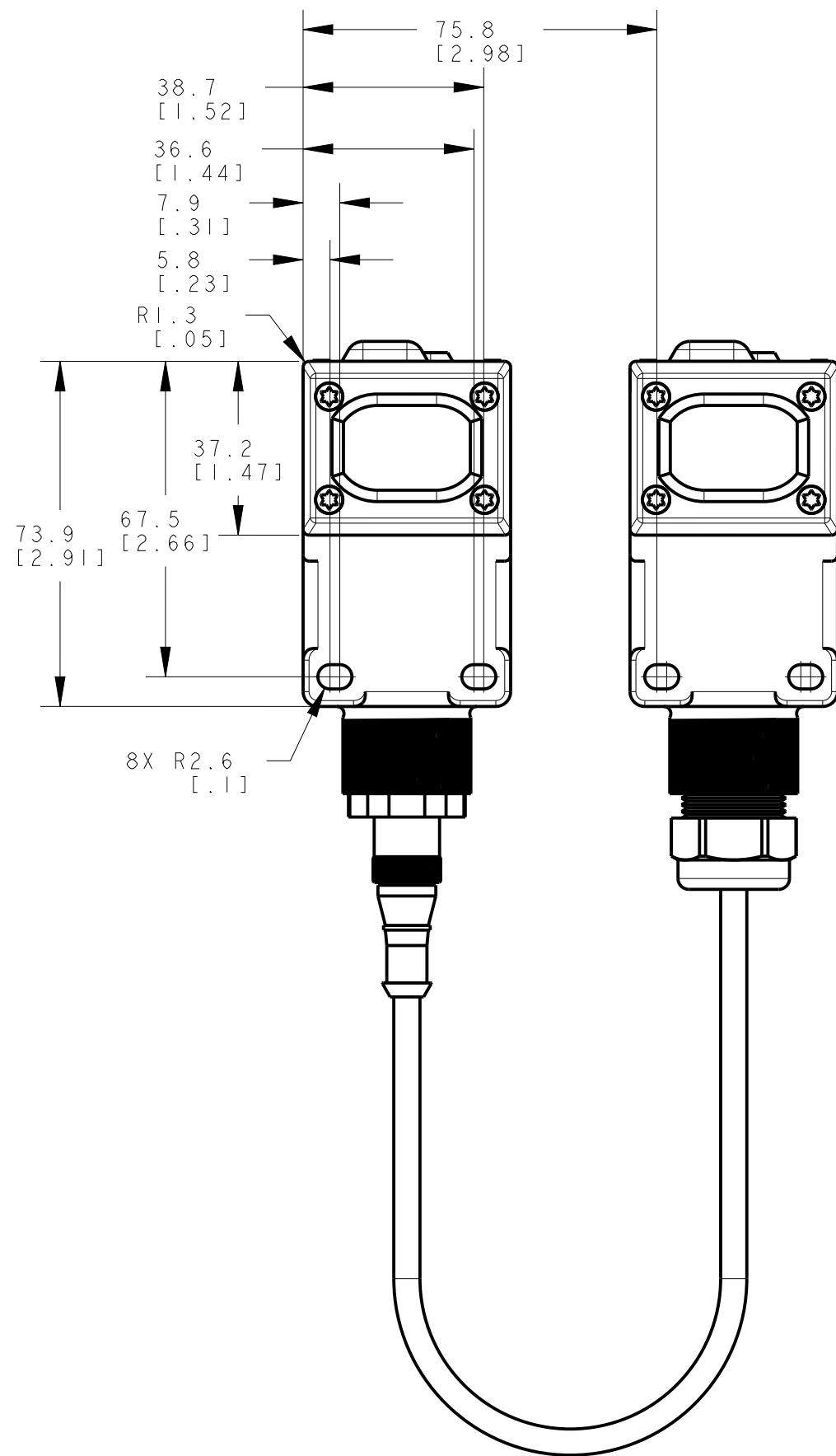
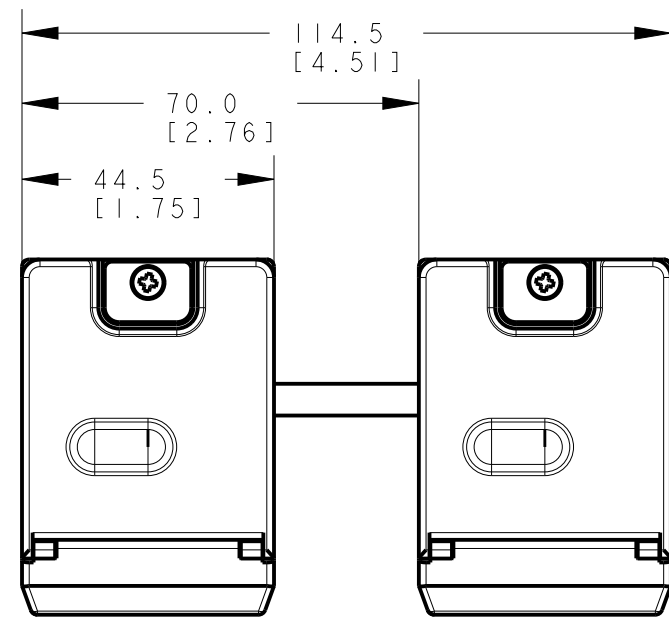
This drawing is the property of BANNER ENGINEERING CORP. Any use or reproduction, in any form, without prior written permission of Banner is prohibited. © 2015 Banner Engineering Corp.

THIRD ANGLE PROJECTION



		BANNER ENGINEERING CORP.	
		www.bannerengineering.com	
TITLE			
<b>OCCUPANCY COUNTING KIT</b>			
SIZE	DRAWING NO.	REV.	
C	<b>217896</b>	<b>A</b>	
SCALE	SHEET		CREO
1:1	1 OF 7		

DX80N×Q45LVDIR A/B



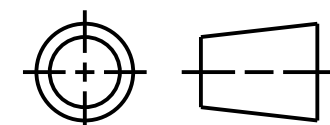
NOTES:  
 1. ALL DIMENSIONS ARE MILLIMETERS [INCHES] UNLESS OTHERWISE NOTED.  
 2. REFER TO "www.bannerengineering.com" FOR ADDITIONAL DATA AND SPECIFICATIONS.

This drawing is the property of BANNER ENGINEERING CORP. Any use or reproduction, in any form, without prior written permission of Banner is prohibited. © 2015 Banner Engineering Corp.

**BANNER** BANNER ENGINEERING CORP.  
 www.bannerengineering.com

TITLE  
**OCCUPANCY COUNTING KIT**

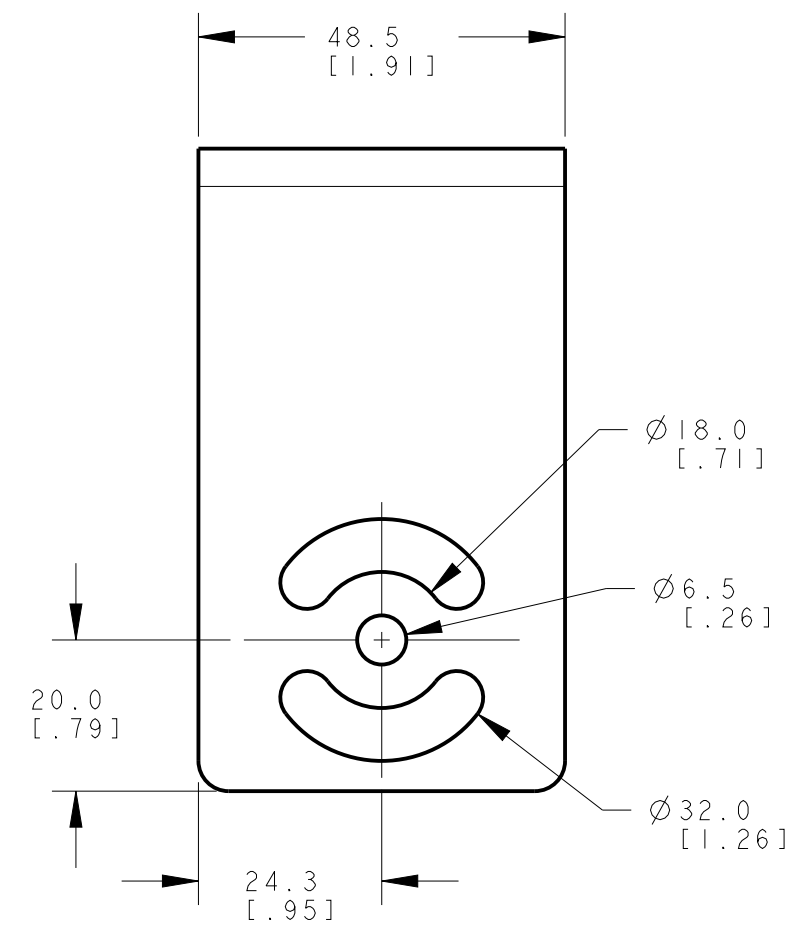
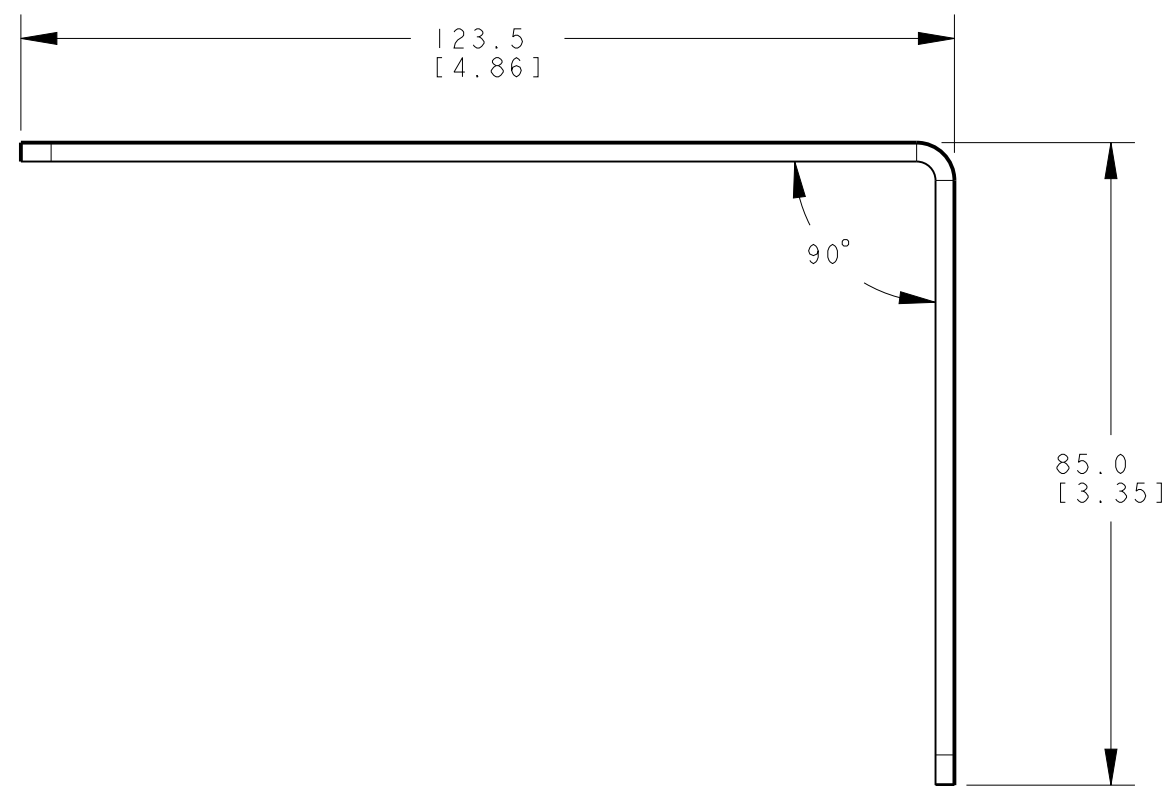
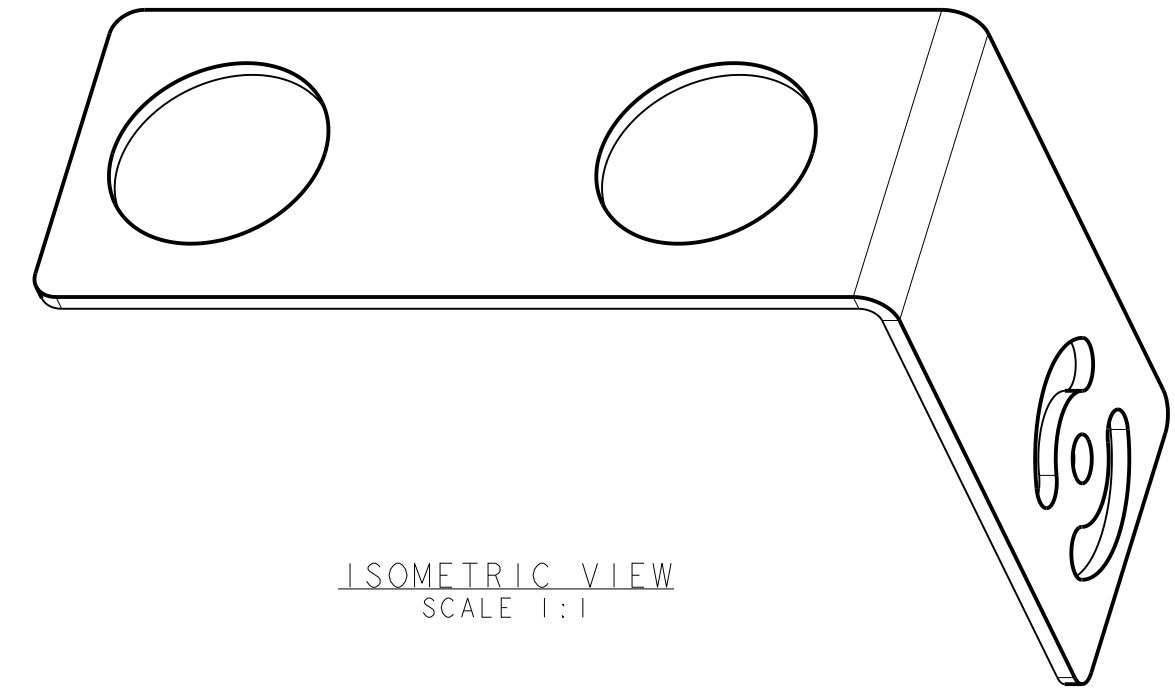
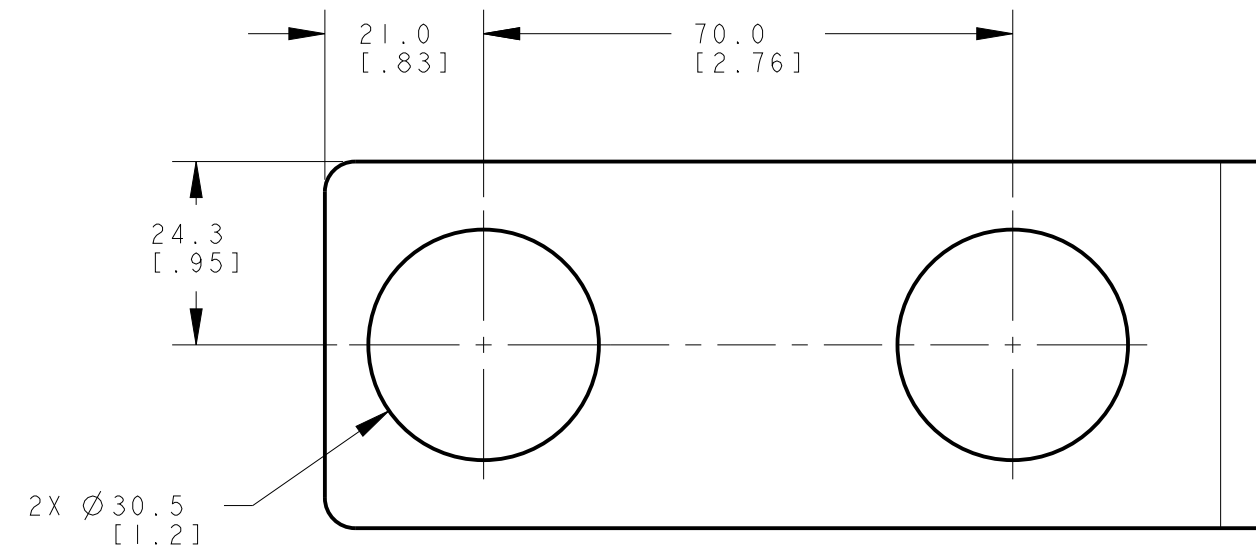
THIRD ANGLE PROJECTION



SIZE C DRAWING NO. **217896** REV. **A**

SCALE 3:4 SHEET 2 OF 7

SMBQ45PC



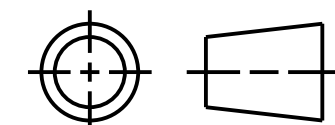
NOTES:  
 1. ALL DIMENSIONS ARE MILLIMETERS [INCHES] UNLESS OTHERWISE NOTED.  
 2. REFER TO "www.bannerengineering.com" FOR ADDITIONAL DATA AND SPECIFICATIONS.

This drawing is the property of BANNER ENGINEERING CORP. Any use or reproduction, in any form, without prior written permission of Banner is prohibited. © 2015 Banner Engineering Corp.

**BANNER** BANNER ENGINEERING CORP.  
 www.bannerengineering.com

TITLE  
**OCCUPANCY COUNTING KIT**

THIRD ANGLE PROJECTION

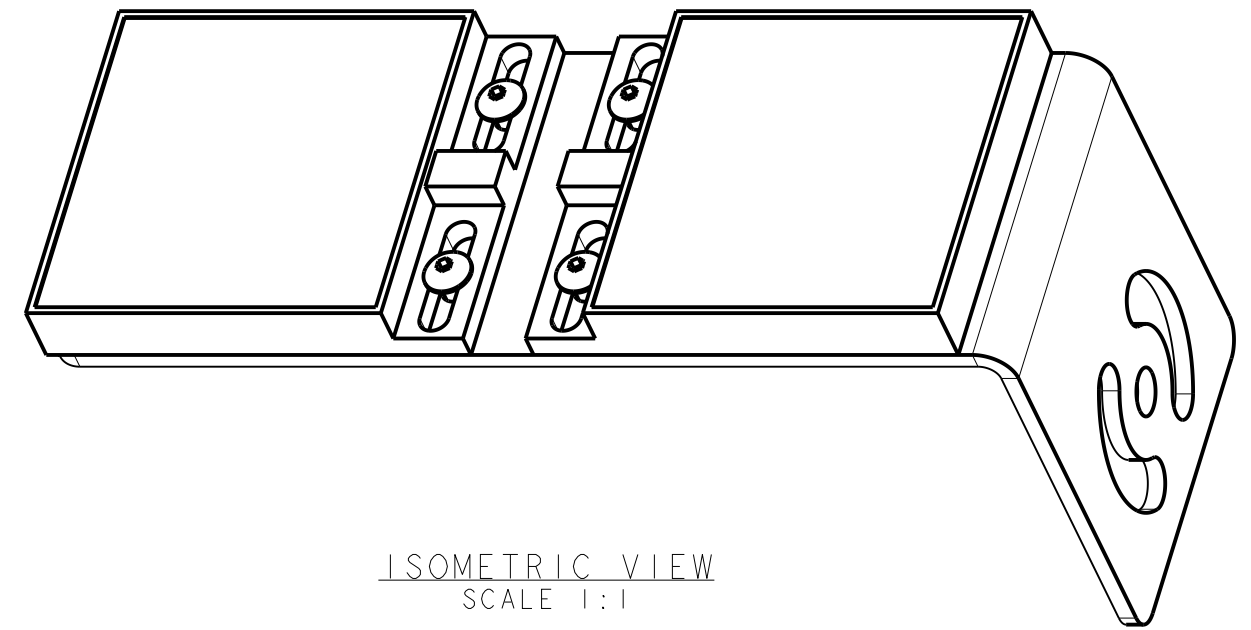
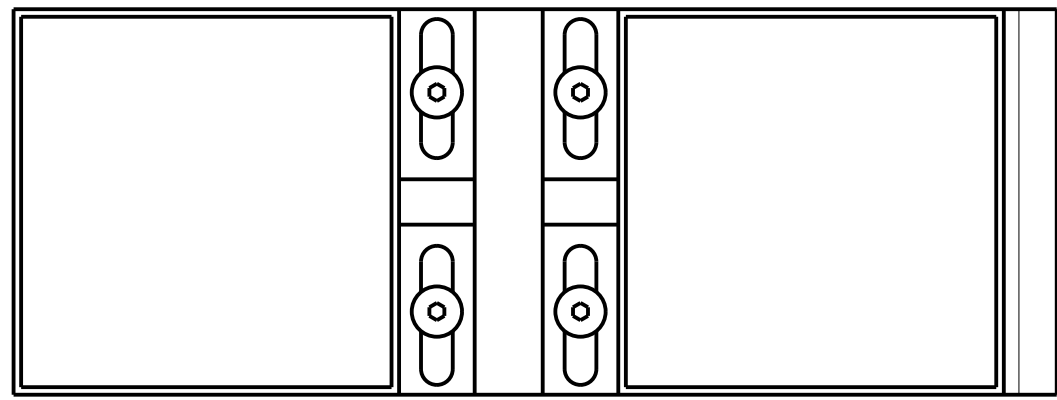


SIZE C DRAWING NO. **217896** REV. **A**

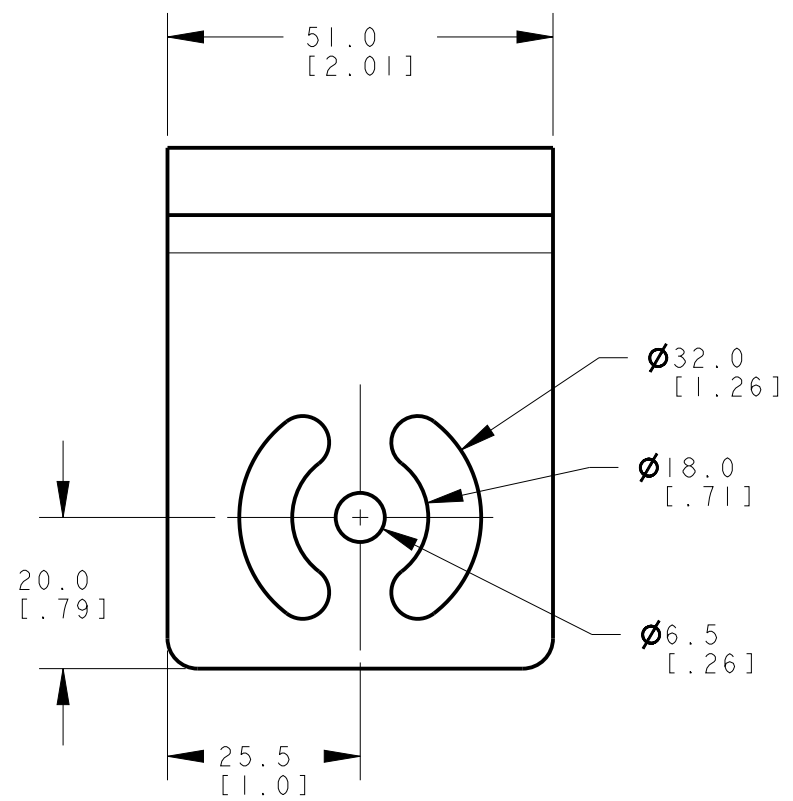
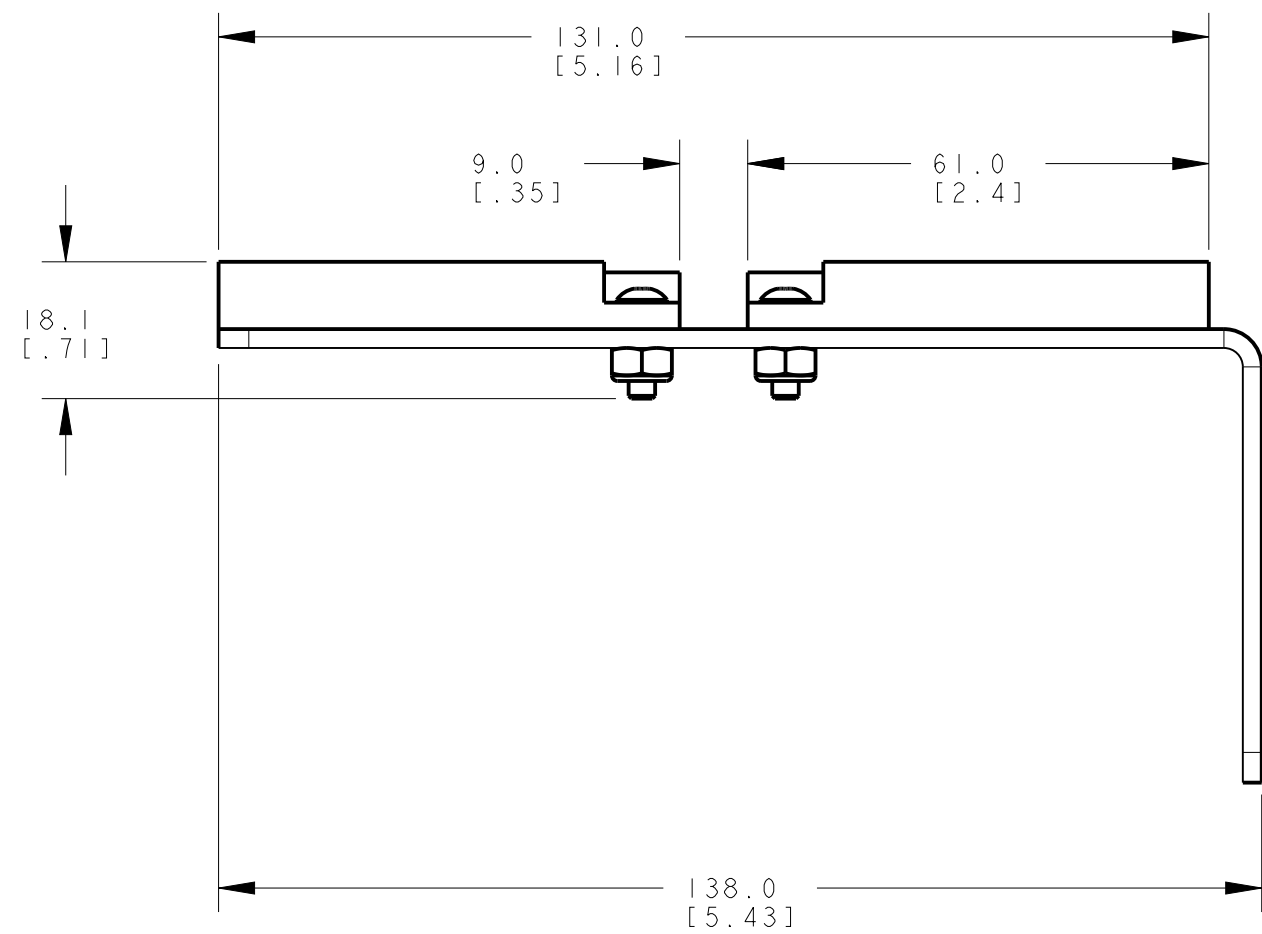
SCALE 1:1 SHEET 3 OF 7 CREO

8 7 6 5 4 3 2 1

SMBRPC



ISOMETRIC VIEW  
SCALE 1:1



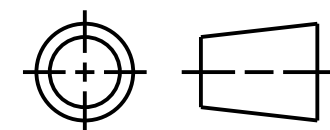
NOTES:  
1. ALL DIMENSIONS ARE MILLIMETERS [INCHES] UNLESS OTHERWISE NOTED.  
2. REFER TO "www.bannerengineering.com" FOR ADDITIONAL DATA AND SPECIFICATIONS.

This drawing is the property of BANNER ENGINEERING CORP. Any use or reproduction, in any form, without prior written permission of Banner is prohibited. © 2015 Banner Engineering Corp.

**BANNER** BANNER ENGINEERING CORP.  
www.bannerengineering.com

TITLE  
**OCCUPANCY COUNTING KIT**

THIRD ANGLE PROJECTION

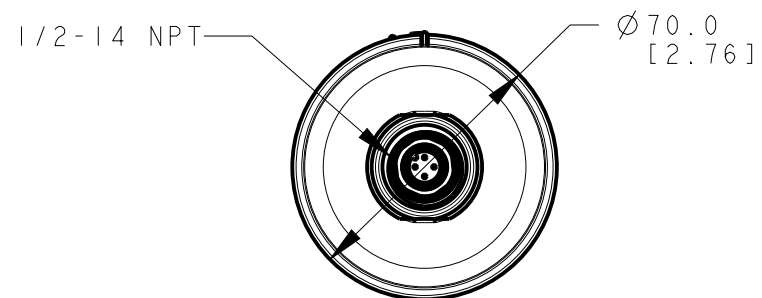
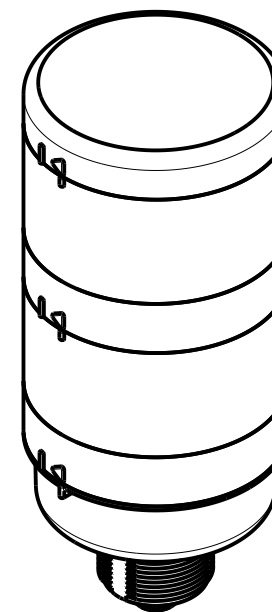
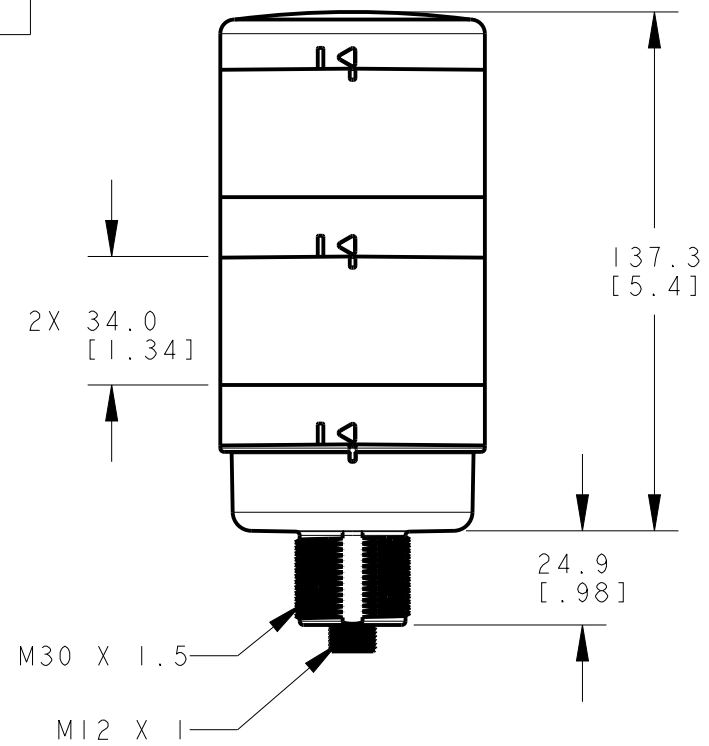


SIZE C DRAWING NO. **217896** REV. **A**

SCALE 1:1 SHEET 4 OF 7 CREO

8 7 6 5 4 3 2 1

TL70 2-STACK QD



NOTES:  
1. ALL DIMENSIONS ARE MILLIMETERS [INCHES] UNLESS OTHERWISE NOTED.  
2. REFER TO "www.bannerengineering.com" FOR ADDITIONAL DATA AND SPECIFICATIONS.

This drawing is the property of BANNER ENGINEERING CORP. Any use or reproduction, in any form, without prior written permission of Banner is prohibited. © 2015 Banner Engineering Corp.

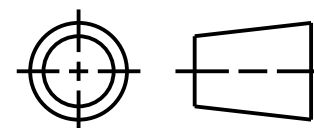
**BANNER** BANNER ENGINEERING CORP.  
www.bannerengineering.com

TITLE  
**OCCUPANCY COUNTING KIT**

SIZE B DRAWING NO. **217896** REV. **A**

SCALE 1:2 SHEET 5 OF 7

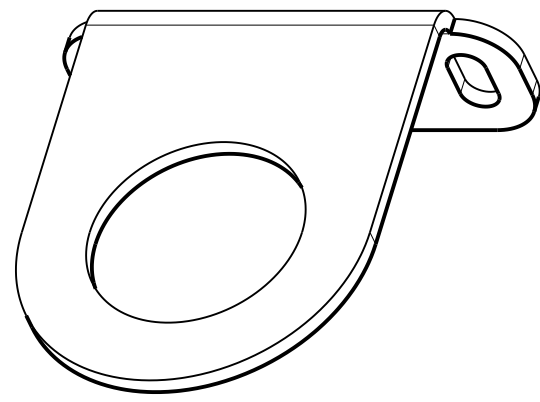
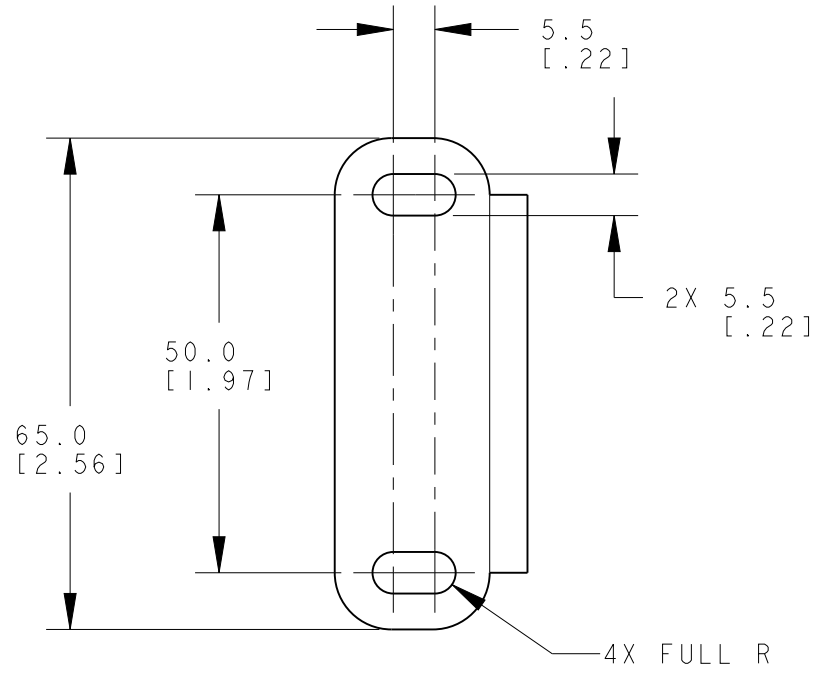
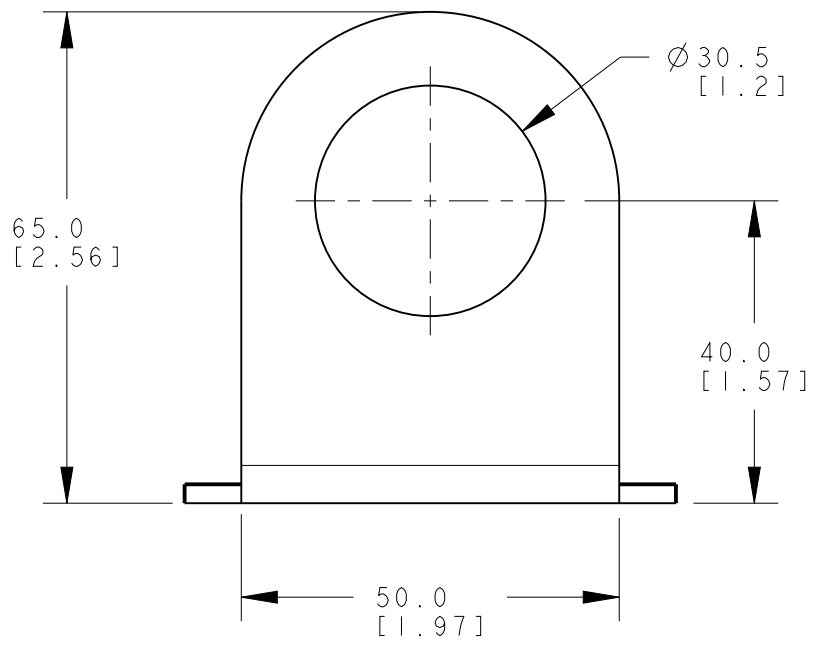
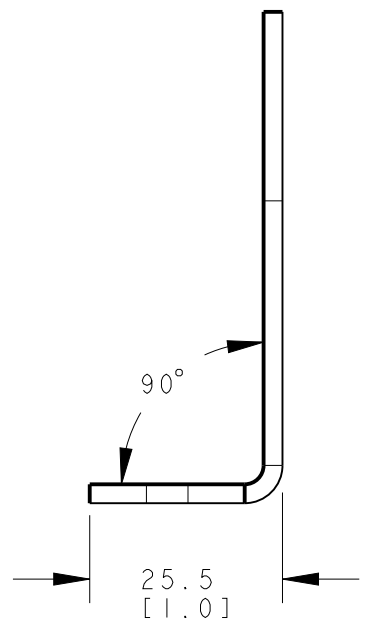
THIRD ANGLE PROJECTION



CREO

8 | 7 | 6 | 5 | 4 | 3 | 2 | 1

LMB30LP

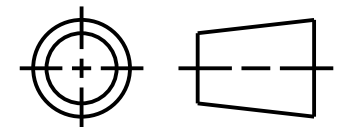



ISOMETRIC VIEW  
SCALE 1:1

NOTES:  
1. ALL DIMENSIONS ARE MILLIMETERS [INCHES] UNLESS OTHERWISE NOTED.  
2. REFER TO "www.bannerengineering.com" FOR ADDITIONAL DATA AND SPECIFICATIONS.

This drawing is the property of BANNER ENGINEERING CORP. Any use or reproduction, in any form, without prior written permission of Banner is prohibited. © 2015 Banner Engineering Corp.

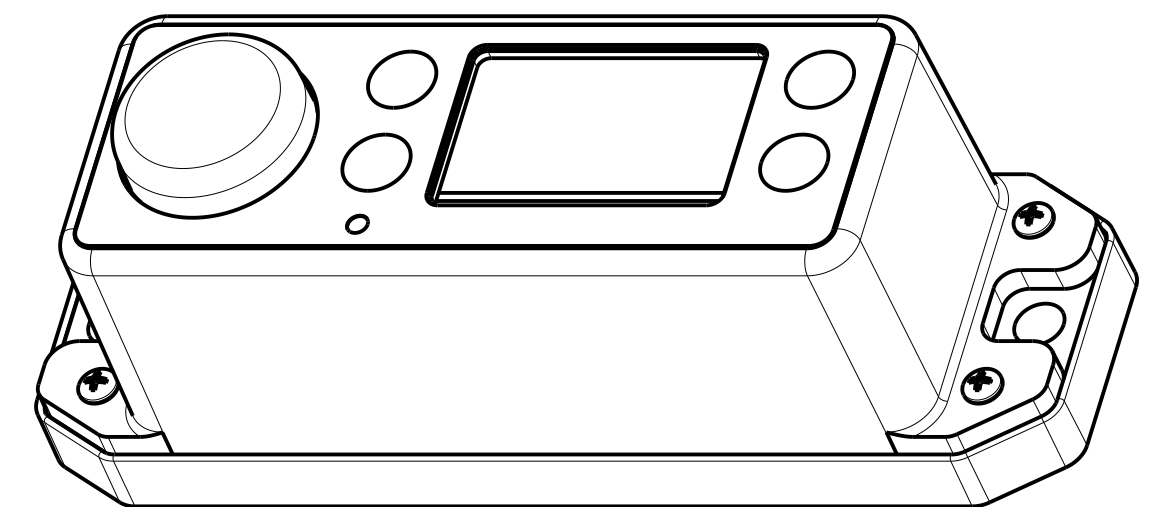
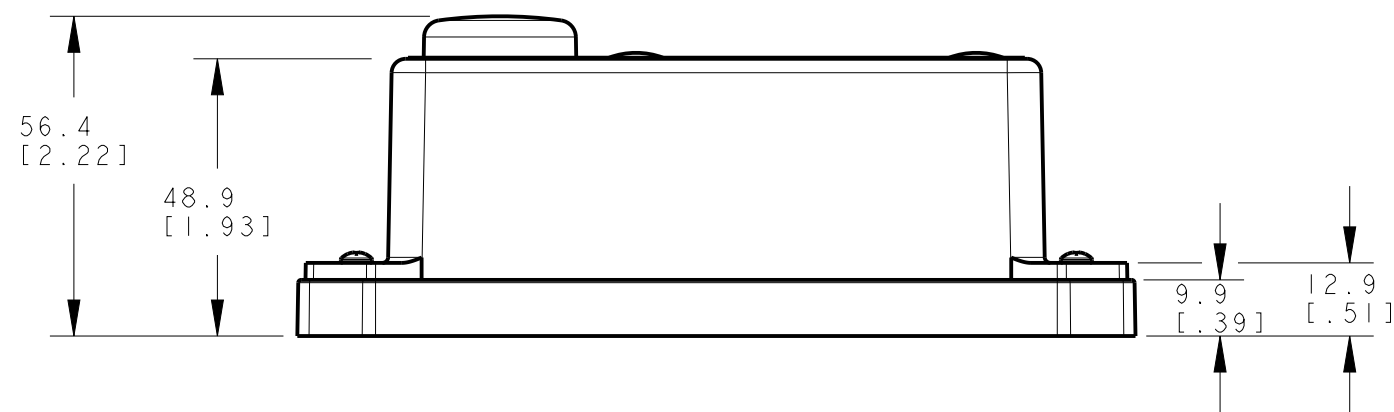
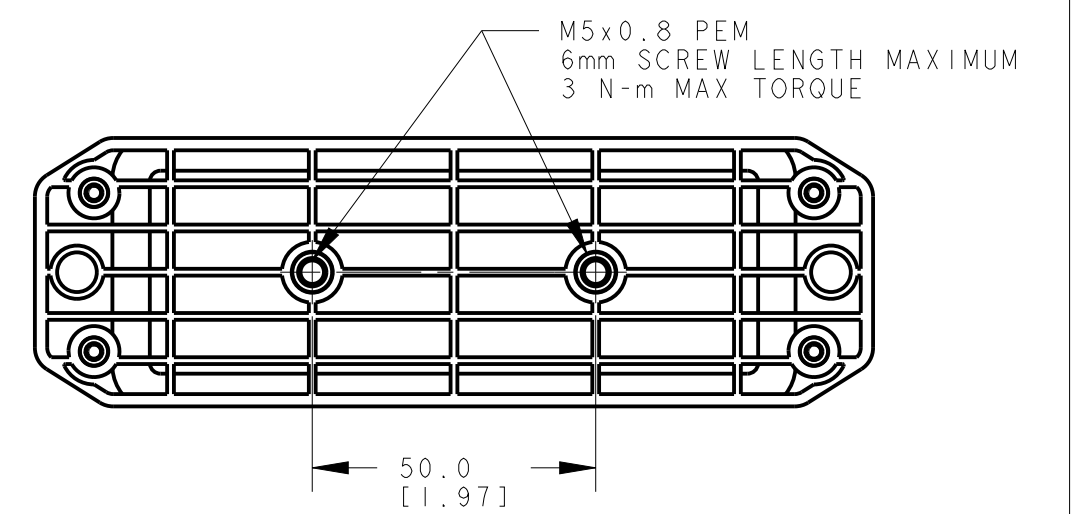
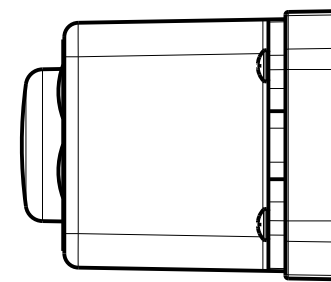
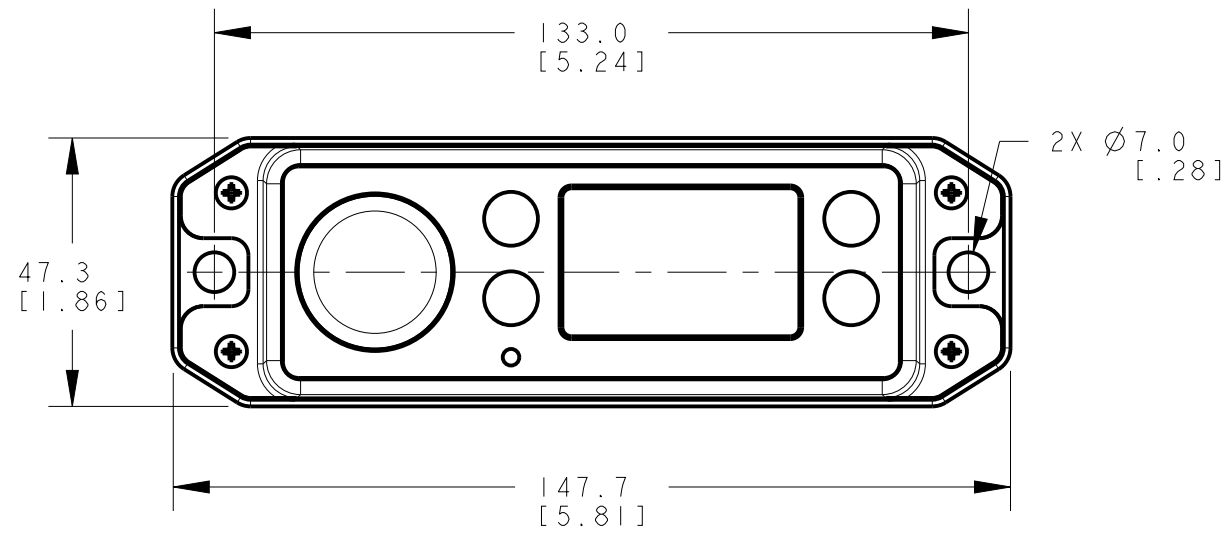
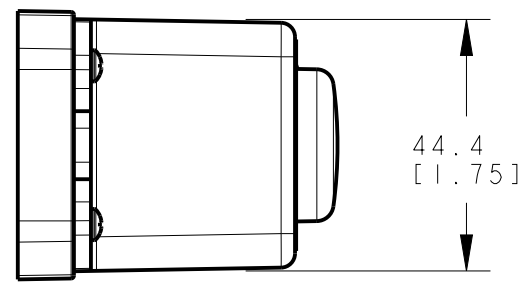
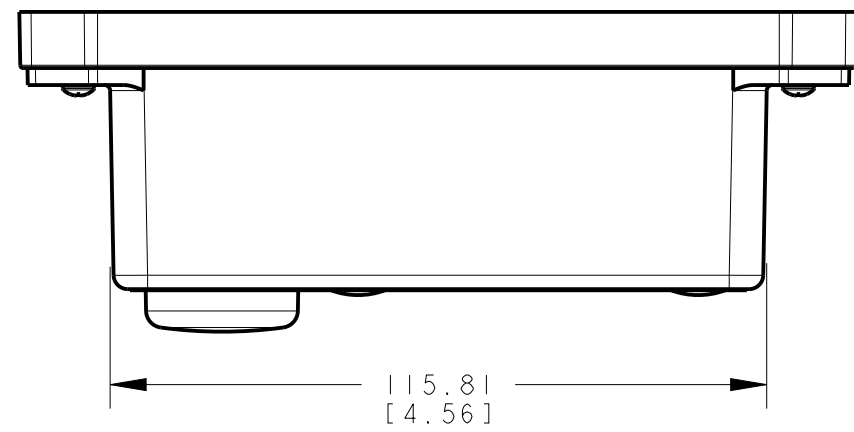
THIRD ANGLE PROJECTION



		BANNER ENGINEERING CORP. www.bannerengineering.com	
TITLE			
<b>OCCUPANCY COUNTING KIT</b>			
SIZE	DRAWING NO.	REV.	
B	217896	A	
SCALE	SHEET		
1:1	6 OF 7		

8 | 7 | 6 | 5 | 4 | 3 | 2 | 1 | CREO

DX80N\_DS



ISOMETRIC VIEW  
SCALE 1:1

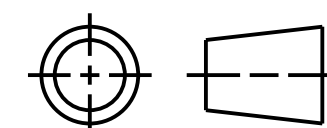
NOTES:  
1. ALL DIMENSIONS ARE MILLIMETERS [INCHES] UNLESS OTHERWISE NOTED.  
2. REFER TO "www.bannerengineering.com" FOR ADDITIONAL DATA AND SPECIFICATIONS.

This drawing is the property of BANNER ENGINEERING CORP. Any use or reproduction, in any form, without prior written permission of Banner is prohibited.  
© 2015 Banner Engineering Corp.



BANNER ENGINEERING CORP.  
www.bannerengineering.com

THIRD ANGLE PROJECTION



TITLE		OCCUPANCY COUNTING KIT	
SIZE C	DRAWING NO. 217896	REV. A	
SCALE 3:4		SHEET 7 OF 7	

CREO