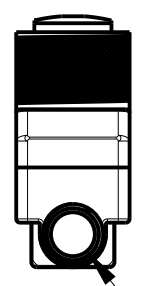
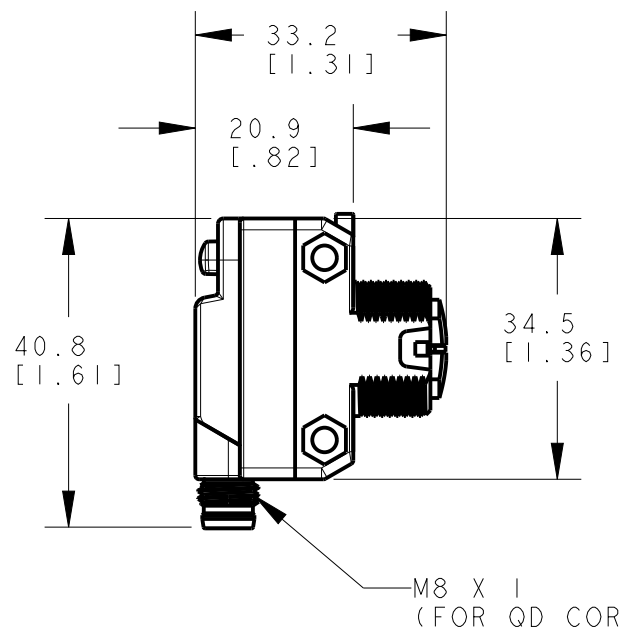
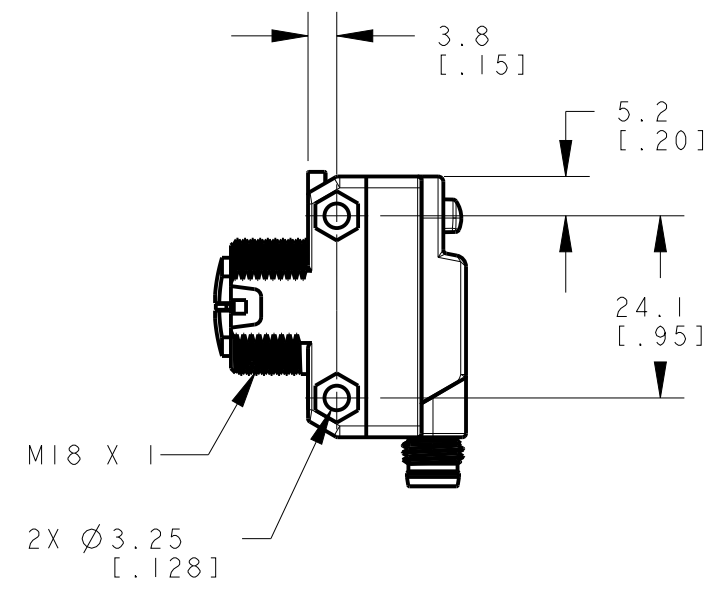
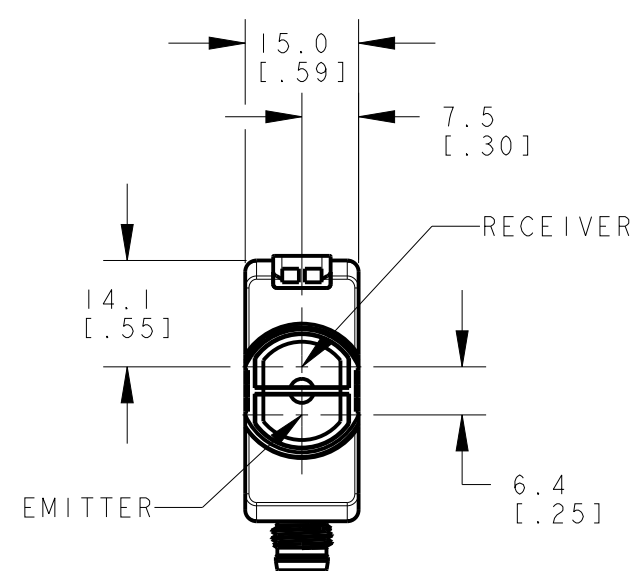
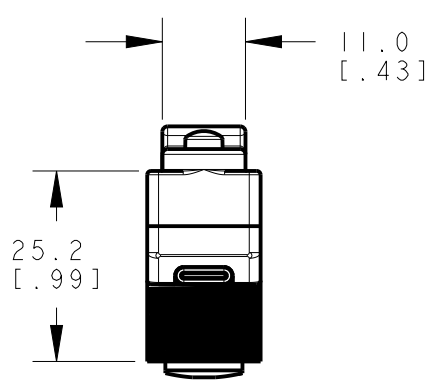
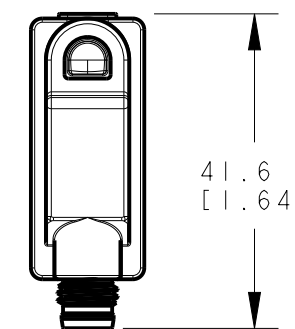


ISOMETRIC VIEW
SCALE 1:1



NOTE: QD INSERT PINS NOT SHOWN

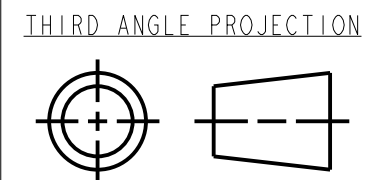
This drawing is the property of BANNER ENGINEERING CORP. Any use or reproduction, in any form, without prior written permission of Banner is prohibited. © 2015 Banner Engineering Corp.

BANNER BANNER ENGINEERING CORP.
www.bannerengineering.com

TITLE
OS18 EXPERT CV45 NICKEL PICO OD

SIZE B	DRAWING NO. 200053	REV. A
-----------	------------------------------	------------------

SCALE 1:1 SHEET 1 OF 1 CREO



NOTES:
1. ALL DIMENSIONS ARE MILLIMETERS [INCHES] UNLESS OTHERWISE NOTED.
2. REFER TO "www.bannerengineering.com" FOR ADDITIONAL DATA AND SPECIFICATIONS.