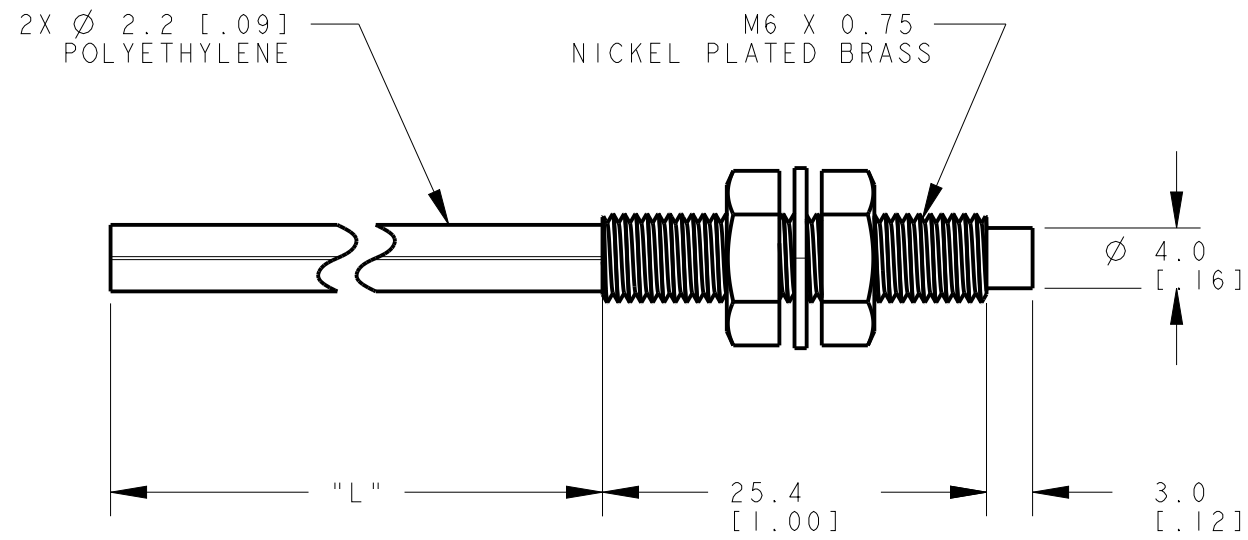
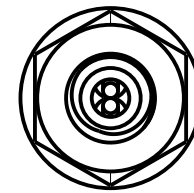


8	7	6	5	4	3	2	1
MODEL NO.	"L"	P/N					
PBT46UMI	2000 [79]	29051					



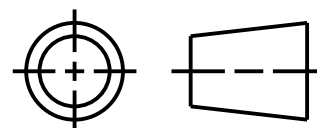
2X \varnothing 1.00
[.04]
FIBER CORES



- NOTES:
 1. ALL DIMENSIONS ARE MILLIMETERS [INCHES] UNLESS OTHERWISE NOTED.
 2. REFER TO "www.bannerengineering.com" FOR ADDITIONAL DATA AND SPECIFICATIONS.

This drawing is the property of BANNER ENGINEERING CORP. Any use or reproduction, in any form, without prior written permission of Banner is prohibited.
 © 2015 Banner Engineering Corp.

THIRD ANGLE PROJECTION



		BANNER ENGINEERING CORP. www.bannerengineering.com	
TITLE PBT4 1in. FERRULE UNTERMINATED			
SIZE B	DRAWING NO. 193993	REV. I	
SCALE 2:1		SHEET 1 OF 1	

CREO