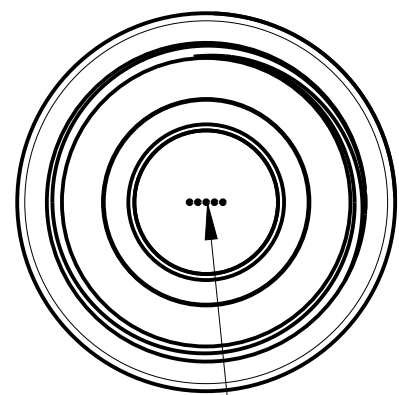
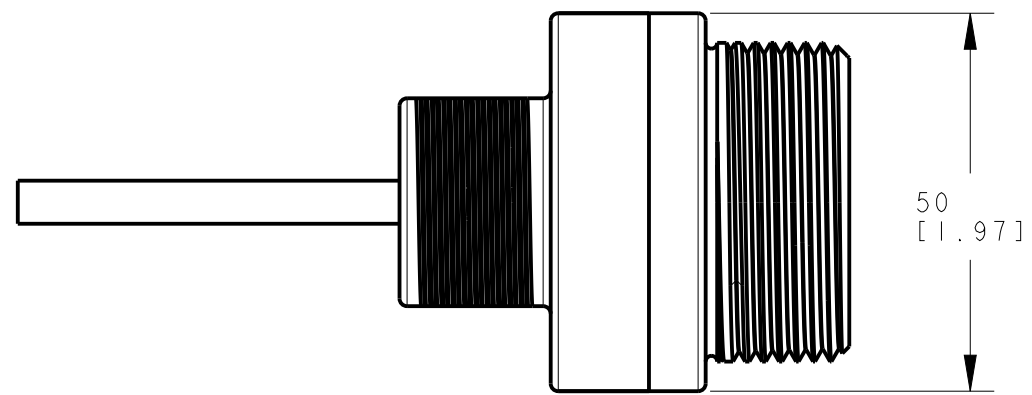
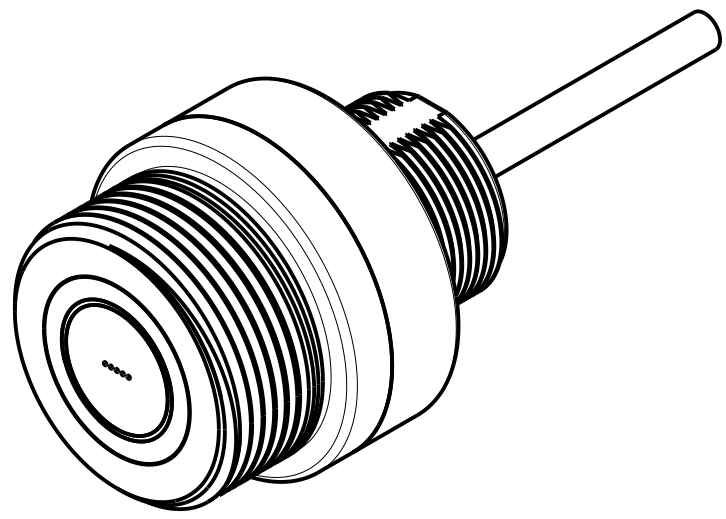
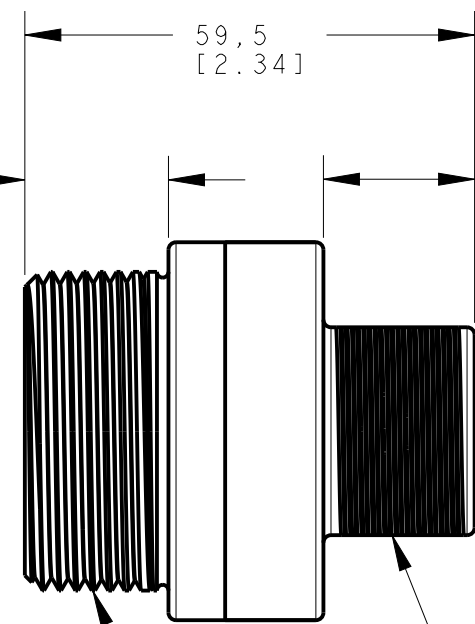


8 | 7 | 6 | 5 | 4 | 3 | 2 | 1

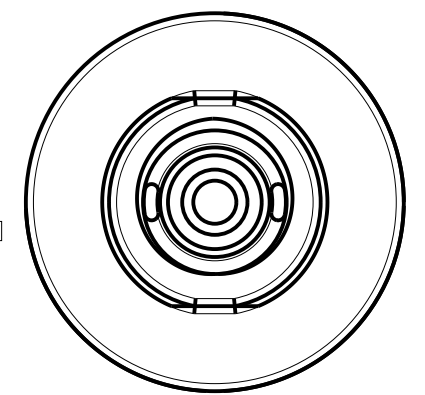


19  
[.75]



20  
[.79]

27,5  
[1.08]



TRANSDUCER

1-1/4 - 11-1/2 NPT

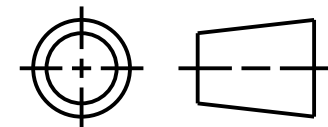
M30 X 1.5-6g

This drawing is the property of BANNER ENGINEERING CORP. Any use or reproduction, in any form, without prior written permission of Banner is prohibited. © 2015 Banner Engineering Corp.



BANNER ENGINEERING CORP.  
www.bannerengineering.com

THIRD ANGLE PROJECTION



TITLE  
**K50UX**

SIZE B DRAWING NO. **193165** REV. **A**

SCALE 1:1 SHEET 1 OF 1

NOTES:  
1. ALL DIMENSIONS ARE MILLIMETERS [INCHES] UNLESS OTHERWISE NOTED.  
2. REFER TO "www.bannerengineering.com" FOR ADDITIONAL DATA AND SPECIFICATIONS.

8 | 7 | 6 | 5 | 4 | 3 | 2 | 1 | CREO