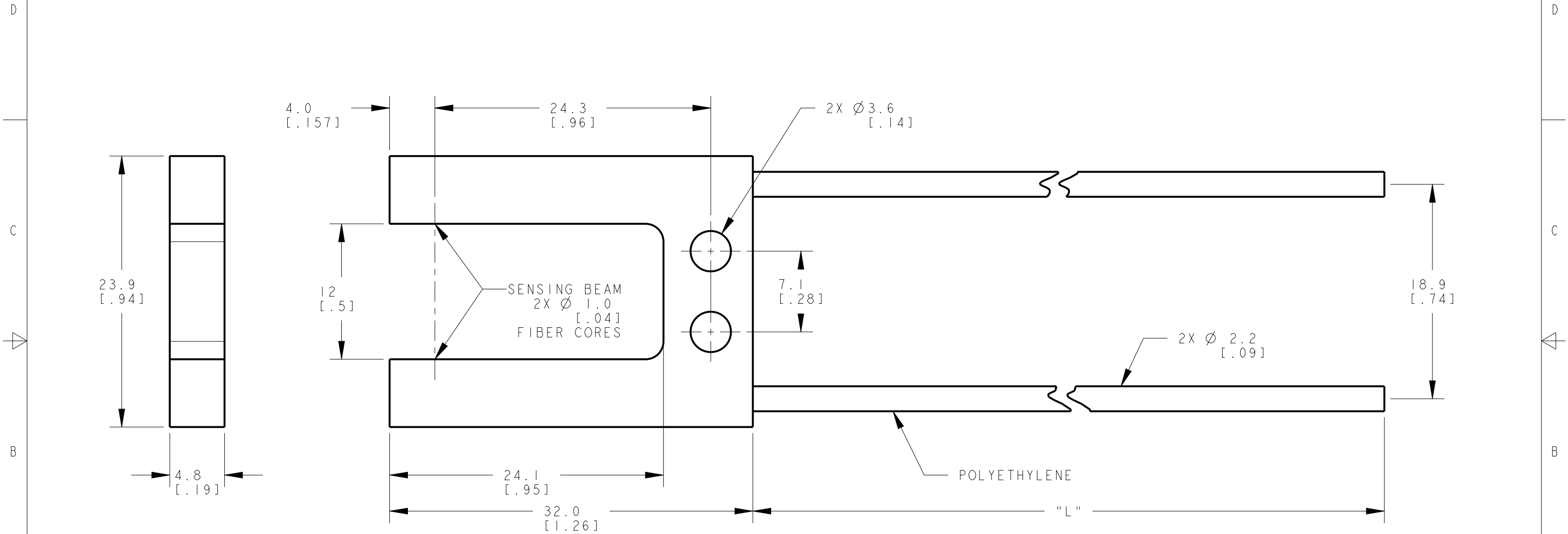


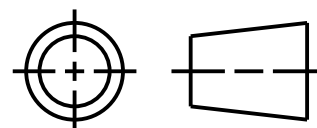
8	7	6	5	4	3	2	1
MODEL NO.	"L"	P/N	SUFFIX 'HF' DENOTES HIGH-FLEX FIBER CABLE - VERY SMALL BEND RADIUS PERMISSIBLE BEFORE TRANSMISSION LOSS.				
PDIS46UHFM12	2000 [79]	56094					
PDIS430UHFM12	10000 [394]	76186					



NOTES:
 1. ALL DIMENSIONS ARE MILLIMETERS [INCHES] UNLESS OTHERWISE NOTED.
 2. REFER TO "www.bannerengineering.com" FOR ADDITIONAL DATA AND SPECIFICATIONS.

This drawing is the property of BANNER ENGINEERING CORP. Any use or reproduction, in any form, without prior written permission of Banner is prohibited. © 2015 Banner Engineering Corp.

THIRD ANGLE PROJECTION



BANNER BANNER ENGINEERING CORP.
 www.bannerengineering.com

TITLE
PDIS4 M12 SERIES UNTERMINATED

SIZE B DRAWING NO. **192754** REV. **A**

SCALE 3:1 SHEET 1 OF 1

CREO