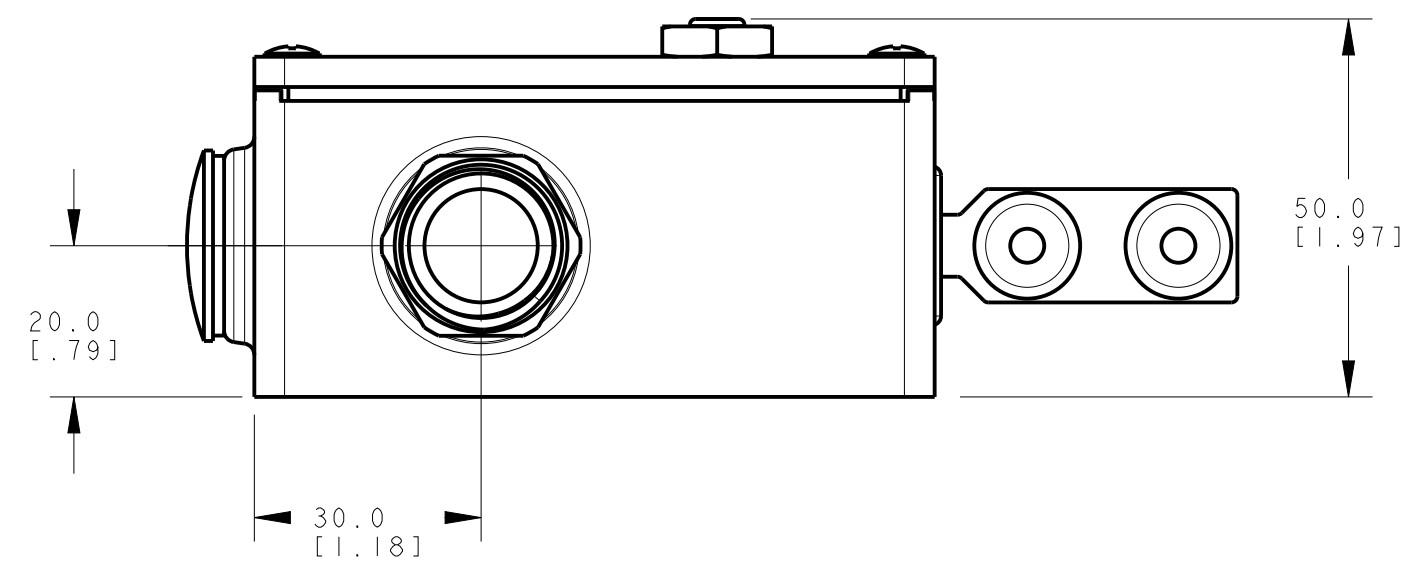
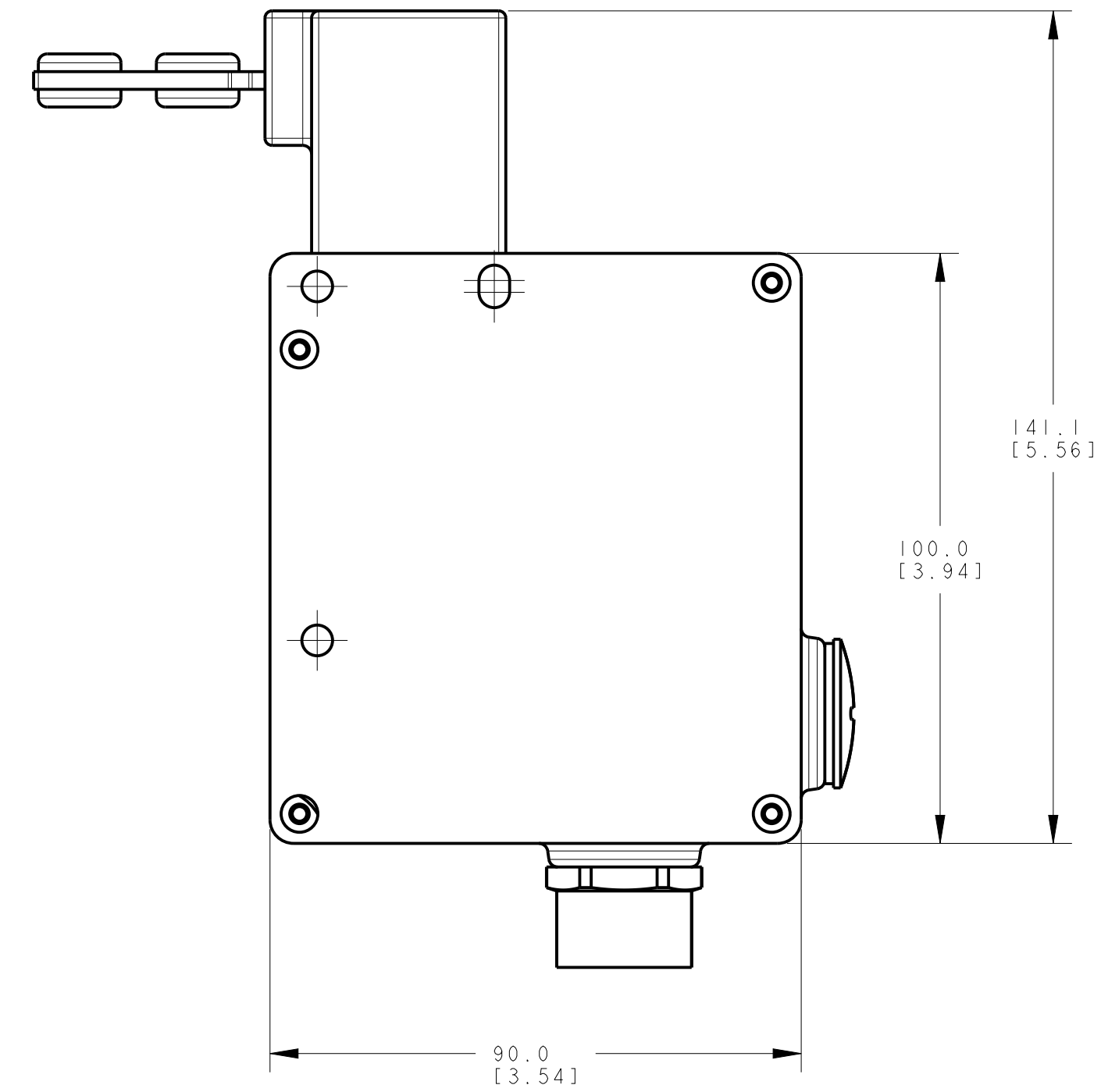
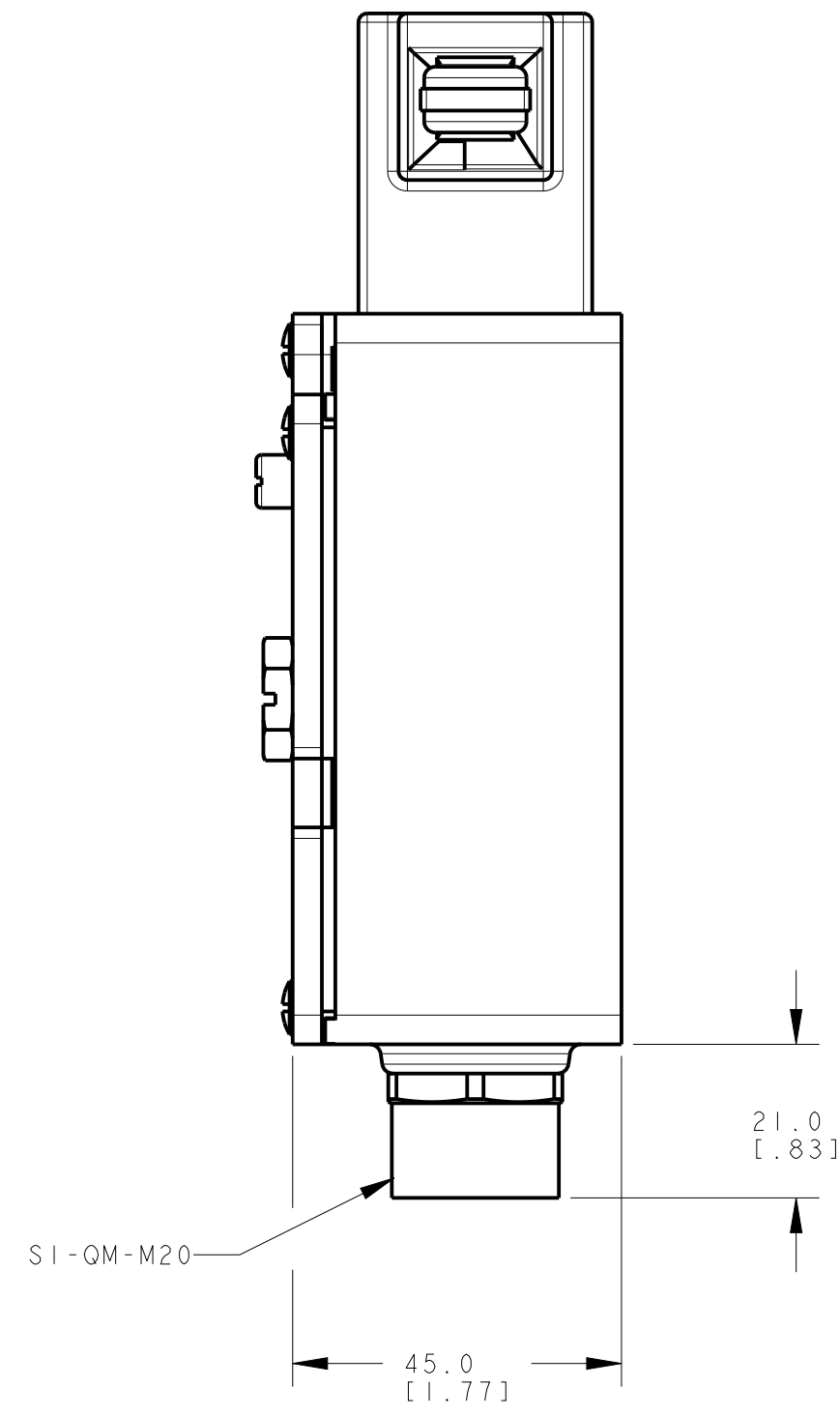
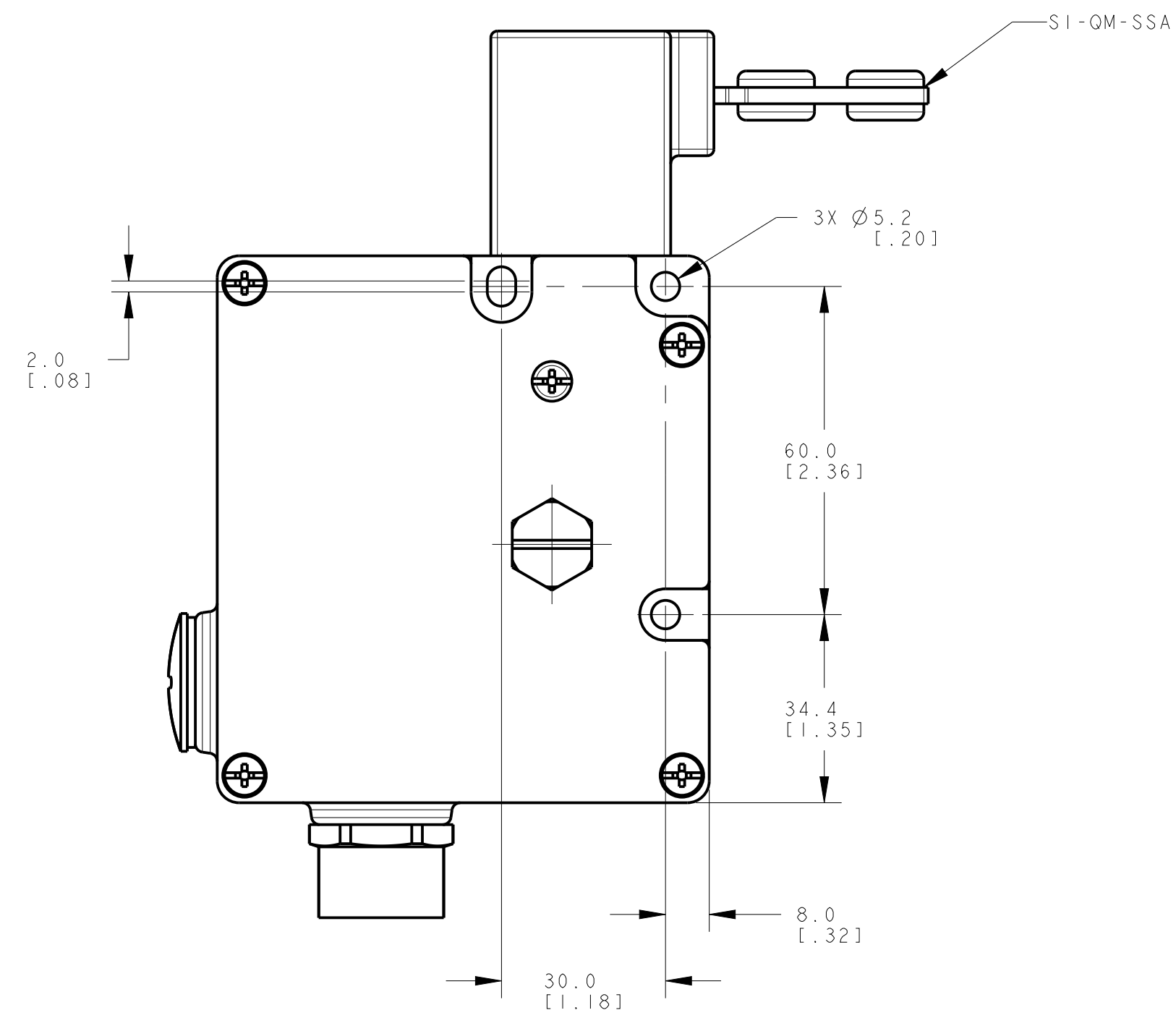
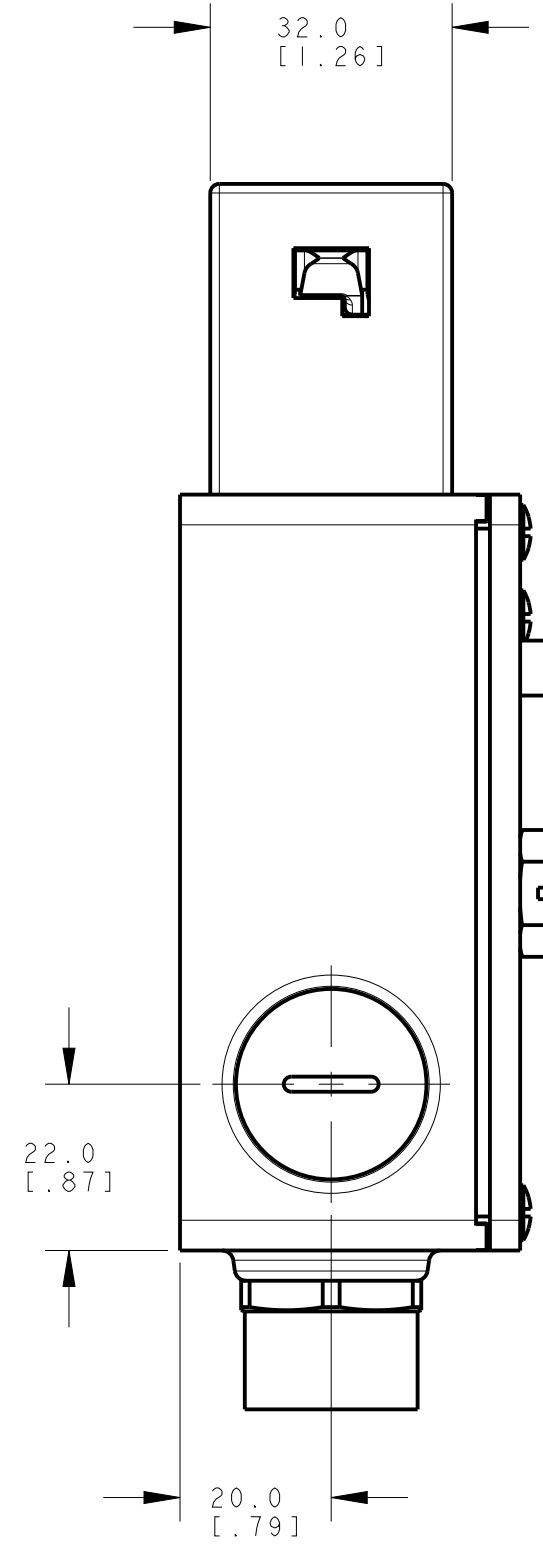
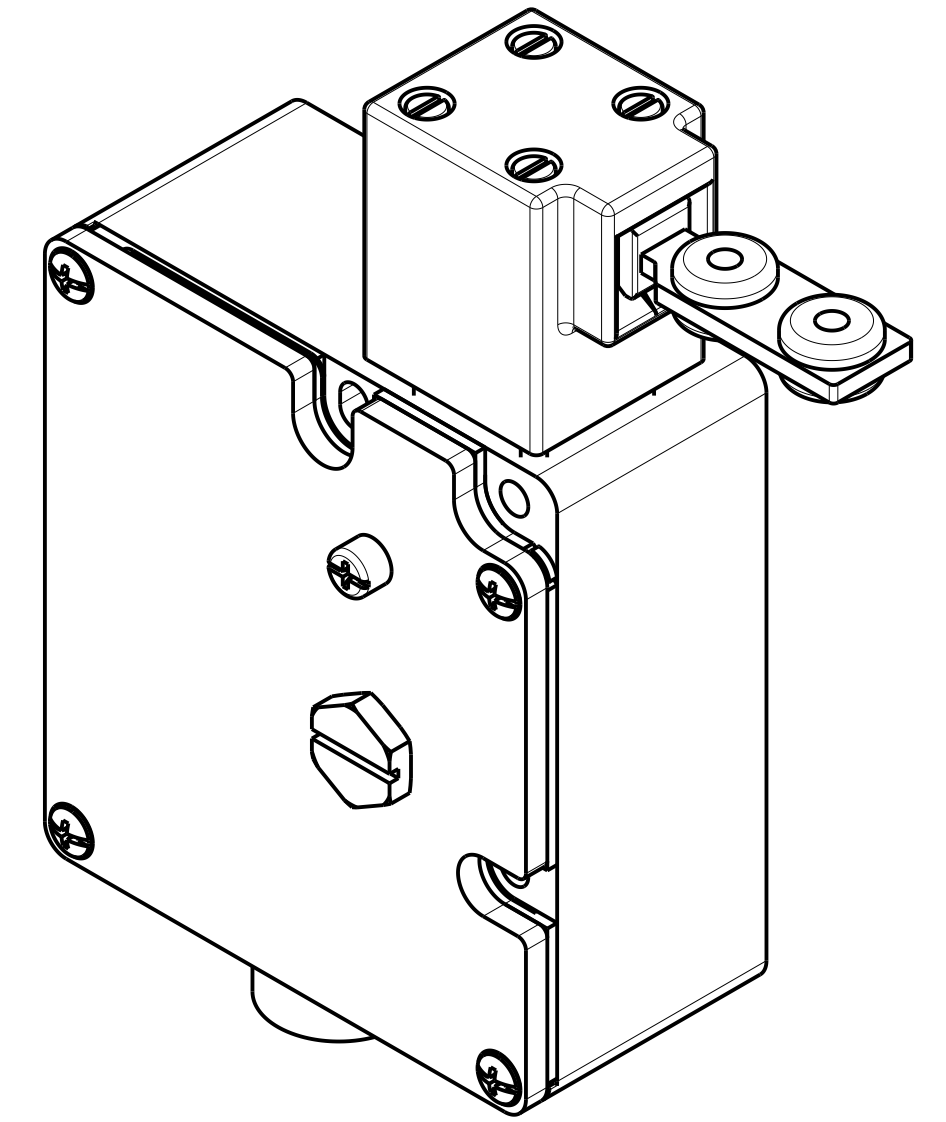
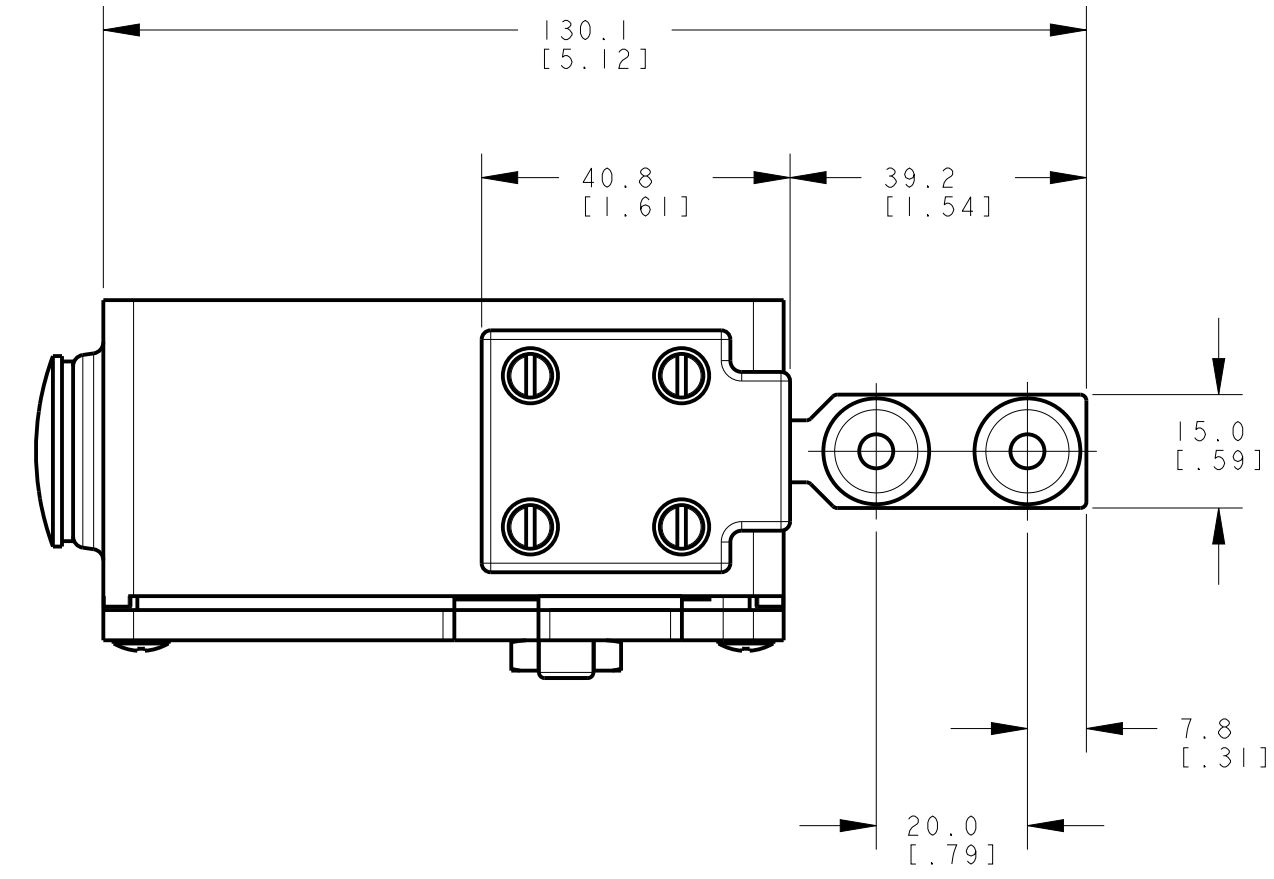
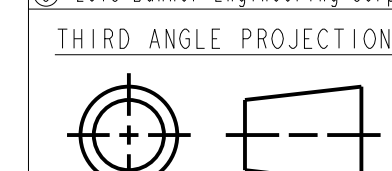


NOTE:  
 CONDUIT ADAPTER (S1-QM-M20) SHOWN IN BOTTOM PORT.  
 THIS PART MAY BE INSTALLED IN THE PORT ON SIDE OF SWITCH ALSO.



NOTES:  
 1. ALL DIMENSIONS ARE MILLIMETERS [INCHES] UNLESS OTHERWISE NOTED.  
 2. REFER TO "www.bannerengineering.com" FOR ADDITIONAL DATA AND SPECIFICATIONS.

<small>This drawing is the property of BANNER ENGINEERING CORP. Any use or reproduction, in any form, without prior written permission of Banner is prohibited. © 2015 Banner Engineering Corp.</small>		<b>BANNER</b> BANNER ENGINEERING CORP. <small>www.bannerengineering.com</small>	
TITLE <b>S1-QM100 SERIES</b>			
SIZE D	DRAWING NO. <b>192746</b>	REV. <b>A</b>	
SCALE 1:1	SHEET 1 OF 1		



CREO