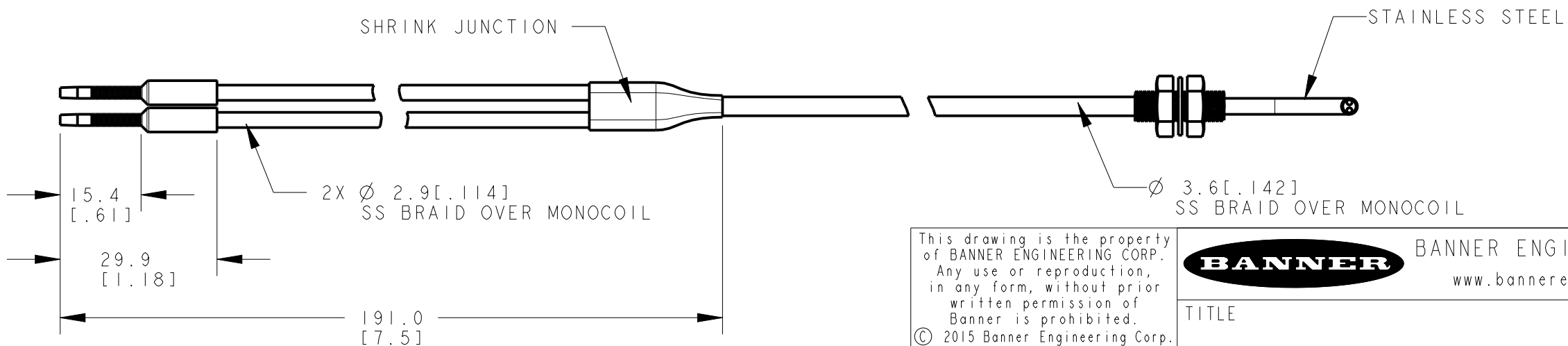
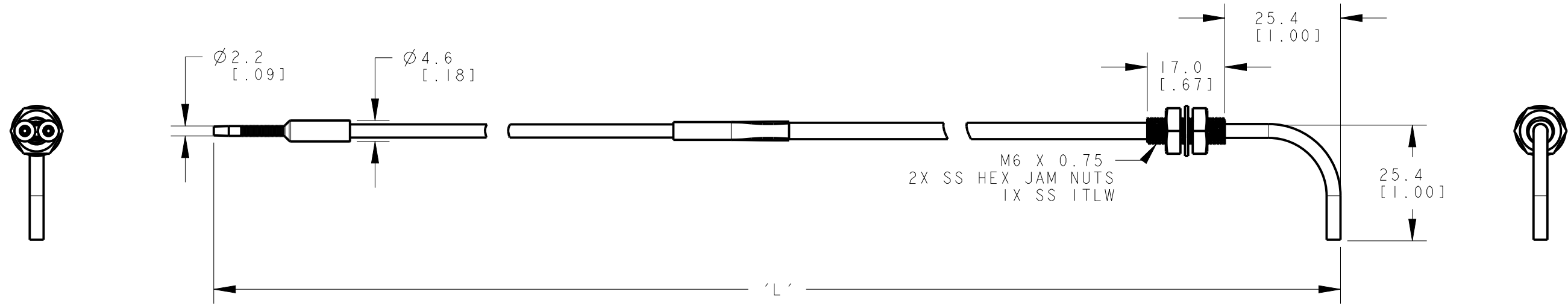


MODEL NO.	"L"	P/N
PBTA410TMB5	3048 [120]	96121
PBTA415TMB5	4572 [180]	96122
PBTA46TMB5	2000 [79]	70892
PBTA43TMB5	1000 [39]	70891



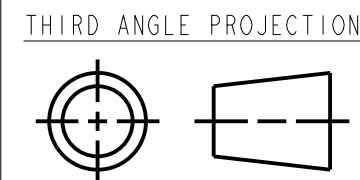
This drawing is the property of BANNER ENGINEERING CORP. Any use or reproduction, in any form, without prior written permission of Banner is prohibited. © 2015 Banner Engineering Corp.

BANNER BANNER ENGINEERING CORP.
www.bannerengineering.com

TITLE
PBTA4 SERIES TERMINATED STEEL SKIN

SIZE B DRAWING NO. **188727** REV. **A**

SCALE 1:1 SHEET 1 OF 1 CREO



NOTES:
1. ALL DIMENSIONS ARE MILLIMETERS [INCHES] UNLESS OTHERWISE NOTED.
2. REFER TO "www.bannerengineering.com" FOR ADDITIONAL DATA AND SPECIFICATIONS.