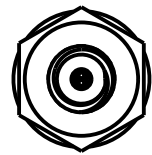
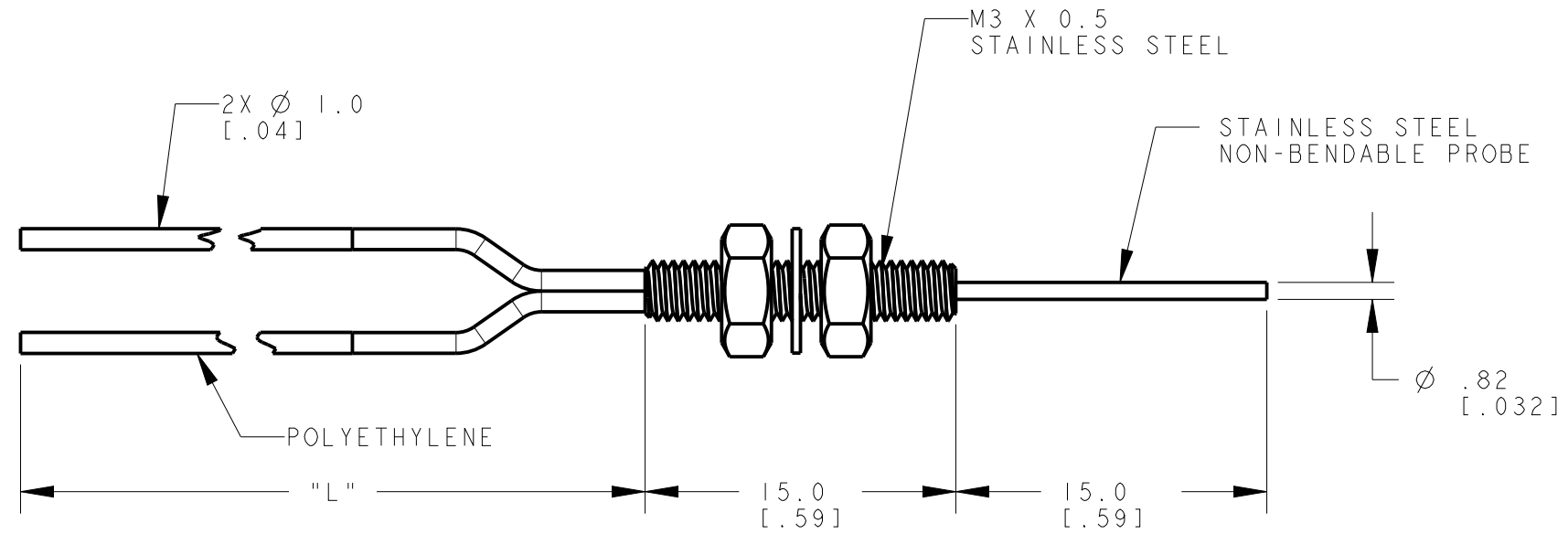


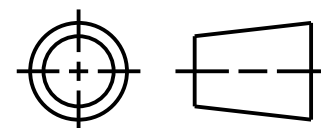
MODEL NO.	"L"	P/N
PBFMI15U	5000 [197]	48035
PBFMI6U-80647	2000 [79]	80647
PBFMI6U	2000 [79]	39115



NOTES:  
 1. ALL DIMENSIONS ARE MILLIMETERS [INCHES] UNLESS OTHERWISE NOTED.  
 2. REFER TO "www.bannerengineering.com" FOR ADDITIONAL DATA AND SPECIFICATIONS.

This drawing is the property of BANNER ENGINEERING CORP. Any use or reproduction, in any form, without prior written permission of Banner is prohibited. © 2015 Banner Engineering Corp.

THIRD ANGLE PROJECTION



		BANNER ENGINEERING CORP.	
		www.bannerengineering.com	
TITLE			
<b>PBFMI SERIES UNTERMINATED</b>			
SIZE B	DRAWING NO. <b>188724</b>	REV. <b>A</b>	
SCALE 3:1	SHEET 1 OF 1		CREO