

8

7

6

5



4

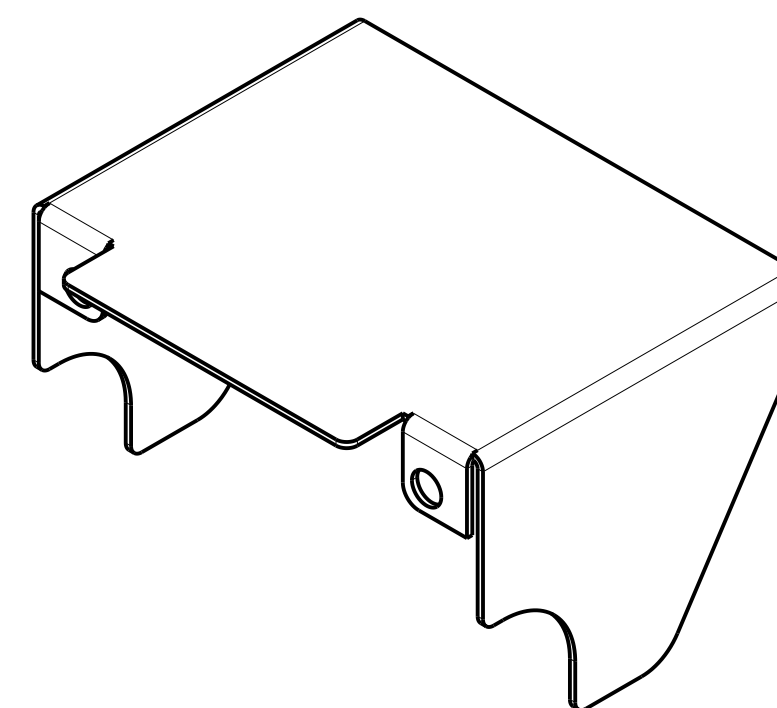
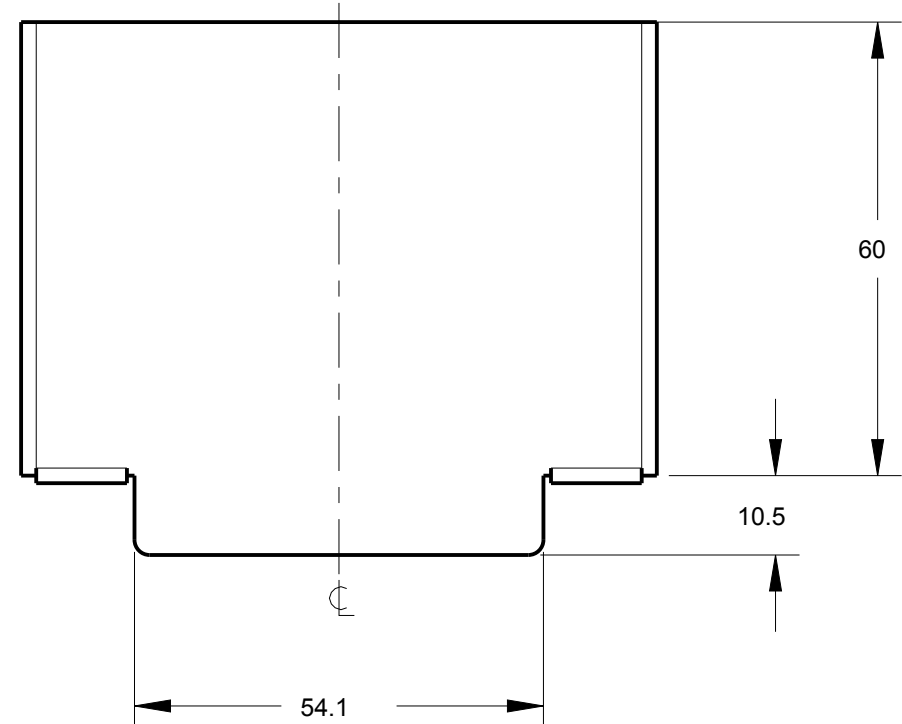
3

2

1

D

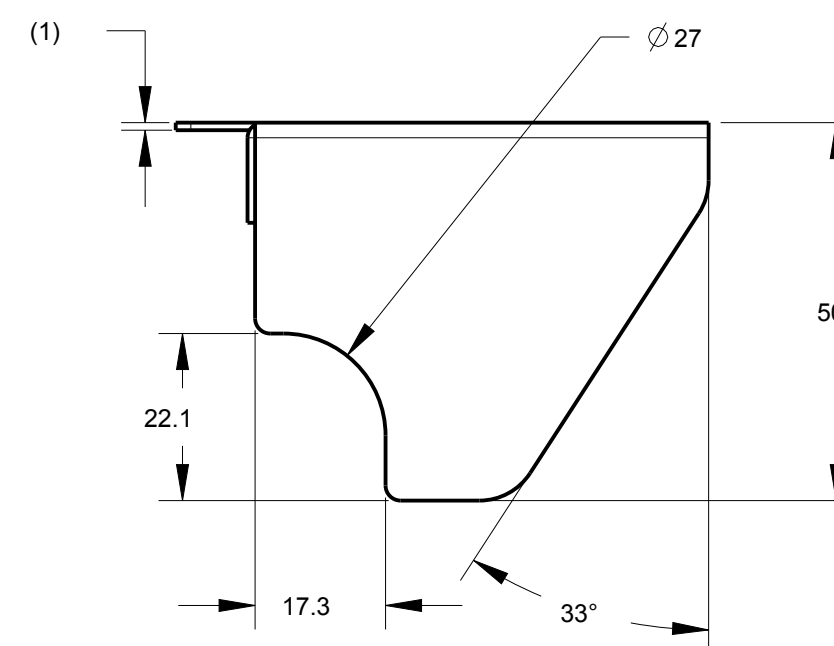
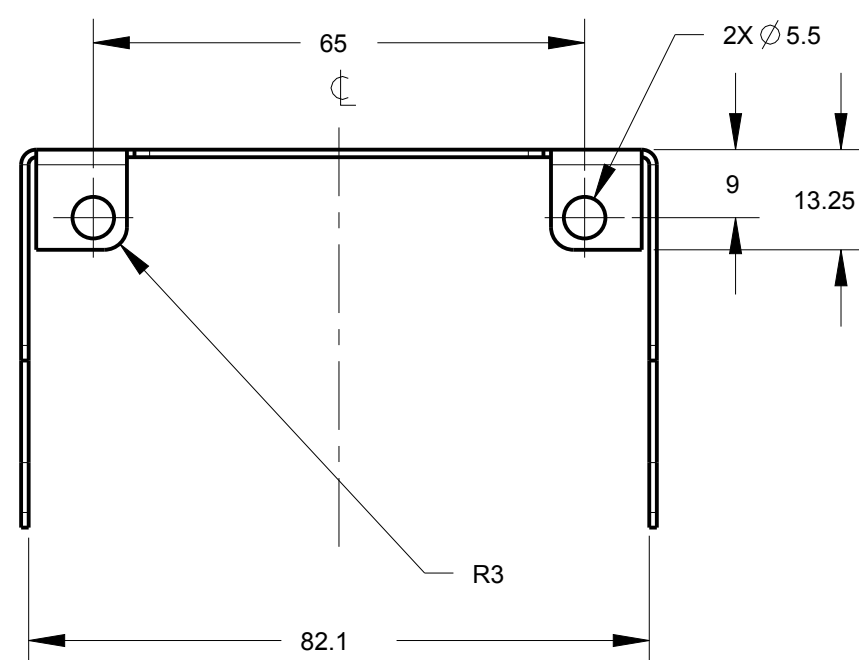
D



ISOMETRIC VIEW
SCALE 1:1

C

C



B

B

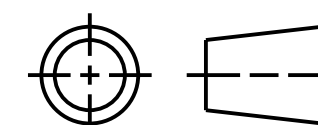
A

A

NOTES:
1. ALL DIMENSIONS ARE MILLIMETERS [INCHES] UNLESS OTHERWISE NOTED.

This drawing is the property
of BANNER ENGINEERING CORP.
and is proprietary in general
and in detail. Its contents
shall not be revealed to
outside parties without
written consent of BANNER.

THIRD ANGLE PROJECTION



BANNER ENGINEERING CORP.
P.O. BOX 9414
MINNEAPOLIS, MN 55440

TITLE
K80DS-2P
WEB CAD DRAWINGS 2D/3D

SIZE C	DRAWING NO. 171724	REV. A
SCALE 1:1	SHEET 1 OF 1	

8

7

6

5



4

3

2

1

PRO/E