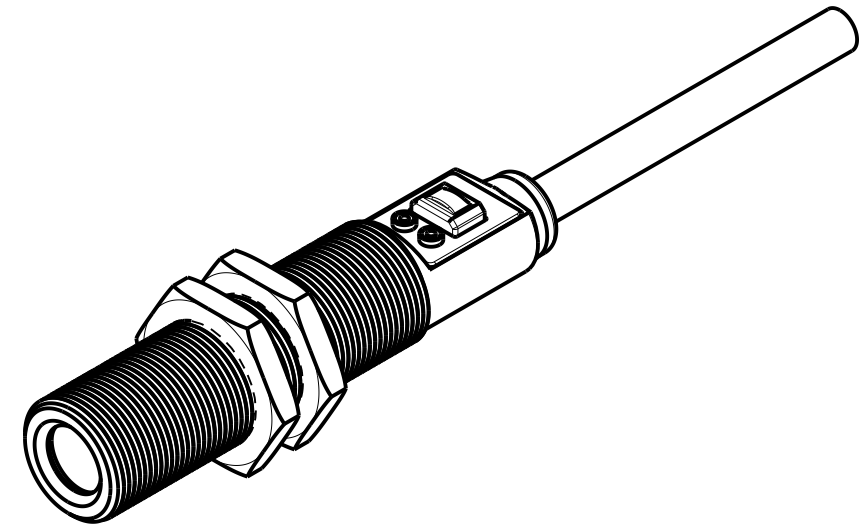
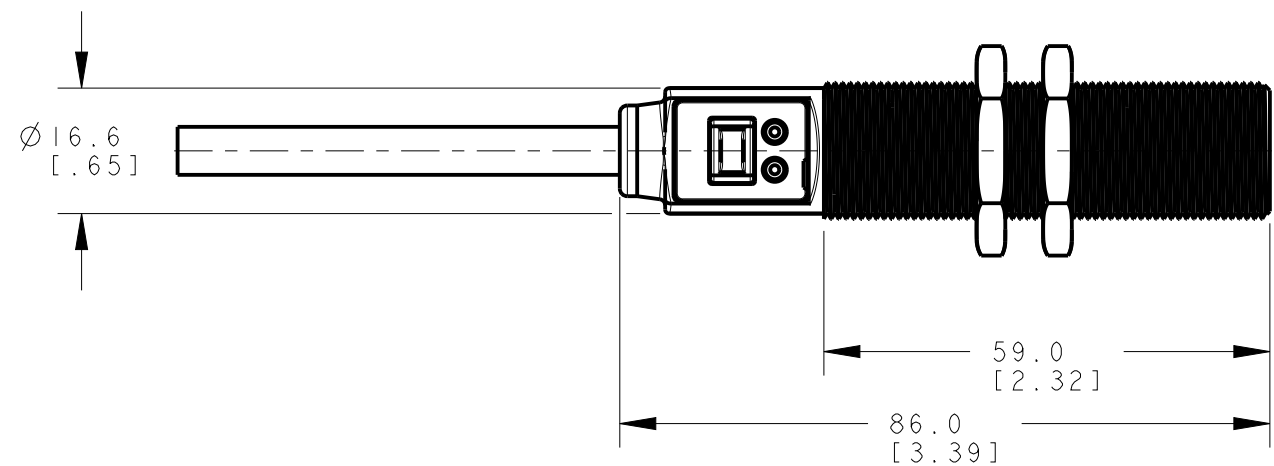


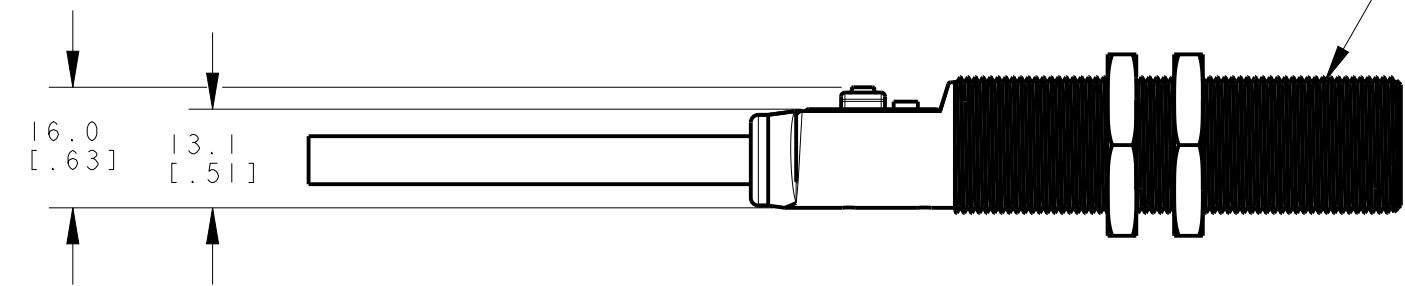
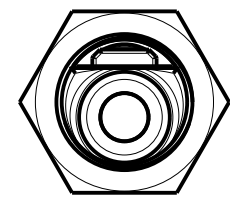
8 | 7 | 6 | 5 | 4 | 3 | 2 | 1

D  
C  
B  
A

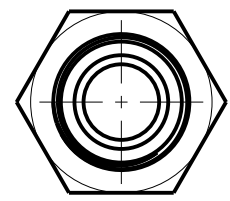
D  
C  
B  
A



ISOMETRIC VIEW  
SCALE 1:1

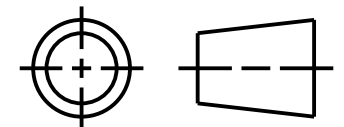


M18 X 1-6g



This drawing is the property of BANNER ENGINEERING CORP. Any use or reproduction, in any form, without prior written permission of Banner is prohibited. © 2015 Banner Engineering Corp.

THIRD ANGLE PROJECTION



		BANNER ENGINEERING CORP.	
		www.bannerengineering.com	
TITLE			
<b>M18TB14</b>			
SIZE	DRAWING NO.	REV.	
B	<b>159657</b>	<b>A</b>	
SCALE 1:1		SHEET 1 OF 1	

NOTES:  
 1. ALL DIMENSIONS ARE MILLIMETERS [INCHES] UNLESS OTHERWISE NOTED.  
 2. REFER TO "www.bannerengineering.com" FOR ADDITIONAL DATA AND SPECIFICATIONS.

8 | 7 | 6 | 5 | 4 | 3 | 2 | 1 | CREO