

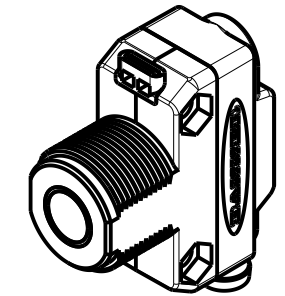
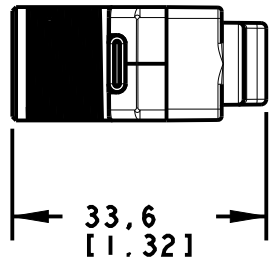
8 7 6 5 4 3 2 1

D

C

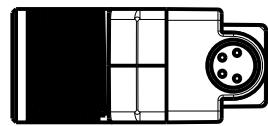
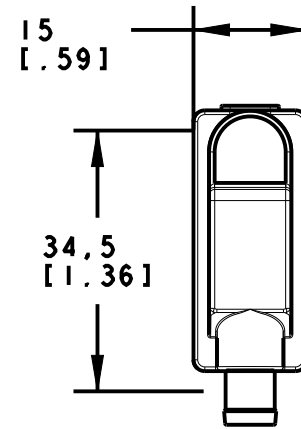
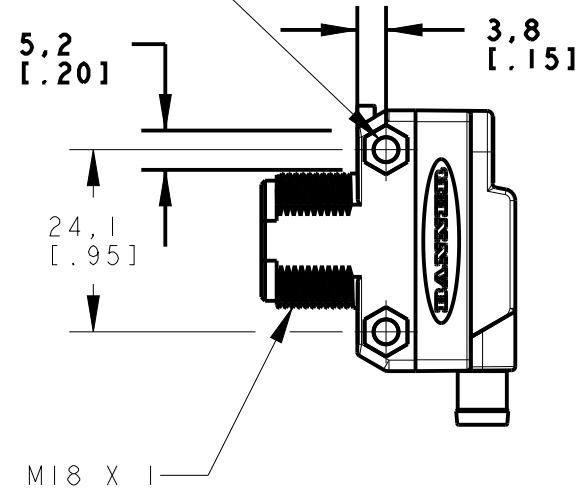
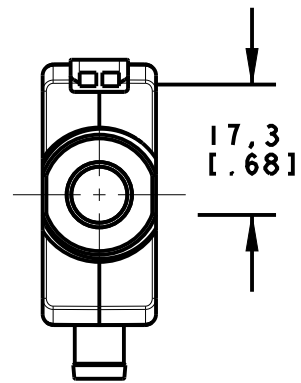
B

A



ISOMETRIC VIEW  
SCALE 1:1

2X Ø3.3  
[.13]  
(MAX TORQUE 8 IN LBS)

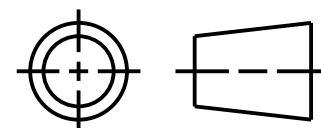


This drawing is the property of BANNER ENGINEERING CORP. Any use or reproduction, in any form, without prior written permission of Banner is prohibited. © 2015 Banner Engineering Corp.



BANNER ENGINEERING CORP.  
www.bannerengineering.com

THIRD ANGLE PROJECTION



TITLE  
**OS18UNAE07  
WEB CAD DRAWINGS 2D/3D**

SIZE B	DRAWING NO. <b>148173</b>	REV.
-----------	------------------------------	------

SCALE 1:1	SHEET 1 OF 1
--------------	-----------------

NOTES:  
1. ALL DIMENSIONS ARE MILLIMETERS [INCHES] UNLESS OTHERWISE NOTED.  
2. REFER TO "www.bannerengineering.com" FOR ADDITIONAL DATA AND SPECIFICATIONS.

8 7 6 5 4 3 2 1 CREO