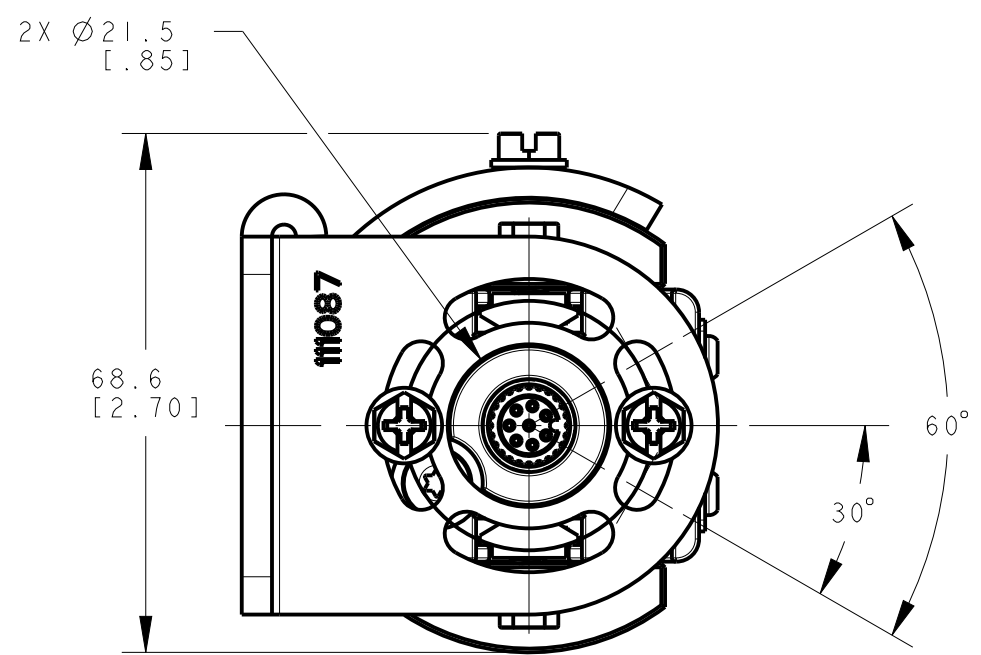
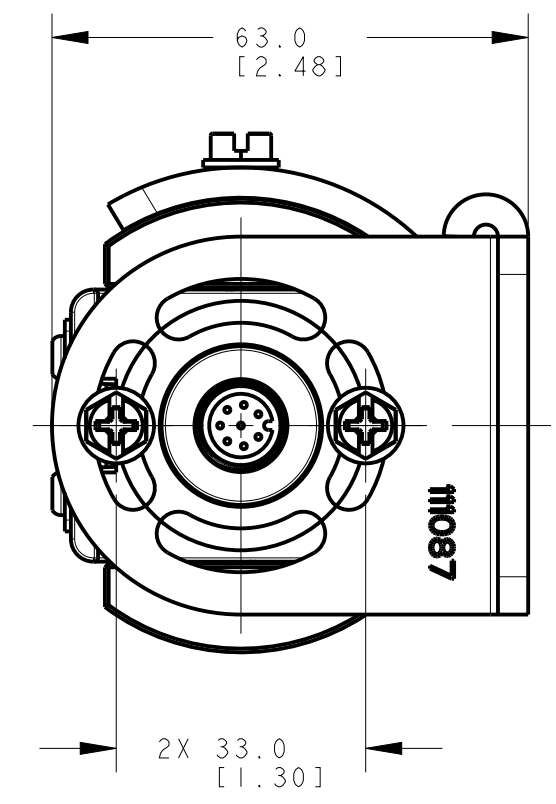
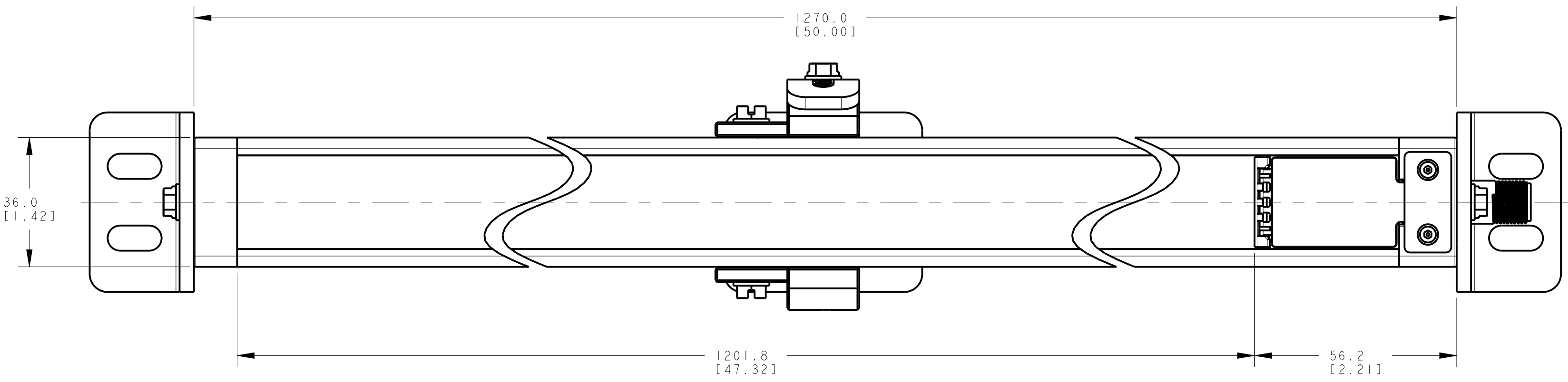
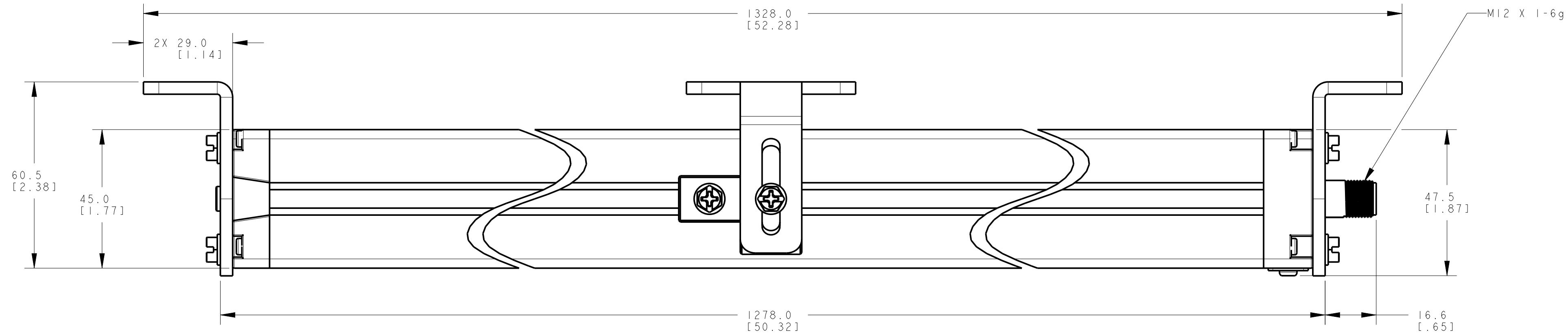
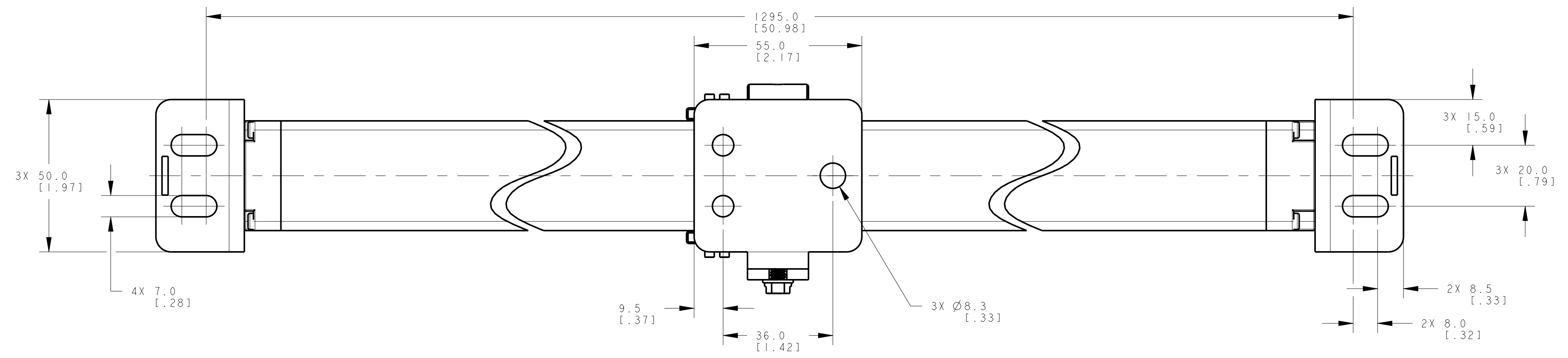


ISOMETRIC VIEW
SCALE 1:4



NOTES:
1. ALL DIMENSIONS ARE MILLIMETERS [INCHES] UNLESS OTHERWISE NOTED.
2. REFER TO "www.bannerengineering.com" FOR ADDITIONAL DATA AND SPECIFICATIONS.

This drawing is the property of BANNER ENGINEERING CORP. Any use or reproduction in any form, without prior written permission of Banner is prohibited.
© 2015 Banner Engineering Corp.

BANNER BANNER ENGINEERING CORP.
www.bannerengineering.com

TITLE
**EZ-SCREEN Cascade SLSC/EA 1200mm OD
WEB CAD DRAWINGS 2D/3D**

THIRD ANGLE PROJECTION

SIZE D	DRAWING NO. 139540	REV. A
SCALE 1:1	SHEET 1 OF 1	

CREO